

# KOLBE<sup>TM</sup>

WINDOWS & DOORS

**VISTALUXE  
CASEMENT, AWNING,  
PICTURE WINDOW  
& DIRECT SET**

**INSTALLATION  
INSTRUCTIONS**

**READ THESE INSTRUCTIONS COMPLETELY BEFORE  
ATTEMPTING ANY INSTALLATION**

**⚠ CAUTION**

Lead-based paint may be present in older homes, and the removal of windows & doors may cause this paint to be disturbed. In order to minimize exposure to lead-based paint dust, please consult [www.epa.gov/lead](http://www.epa.gov/lead) for more information.

[www.kolbewindows.com](http://www.kolbewindows.com)

**NOTICE**

Failure to install and maintain our product according to these instructions will void any warranty, written or implied. The installer is responsible for consulting the contractor, structural engineer, architect, or consumer, for proper installation according to local codes and/or ordinances.

**⚠ WARNING**

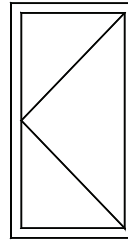
Proper Eye and Hearing Protection must always be worn when installing, removing or performing adjustments to Kolbe window and door products.

**⚠ WARNING**

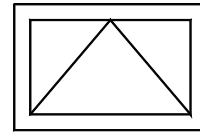
Improper use of hand/power tools could result in personal injury and/or product damage. Follow manufacturer's instructions for safe operation of equipment.

**NOTICE**

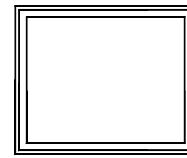
Before applying sealant or adhesive pads, make sure the area to be sealed is clean, dry, and frost-free. Use color-matching or transparent sealant. Photos show contrasting sealant for clarity and demonstration only.



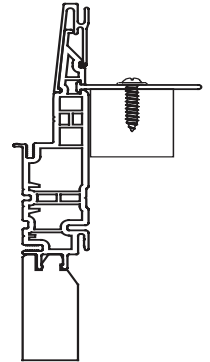
Casement



Awning



Picture Window



**INTRODUCTION**

These instructions are for installing VistaLuxe Casement, Awning, Picture & Direct Set windows into a wood or concrete/masonry wall. The instructions cover all frame styles; Accent, Flush and Accent Plus. The rough opening must be lined with 1-1/2" (38mm) thick wood buck. Contact your Kolbe window & door supplier for more information on installing units into other wall conditions. Please visit our website at [www.kolbewindows.com](http://www.kolbewindows.com) for additional literature and information.

**ITEMS REQUIRED BY INSTALLER**

- Hearing protection device
- Sealant
- Level
- Hammer
- Tape measure
- Phillips head screwdriver
- Flashing tape
- Putty knife
- Closed cell foam backer rod in 1/2" (13mm) diameter and 1" (25mm) diameter
- Safety glasses/goggles
- Caulk gun
- Square
- Shims
- Flat head screwdriver
- Power drill
- Fiberglass insulation

For temporary nailing through the nailing fin only:

- 1-1/2" (38mm) or longer galvanized roofing nails

For installation technique 1:

- Kolbe installation clips
- #7 x 5/8" (16mm) flat head screws
- #8 x 1-3/4" (44mm) flat head screws or 8d common nails

For installation technique 2:

- 9/64" (4mm) drill bit
- #10 x 2-1/2" (64mm) flat head screws

**PRELIMINARY PREPARATION**

Remove the shipping packaging, skid plates or factory applied bracing by removing the screws through the nailing fin, see profile picture above. Place window exterior side up on a clean, flat work surface. Make sure the unit is not damaged and the dimensions are appropriate for the rough opening. Check that you have all necessary hardware.

**PREPARE ROUGH OPENING:**

1. The material/lumber quality and fasteners must be structurally adequate for design load requirements.
2. Typically, the rough opening should be sized 1/2" (13) wider and 1/2" (13) higher than the outside measurement of the window frame. The masonry opening should typically be sized 1/2" (13) wider and 9/16" (14) higher than the nosing.
3. The rough opening must be plumb, square, level and in plane.
4. Individual construction members should not be twisted.
5. The sill plate beneath the unit must be level for proper unit operation.

A brick, stone, marble or concrete face installed up against the window sill could cause the unit to become inoperable.

**⚠ CAUTION**

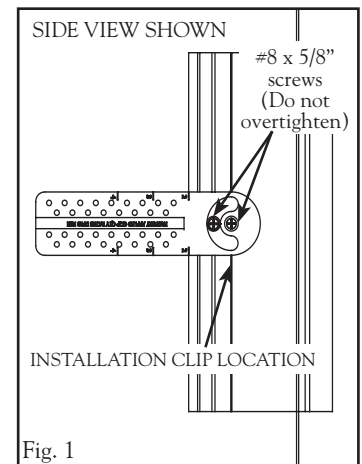
When installing into a wall with exterior rigid foam insulation panels, place solid blocking material behind the nail fin to provide proper support when fastening the unit.

## SELECT INSTALLATION TECHNIQUE

These techniques are general guidelines only, and may not be appropriate for all performance requirements. See the Installation Anchor Calculator on our website to help determine whether to use installation clips (technique #1) or to screw through the frame (technique #2). Kolbe recommends using installation clips. Screwing through the frame may be required with some mullion situations.

As an option, installation clips are available factory applied to meet a DP 20 (Design Pressure 20 psi) rating. Additional installation clips must be field applied if a higher DP rating is required. Follow the spacing determined by the Installation Anchor Calculator. For more detailed information, follow the instructions provided with your Kolbe installation clips.

See Fig. 1. Fasten the installation clips to the frame head, sides and sill now using two #7 x 5/8" (16mm) flat head screws per clip.

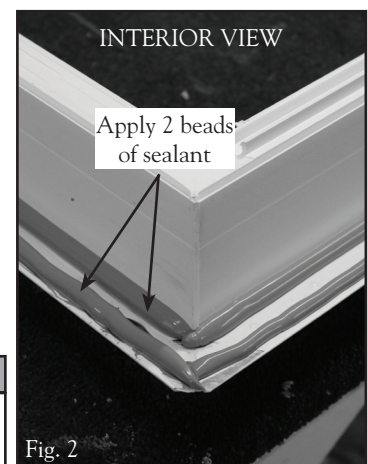


## SEALANT AND FLASHING

Kolbe recommends following ASTM E 2112 guidelines for sealing and flashing exterior windows. For more details, see our pamphlets Sealant Information and Flashing Information. These publications are available from your Kolbe window and door supplier or visit our website at [www.kolbewindows.com](http://www.kolbewindows.com) to download a copy.

See Fig. 2. Apply a 3/16" (5mm) continuous tooled bead of sealant around the perimeter of the unit on the interior (backside) of the window where the jambs and the nailing fin form a 90 degree angle as shown in Fig. 2.

Apply a second bead of sealant 3/8" (10mm) in from the outside edge of the nailing fin around the perimeter of the unit.



### ⚠ CAUTION

Before applying sealant, make sure the area to be sealed is clean, dry, and frost-free. Use color-matching or transparent sealant.

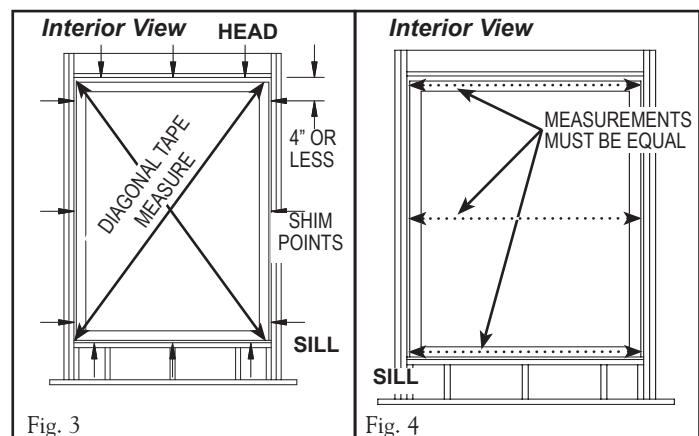
## INSTRUCTIONS FOR BOTH TECHNIQUES

From the exterior, carefully tilt unit in rough opening, sill first. Press the brickmould or the nailing fin evenly against the exterior sheathing. Center unit in the rough opening.

See Fig. 3. Shim along the head, sill, and side jambs at 4" (102) from the corners/ends, and every 8" (203) on center between. Do not over shim!

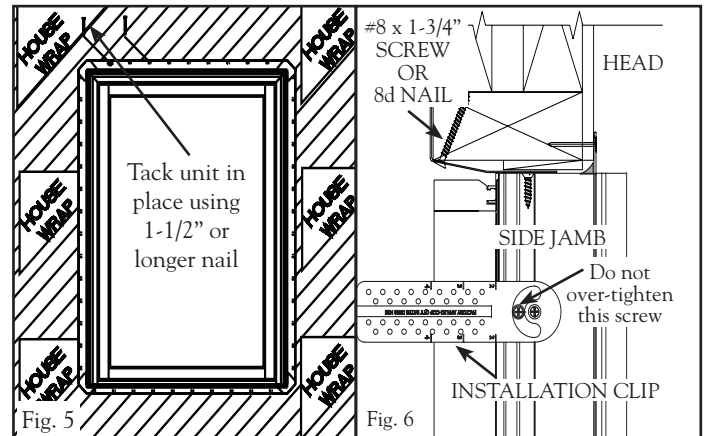
See Fig. 3 & 4. Measure the frame diagonally as shown in fig. 3. The measurements must be within 1/16" (2mm) of each other. Take three separate measurements between the side jambs as shown in fig. 4. These measurements should be the same. Adjust the shims if necessary until the window is square and level.

Temporarily fasten window in opening through the nail fin slots. In addition you must follow Technique #1 or Technique #2 for permanent fastening.



Double-check the unit to ensure the sill is level and straight. Plumb the exterior side jambs and level the exterior head jamb. Adjust the shims if necessary. Again, make sure the unit is square.

See Fig. 5. When nailing through the nailing fin to temporarily tack the unit in place, use 1-1/2" (38mm) or longer galvanized roofing nails. Double-check to ensure the sill is level and straight. Plumb exterior side jambs and level exterior head jamb. Adjust shims if necessary. Nail in the first pre-punched hole from each corner/end, then in every third hole along the head, sill and sides. The head of the fastener should not compress the nailing fin, causing it to warp. Again, make sure unit is square.



**CAUTION**  
Over-tightening installation clips may distort the frame components and break the sealant joints.

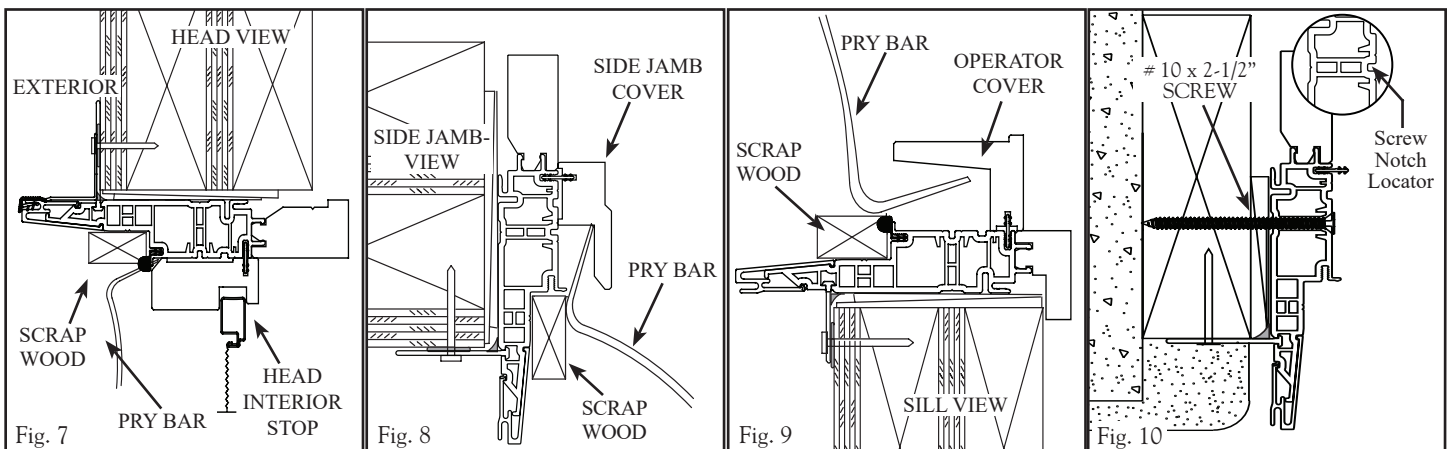
**Technique #1: Kolbe Installation Clips**

See Fig. 6. Shim on both sides of every installation clip to prevent the frame from bowing. Starting with an interior upper corner, bend clips around the rough opening frame and fasten using one #8 x 1-3/4" (44mm) flat head screw or two 8d common nails. Continue around unit, making sure the jambs are straight and the unit is square.

**Technique #2: Screw Through The Frame**

Remove the screen, the head interior stop, the sill operator cover, and the side interior stops. For units ordered with the stops shipped loose, skip to the paragraph starting with "See Fig. 9...". To avoid damaging the interior stops, remove the head interior stop first.

See Fig. 7, 8 & 9. Open the sash and work from the exterior. Place a piece of scrap or shim wood against the head jamb to avoid scratching or denting the surface. Insert the short edge of a small pry bar between the weatherstrip and the interior head stop. Starting at one end, gently pry up the head interior stop. Once the entire length of the stop is loosened, angle the pry bar under the stop to pop it out of its kerf. Remove the stop and store in a safe place until it is re-applied. Repeat steps above to remove the operator cover from the sill and the side interior stops from the side jambs.



See Fig. 10. Mark the screw locations, following the recommended spacing from the Installation Anchor Calculator, and shim underneath each one. If a screw location falls in the operator area on the sill, install a screw on both sides of the operator instead. Drill 3/16" (4mm) diameter lead holes in the head jamb, both side jambs, and in the sill. Use #10 x 2-1/2" (64mm) flat head screws to fasten through the jambs, shims, and into the rough opening framing.

Replace both side interior stops first, then replace the head interior stop. Last, replace the operator cover to the sill.

## COMPLETING THE EXTERIOR

See Fig. 11. A drip cap must be installed to direct water away from the window and lessen the chance of water seepage. If a drip cap has not been applied, apply now. Seal the side edges of the drip cap to the window. Seal between the drip cap and the exterior sheathing. When using building paper to cover the exterior sheathing, also seal the paper to the drip cap.

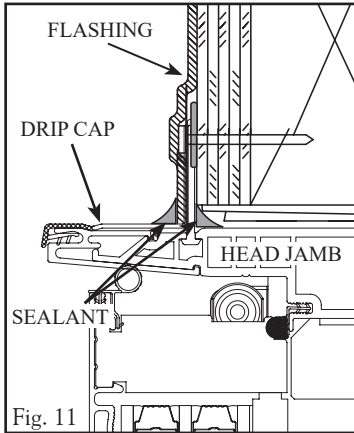


Fig. 11

### ⚠ CAUTION

See Fig. 12. A 1/4" (6mm) (minimum) gap between the window perimeter and framing material is required when using brick, stone, marble or concrete as an exterior facing. This allows for movement or settling of the structure, which could effect unit operation. Span the gap with an appropriate sealant joint, using backer rod the length of the sill, if necessary.

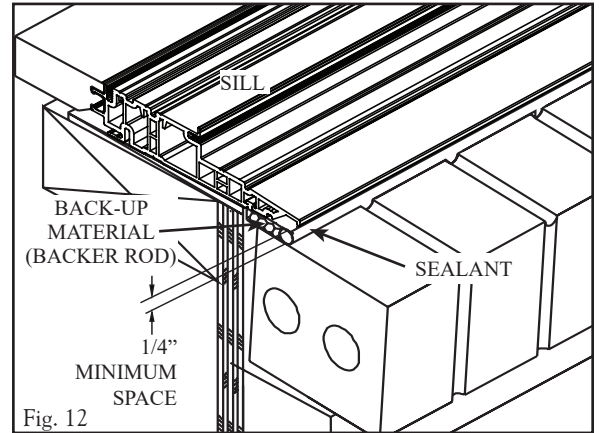


Fig. 12

## HINGE ADJUSTMENTS

### Adjustable Hinge (Standard Casements & Awnings)

See Fig. 13. To obtain an equal margin around the window between the sash and frame; open the sash to expose the hinges located at the top and bottom of the window. There is a cam stud located on each hinge that can be adjusted. Use a 7/64" Allen wrench and turn the cam stud left or right, this will move the sash side to side in the frame. Close the sash and check the margin between the sash and frame around the window. If the margin is not equal all the way around, repeat the steps above on the top and/or bottom hinges until you are satisfied with the margin. Close window when finished with adjustments.

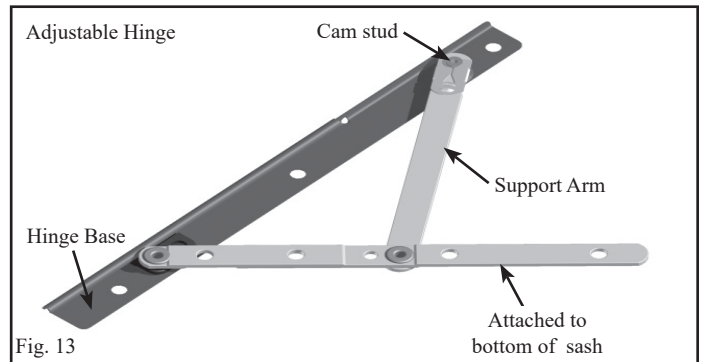


Fig. 13

## INSULATION & INTERIOR CASING/TRIM

Kolbe recommends installing fiberglass insulation in the void created by the outer perimeter of the window frame and rough opening members. Using a putty knife, loosely fill the entire depth of the gap with insulation. Apply the interior casing. **Foam insulation may be used, but it must be a low expanding type foam. Use of any foam other than low expanding foam will void the warranty.**

### ⚠ CAUTION

Over-packed insulation can lessen the insulating effectiveness and distort the frame, resulting in poor sash operation.

## INTERIOR FINISHING

**Interior:** Finish bare wood interiors immediately using a top quality stain, sealer, and/or polyurethane varnish. On factory primed interiors, apply a quality top coat system. See our **Prefinish Recommendations/Instructions** for more information.

### ⚠ CAUTION

Avoid getting finishing products on any hardware, vinyl components and weatherstripping.

## MAINTENANCE TIPS / PROCEDURES

Inspect your Kolbe products periodically/yearly to see if the exterior sealants and/or finishes have any gaps, cracks, or signs of damage and deterioration. Any cracks must be caulked immediately with a high quality sealant, to maintain the seal integrity of the paint finish and to prevent infiltration of water and air.

## CLEANING

A quarterly cleaning with a mild soap and sweet water (tap water) solution is recommended for the sash and frames; then rinse. (***Cleaning on units installed in high salt spray areas require a monthly cleaning and rinse.***) Clean glass with standard glass cleaner, keeping it from running down the sash onto the frame and weatherstrip.

### ⚠ CAUTION

Do not pressure wash!

## HARDWARE

Check all fasteners, making sure all hardware is properly secured. The hardware and locks can be lubricated with a Teflon® or Teflon/silicone spray.

## INSULATING GLASS

Broken or fogged IG units, requiring re-glazing or replacement, should be referred to your Kolbe window & door supplier.

### ⚠ CAUTION

Kolbe's standard H°K insulating glass has a LoE<sup>2</sup> coating on surface 2. It does not match clear glass or other LoE<sup>2</sup> products. Do-it-yourself re-glazing or replacing without permission from Kolbe windows & doors will void the product warranty.

## RECYCLING

Care must be taken to properly recycle or dispose of old materials. Any recyclable materials should be separated from non-recyclable or hazardous materials. Please consult with local or state authorities regarding proper disposal of non-recyclable or hazardous materials.

Contact your Kolbe window and door supplier or visit us  
at [www.kolbwindows.com](http://www.kolbwindows.com) for further information.

**THANK YOU  
FOR PURCHASING KOLBE PRODUCTS.**

*Kolbe & Kolbe Millwork Co., Inc. reserves the right  
to change specifications without notice.*

© 2018 Kolbe & Kolbe Millwork Co., Inc.