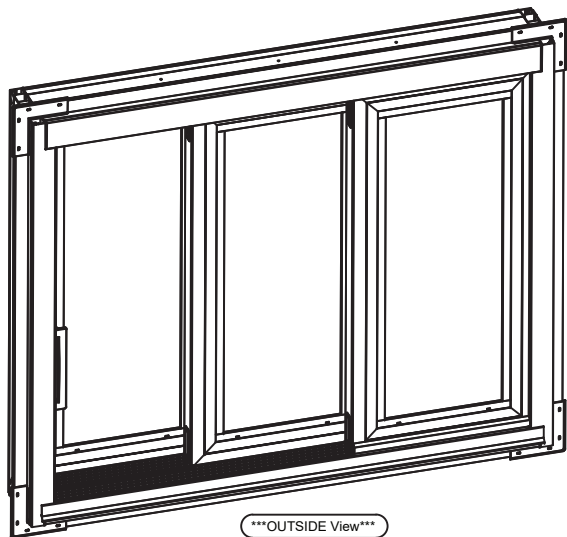
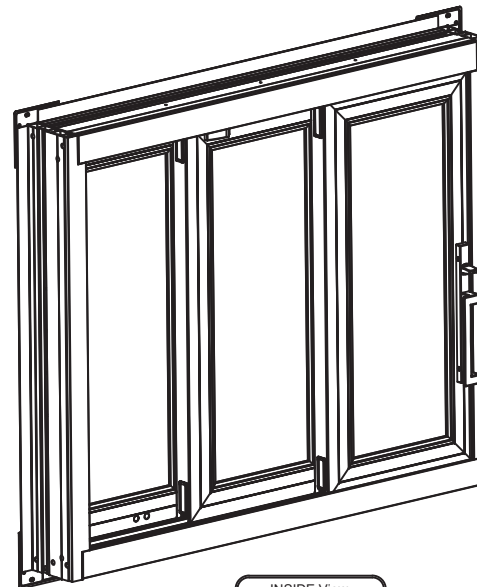


NOTES:

1. UNLESS OTHERWISE SPECIFIED ALL DIMENSIONS ARE GIVEN IN INCHES. TOLERANCES ARE: DECIMALS ± .005, ANGLES ± 1/2°, FRACTIONS ± 1/64".



OUTSIDE View



INSIDE View

DCN - 7F77F1	CREATOR - MONG	SHEET NO. - 1 OF 1	REPLACES -
REV - 0	PCR - V1042	DATE - 10/17/23	REV. BY - MONG / BLUME
COMMENTS - INITIAL DRAWING CREATION ADDED INSTALLATION INSTRUCTION PART # MAY 2026		XXO MULTI TRACK PATIO DOOR - COVER PAGE - ASSEMBLY PART # 1300005608	
		PRODUCT - FORGENT COMPLEMENTARY MULTI-SLIDE DOOR VINYL STYLE	



NOTES:

Installation Requirements

- List of required Tools P1
- Box (HEAD / SILL / JAMBS / SASHES / SCREEN (Option) / HARDWARE) P2

STEPS to Follow:

- *MATERIAL***
 - 1** - Validation of the Hardware P3-P4
 - 2** - Validation of HEAD Box & Preparation P5 to P8
 - 3** - Validation of SILL Box & Preparation P9 to P11
 - 4** - Validation of JAMBS Box P12
- *FRAME***
 - 5** - Frame Assembly P13 to P17
 - 6** - Installation of the Frame P18 to P26
- *SASH***
 - 7** - Installation of the Fixed Sash..... P27 to P31
 - 8** - Installation of Central Sash..... P32 to P34
 - 9** - Installation of Head Cover #5832.[FI] P35-P36
 - 10** - Installation of Head Tracks #8321 (Center Tower) P37 to P39
 - 11** - Installation of Mobile Sash & Head Tracks #8321 P40 to P42
 - 12** - Fastening Head Tracks #8321 to the Frame P43-P44
 - 13** - Adjustment of the Sash P45
- *HEAD***
 - 14** - Installation of Head Blocks P46 to P49
 - 15** - Installation of Jamb Cover (Interior) & Sash Stop P50-P51
 - 16** - Installation of Head Covers #5832 P52 to P56
 - 17** - Installation of Groove Cover #8331 P57 to P59
- *FINISHING***
 - 18** - Installation of Handle, Lock & Keeper P60 to P62
 - 19** - Installation of Drip Cap P63 to P65
 - 20** - Installation of Sills Covers P66 to P68
 - 21** - Installation of Jamb Cover (Outside) P69
 - 22** - Final Adjustment P70
 - 23** - ****OPTION**** - Preparation for Retractable Screen Installation..... P71-P72

DCN - 0FD466		CREATOR - MONG		SHEET NO. - 1 OF 1		REPLACES -	
REV - 0	PCR - V1042	DATE - 10/17/23	REV. BY -	MONG / BLUME			
COMMENTS - INITIAL DRAWING CREATION ADDED INSTALLATION INSTRUCTION PART # MAY 2026				XXO MULTI TRACK PATIO DOOR - TABLE OF CONTENTS - ASSEMBLY PART # 1300005608			
				PRODUCT- FORGENT COMPLEMENTARY MULTI-SLIDE DOOR VINYL STYLE			

NOTES:

1. UNLESS OTHERWISE SPECIFIED ALL DIMENSIONS ARE GIVEN IN INCHES. TOLERANCES ARE: DECIMALS ± .005, ANGLES ± 1/2°, FRACTIONS ± 1/64".

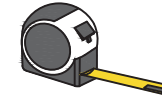


Assembly required by 2 people

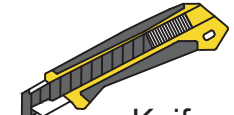
IMPORTANT



Impact
(1X)



Measuring Tape
(1X)



Knife
(1X)



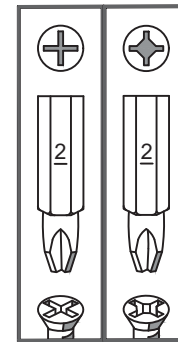
Pencil
(1X)



Screwdriver Bit
Quadrex 6" #2 (1X)



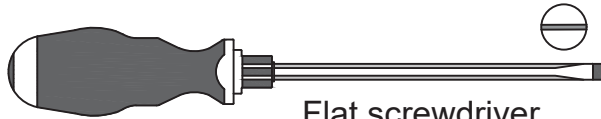
Countersink
(for #8 screw)
(min.1X)



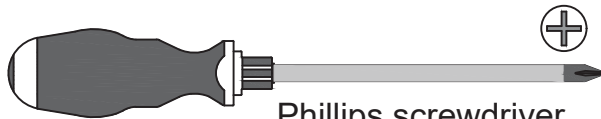
Screwdriver Bits
(2X)



Rubber Mallet
(1X)



Flat screwdriver
(1X)



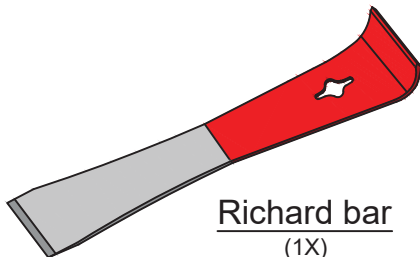
Phillips screwdriver
(1X)



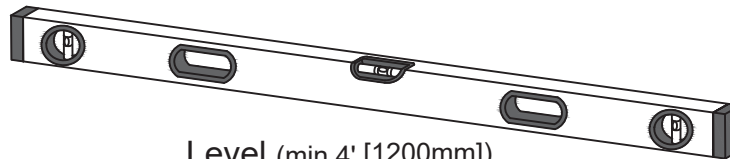
Compatible Sealant
(min.1X)



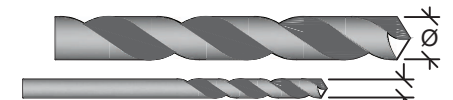
Invisible Lubricant
Silicone
(1X)



Richard bar
(1X)



Level (min 4' [1200mm])
(1X)

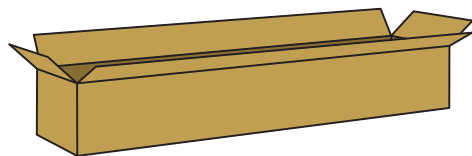


OPTION (See P11)
Drill Bits $\varnothing \frac{3}{16}$ " & $\varnothing \frac{7}{16}$ " (min.2X)

DCN - 6A3CF6	CREATOR - MONG	SHEET NO. - 1 OF 72	REPLACES -
REV - 0	PCR - V1042	DATE - 10/17/23	REV. BY - MONG / BLUME
COMMENTS - INITIAL DRAWING CREATION ADDED INSTALLATION INSTRUCTION PART # MAY 2026			XXO MULTI TRACK PATIO DOOR - LIST OF REQUIRED TOOLS - ASSEMBLY PART # 1300005608
			PRODUCT- FORGENT COMPLEMENTARY MULTI-SLIDE DOOR VINYL STYLE

NOTES:

1. UNLESS OTHERWISE SPECIFIED ALL DIMENSIONS ARE GIVEN IN INCHES. TOLERANCES ARE: DECIMALS ± .005, ANGLES ± 1/2°, FRACTIONS ± 1/64".

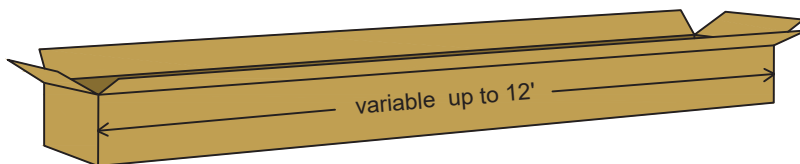


Jambs box
(1X)

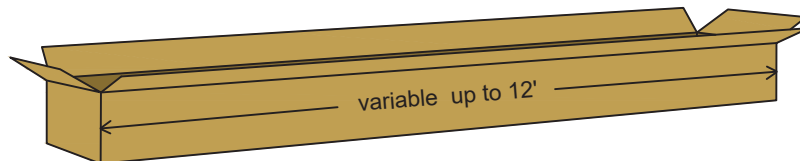


Hardware Box
(1X)

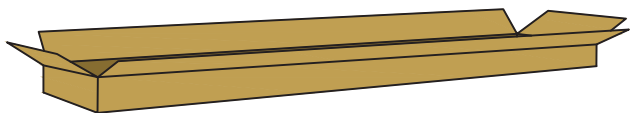
Head Box
(1X)



Sill Box
(1X)

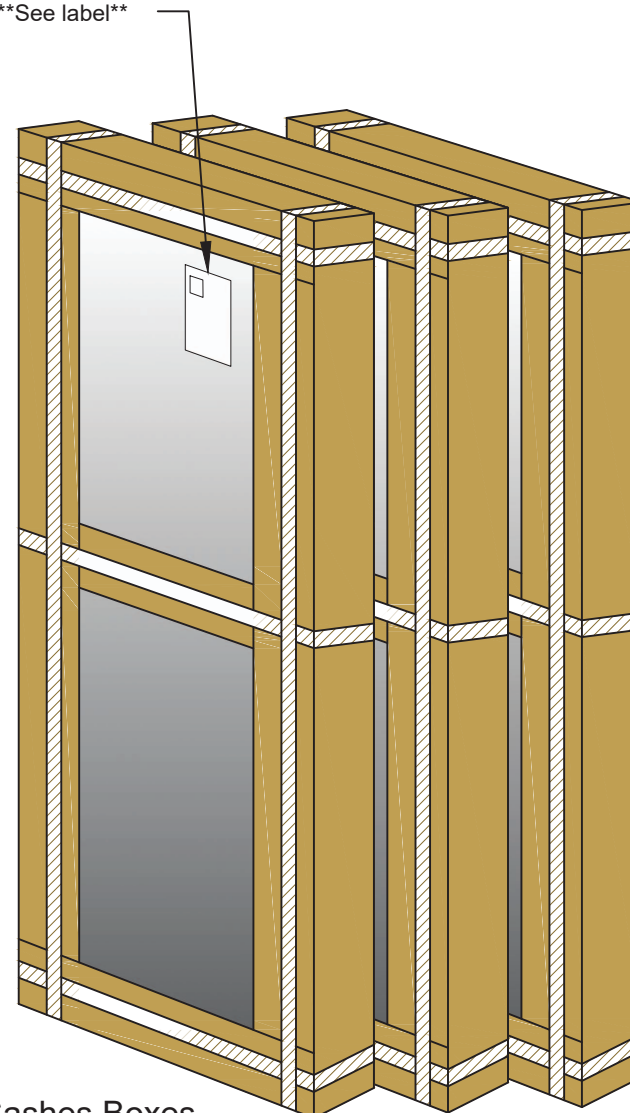


****OPTION****



Screen Box
(1X)

See label

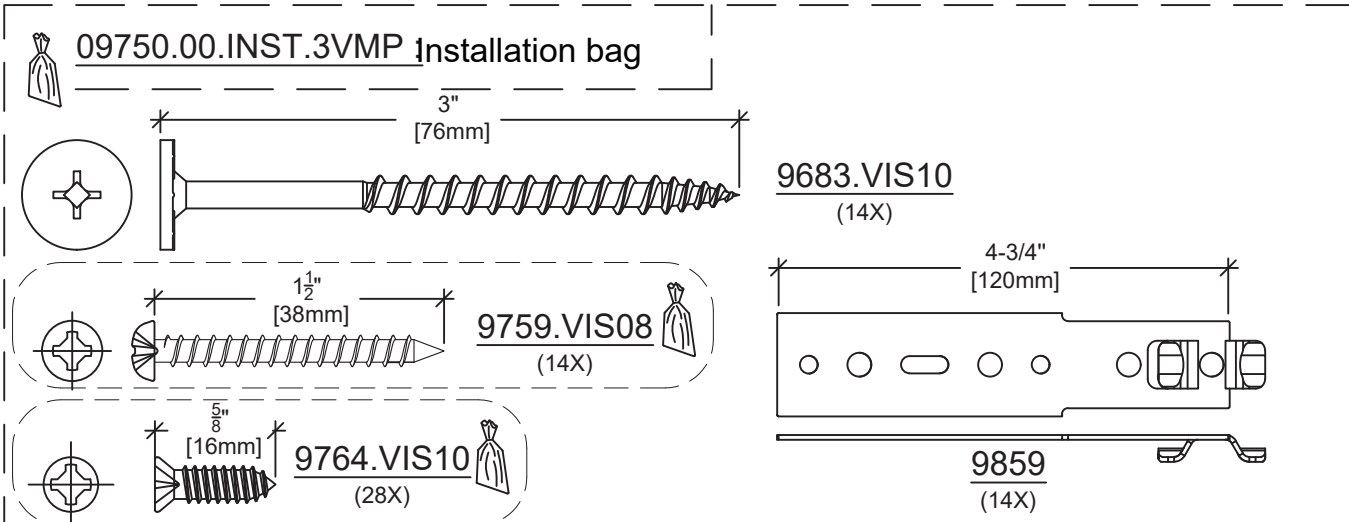
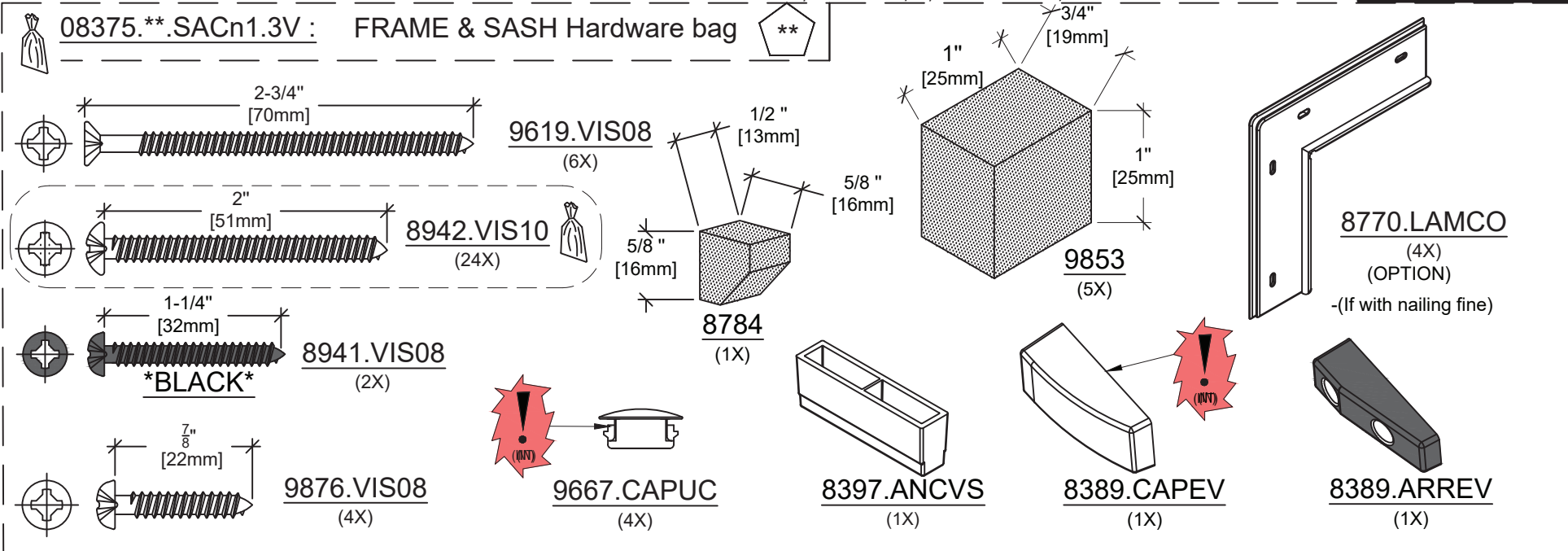


Sashes Boxes
(3X)

DCN -	ODD842	CREATOR -	MONG	SHEET NO. -	2 OF 72	REPLACES -		
REV -	0	PCR -	V1042	DATE -	10/17/23	REV. BY -	MONG / BLUME	XXO MULTI TRACK PATIO DOOR - LIST OF PACKAGING BOXES - ASSEMBLY PART # 1300005608
COMMENTS - INITIAL DRAWING CREATION ADDED INSTALLATION INSTRUCTION PART # MAY 2026							PRODUCT - FORGENT COMPLEMENTARY MULTI-SLIDE DOOR VINYL STYLE	

NOTES:

1. UNLESS OTHERWISE SPECIFIED ALL DIMENSIONS ARE GIVEN IN INCHES. TOLERANCES ARE: DECIMALS ± .005, ANGLES ± 1/2°, FRACTIONS ± 1/64".



IMPORTANT: **Hardware** are provided for **Installation in Wood box.**

For concrete application: screws are **NOT** provided.

**** Various Colored bags:**

- 58 = White
- 13 = Clay
- GB = Black
- GC = Brown
- NC = Grey

DCN - 0A65D9	CREATOR - MONG	SHEET NO. - 3 OF 72	REPLACES -
REV - 0	PCR - V1042	DATE - 10/17/23	REV. BY - MONG / BLUME
COMMENTS - INITIAL DRAWING CREATION ADDED INSTALLATION INSTRUCTION PART # MAY 2026		XXO MULTI TRACK PATIO DOOR - VALIDATION OF THE HARDWARE - ASSEMBLY PART # 1300005608	
		PRODUCT - FORGENT COMPLEMENTARY MULTI-SLIDE DOOR VINYL STYLE	

NOTES:

1. UNLESS OTHERWISE SPECIFIED ALL DIMENSIONS ARE GIVEN IN INCHES. TOLERANCES ARE: DECIMALS ± .005, ANGLES ± 1/2°, FRACTIONS ± 1/64".

08380.00.SACn2.3V : HEAD Hardware bag

8942.VIS10 (19X)

8941.VIS08 (8X)
BLACK

8940 (1X) ****Assembled with shim 8789****

8703.BMSCF (1X) ****Assembled with foam 8373****

00703.ADM35 (2X)

If painted door (OUT= Outside) or (IN=Inside), rather use parts from the red bag in Sill box &/or Sash box.

Except : See color list **

08399.14.SACAN.3V : Head Cover Anchor bag

8399.ANCRA (20X)

08375..SACn3.3V : FINISHED Hardware bag**

8813.VIS10 (4X)

8377.GAPSF (1X) **Adhesive backside**
not required XXO

9150.CAPUC (2X)

8395.CAPVS.D (1X) **(EXC)**

8395.CAPVS.G (1X) not required XXO

09250.KT.ENS2P :Lock & Keeper bag

9250.SER2P (1X)

9250.GACHE (1X)

9149.VISME (#10 x 3/4) (2X) *** Not required ***

9250.VISGA (#10 x 1-3/4) (4X)

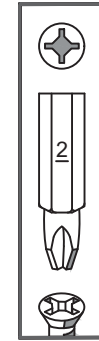
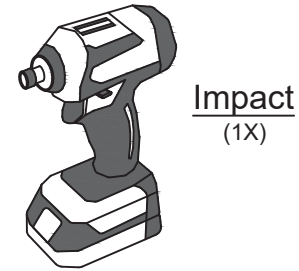
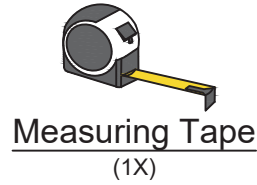
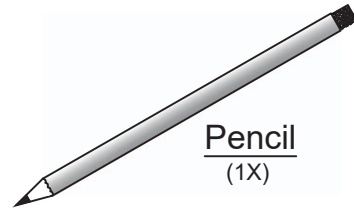
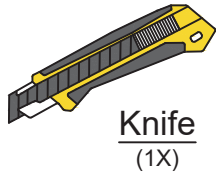
Screw #10 x 2-1/2 (2X)

DCN - 61C409	CREATOR - MONG	SHEET NO. - 4 OF 72	REPLACES -
REV - 0	PCR - V1042	DATE - 10/17/23	REV. BY - MONG / BLUME
COMMENTS - INITIAL DRAWING CREATION		XXO MULTI TRACK PATIO DOOR - VALIDATION OF THE HARDWARE - ASSEMBLY PART # 1300005608	
ADDED INSTALLATION INSTRUCTION PART # MAY 2026		PRODUCT - FORGENT COMPLEMENTARY MULTI-SLIDE DOOR VINYL STYLE	

NOTES:

1. UNLESS OTHERWISE SPECIFIED ALL DIMENSIONS ARE GIVEN IN INCHES. TOLERANCES ARE: DECIMALS ± .005, ANGLES ± 1/2°, FRACTIONS ± 1/64".

Tools and hardware required for this step



Screwdriver Bit
(1X)

08375.58.SACn1.3V : FRAME & SASH Hardware bag

9619.VIS08
(6X)



Countersink
(for #8 screw)
(min.1X)

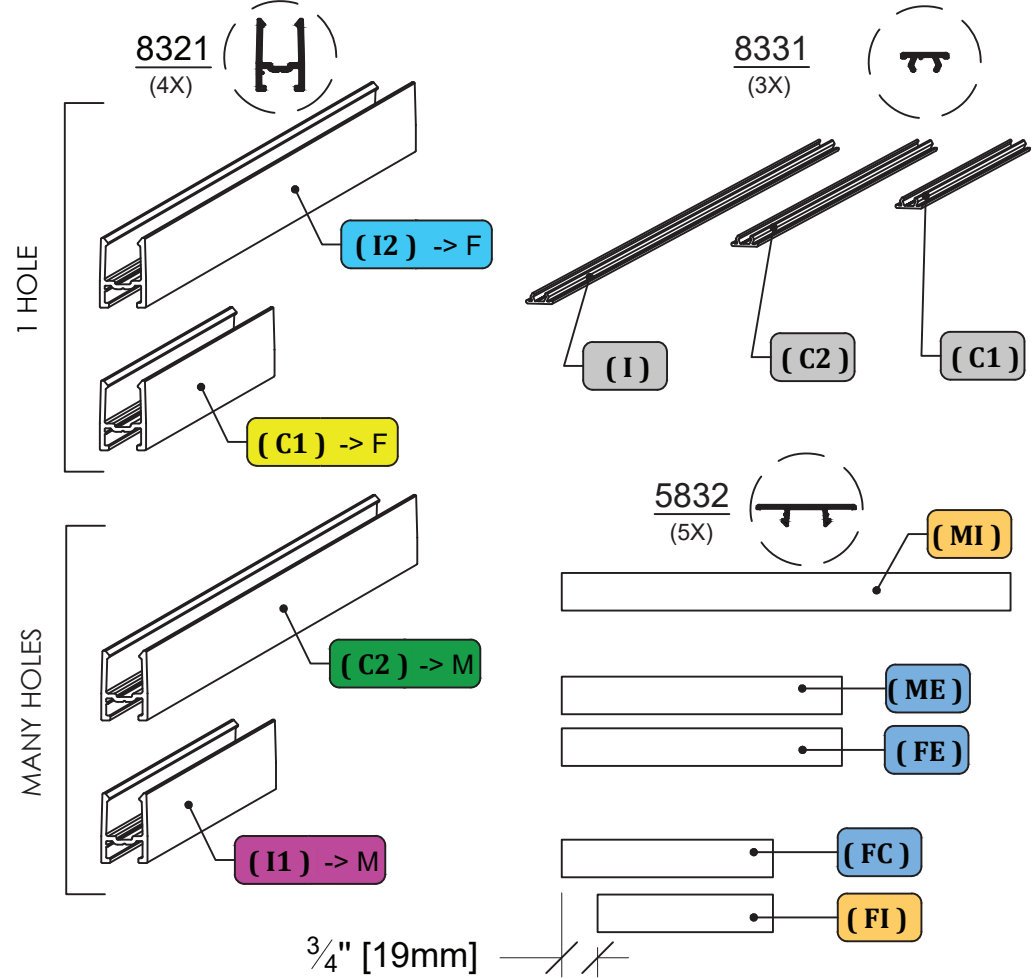
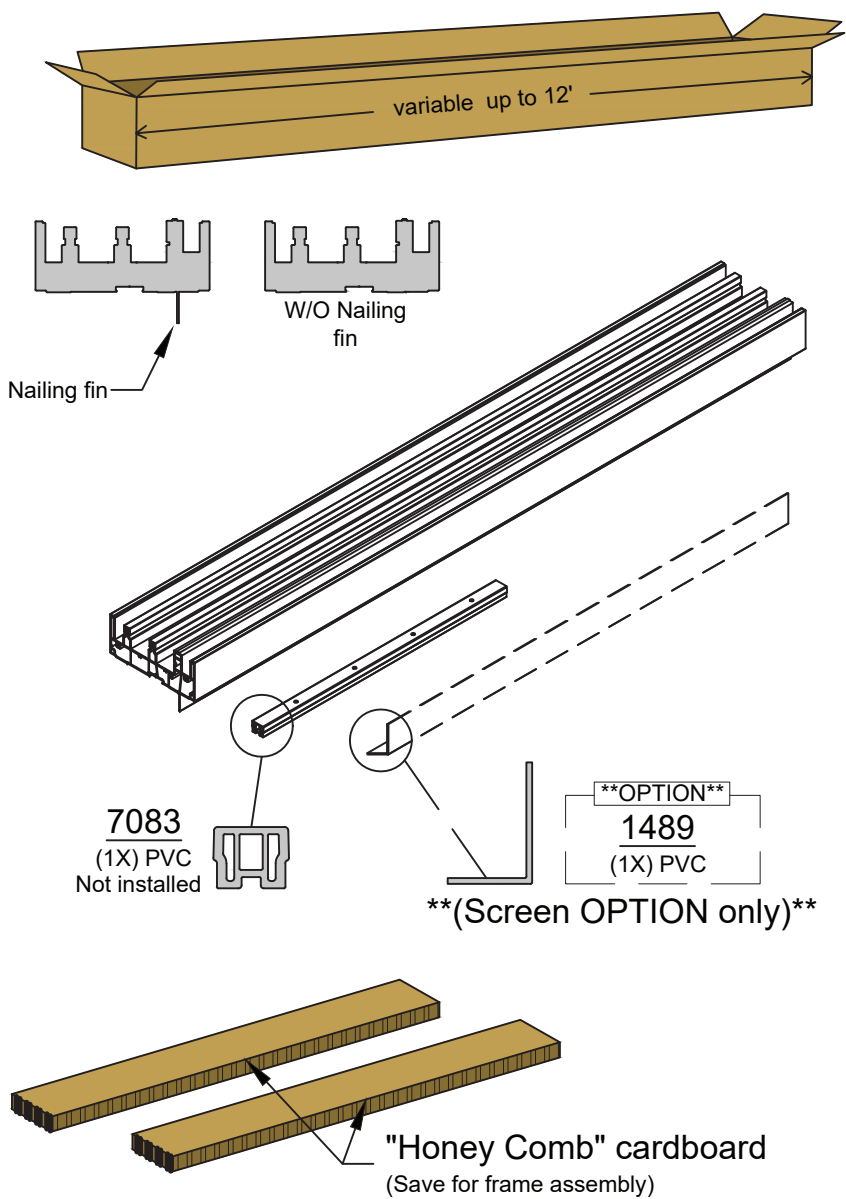
DCN - 54C98D	CREATOR - MONG	SHEET NO. - 5 OF 72	REPLACES -
REV - 0	PCR - V1042	DATE - 10/17/23	REV. BY - MONG / BLUME
COMMENTS - INITIAL DRAWING CREATION ADDED INSTALLATION INSTRUCTION PART # MAY 2026		XXO MULTI TRACK PATIO DOOR - VALIDATION OF HEAD BOX & PREPARATION - ASSEMBLY PART # 1300005608	
		PRODUCT - FORGENT COMPLEMENTARY MULTI-SLIDE DOOR VINYL STYLE	

THIS DRAWING IS THE PROPERTY OF KOLBE & KOLBE MILLWORK CO., INC. THE INFORMATION THEREON IS TO BE TREATED AS CONFIDENTIAL. ALL TRADE SECRETS ARE ENTITLED TO ALL THE PROTECTIONS AND BENEFITS UNDER APPLICABLE LAW. THIS DRAWING IS NOT TO BE USED, COPIED, OR DISCLOSED TO OUTSIDE PARTIES WITHOUT OUR WRITTEN CONSENT.



NOTES:

1. UNLESS OTHERWISE SPECIFIED ALL DIMENSIONS ARE GIVEN IN INCHES. TOLERANCES ARE: DECIMALS ± .005, ANGLES ± 1/2°, FRACTIONS ± 1/64".



A Save components 8321 - 8331 - 5832 into the Head box for further installation. (See Step 9 to 17)

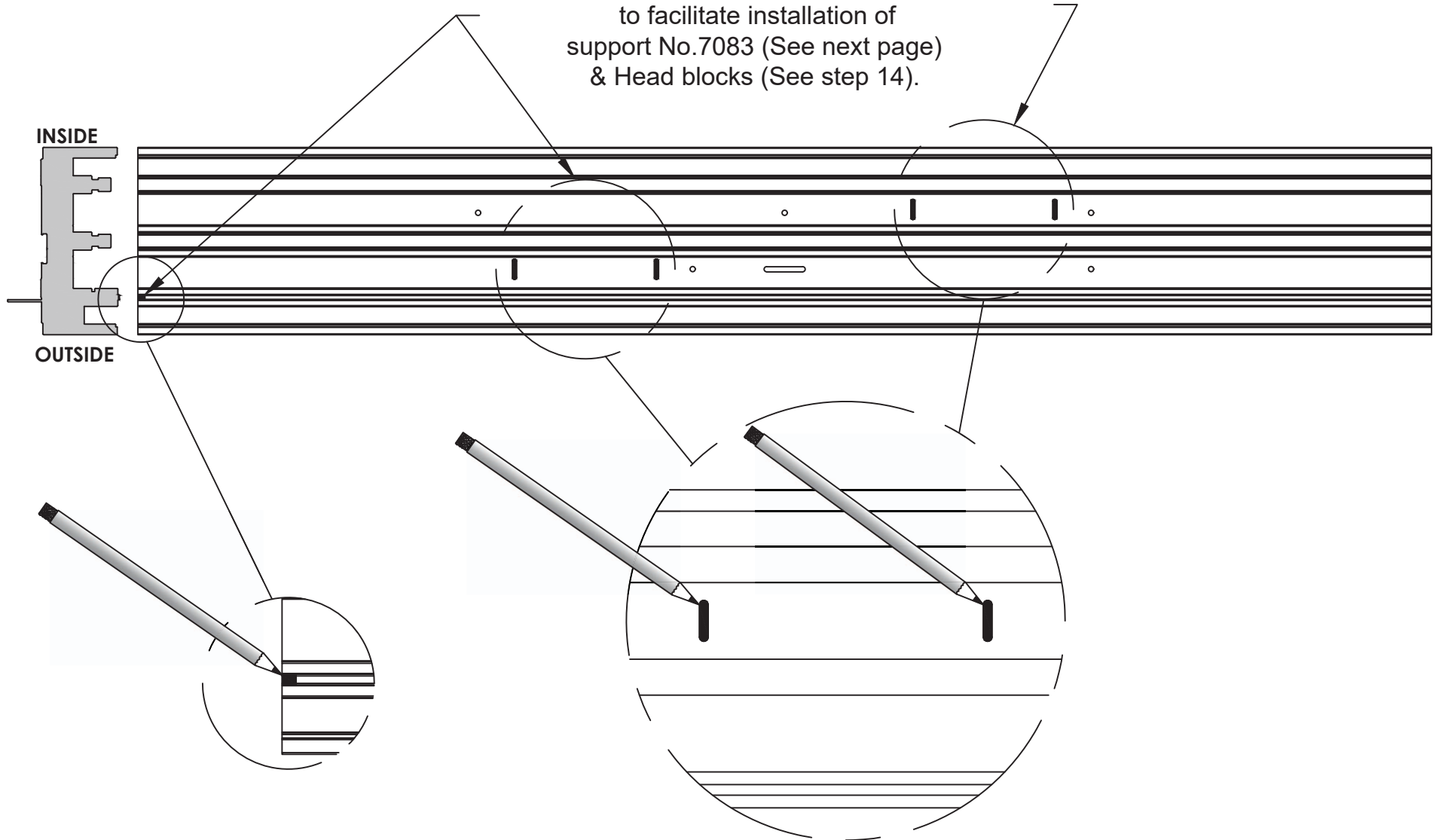
****If Screen OPTION**** : Save also component 1489 for further installation. (See Step 23)

DCN - 2821B7	CREATOR - MONG	SHEET NO. - 6 OF 72	REPLACES -
REV - 0	PCR - V1042	DATE - 10/17/23	REV. BY - MONG / BLUME
COMMENTS - INITIAL DRAWING CREATION ADDED INSTALLATION INSTRUCTION PART # MAY 2026		XXO MULTI TRACK PATIO DOOR - VALIDATION OF HEAD BOX & PREPARATION - ASSEMBLY PART # 1300005608	
		PRODUCT - FORGENT COMPLEMENTARY MULTI-SLIDE DOOR VINYL STYLE	

NOTES:

1. UNLESS OTHERWISE SPECIFIED ALL DIMENSIONS ARE GIVEN IN INCHES. TOLERANCES ARE: DECIMALS ± .005, ANGLES ± 1/2°, FRACTIONS ± 1/64".

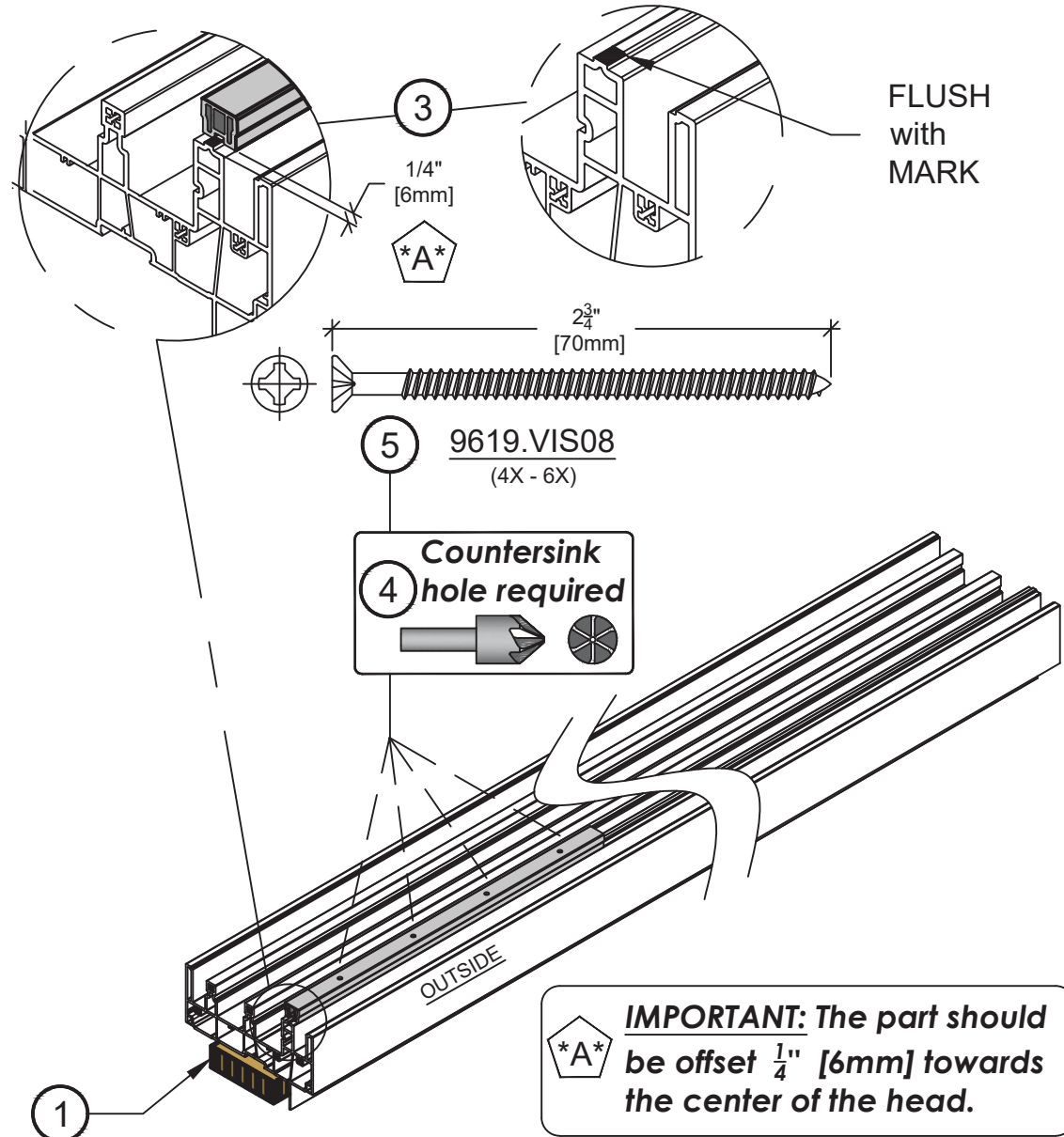
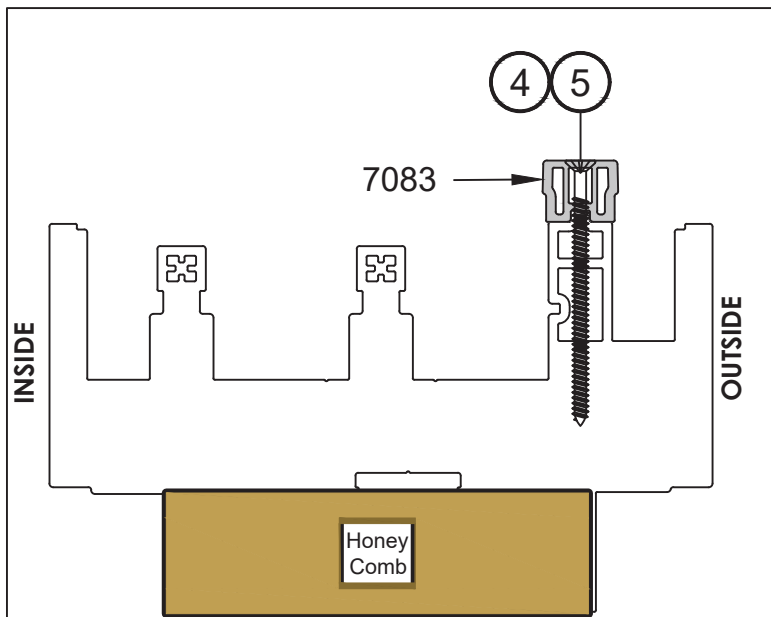
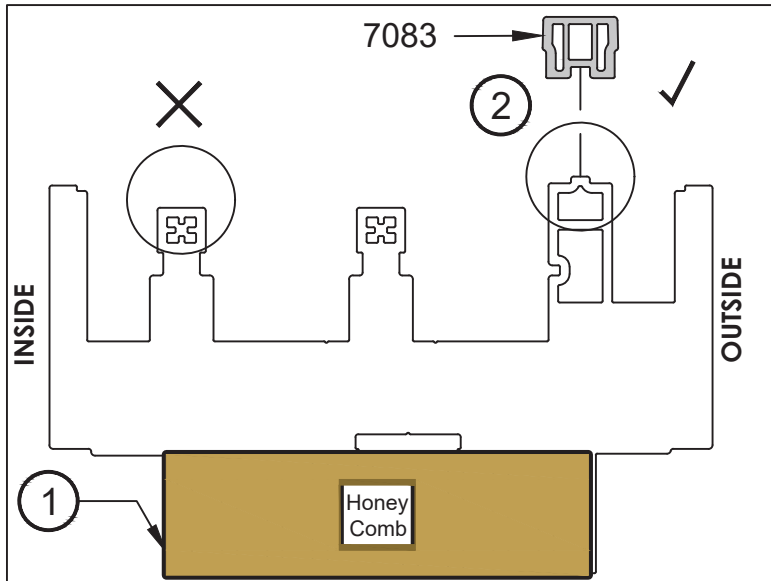
Trace the positioning marks (5X)
to facilitate installation of
support No.7083 (See next page)
& Head blocks (See step 14).



DCN - 89737C	CREATOR - MONG	SHEET NO. - 7 OF 72	REPLACES -
REV - 0	PCR - V1042	DATE - 10/17/23	REV. BY - MONG / BLUME
COMMENTS - INITIAL DRAWING CREATION ADDED INSTALLATION INSTRUCTION PART # MAY 2026			XXO MULTI TRACK PATIO DOOR - VALIDATION OF HEAD BOX & PREPARATION - ASSEMBLY PART # 1300005608
			PRODUCT- FORGENT COMPLEMENTARY MULTI-SLIDE DOOR VINYL STYLE

NOTES:

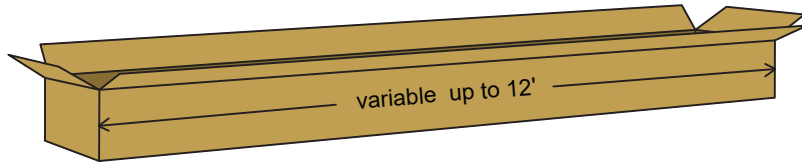
1. UNLESS OTHERWISE SPECIFIED ALL DIMENSIONS ARE GIVEN IN INCHES. TOLERANCES ARE: DECIMALS ± .005, ANGLES ± 1/2°, FRACTIONS ± 1/64".



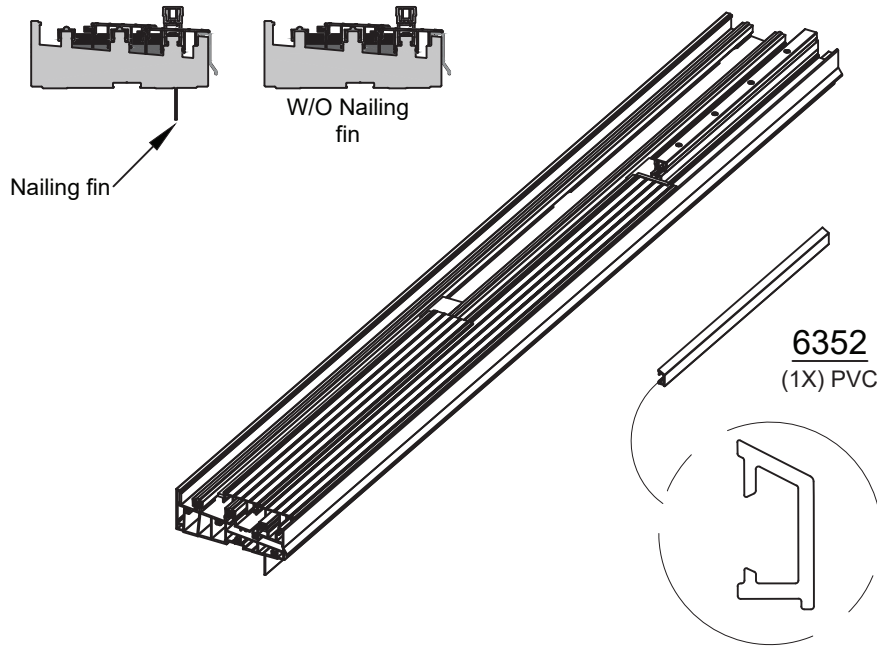
DCN - 2CCC04	CREATOR - MONG	SHEET NO. - 8 OF 72	REPLACES -
REV - 0	PCR - V1042	DATE - 10/17/23	REV. BY - MONG / BLUME
COMMENTS - INITIAL DRAWING CREATION ADDED INSTALLATION INSTRUCTION PART # MAY 2026		XXO MULTI TRACK PATIO DOOR - VALIDATION OF HEAD BOX & PREPARATION - ASSEMBLY PART # 1300005608	
		PRODUCT - FORGENT COMPLEMENTARY MULTI-SLIDE DOOR VINYL STYLE	

NOTES:

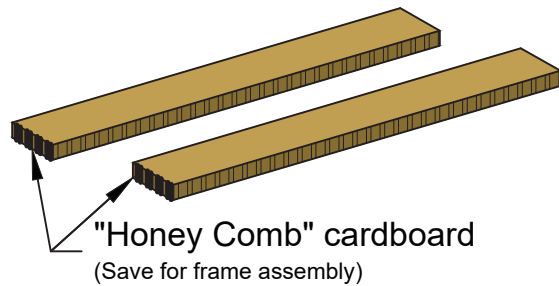
1. UNLESS OTHERWISE SPECIFIED ALL DIMENSIONS ARE GIVEN IN INCHES. TOLERANCES ARE: DECIMALS ± .005, ANGLES ± 1/2°, FRACTIONS ± 1/64".



*OPTION if painted door:
The red bag contains the painted hardware.
Except: see P3-P4



INSIDE PAINT		<u>9667.CAPUC</u> (4X)		<u>8389.CAPEV</u> (1X)
	OUTSIDE PAINT		<u>8395.CAPVS.G</u> (1X)	<p>not required XXO</p> <p><u>8395.CAPVS.D</u> (1X)</p>

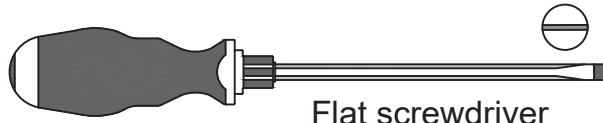


- Save component 6352 into the HEAD box for further installation. (See Step 19)

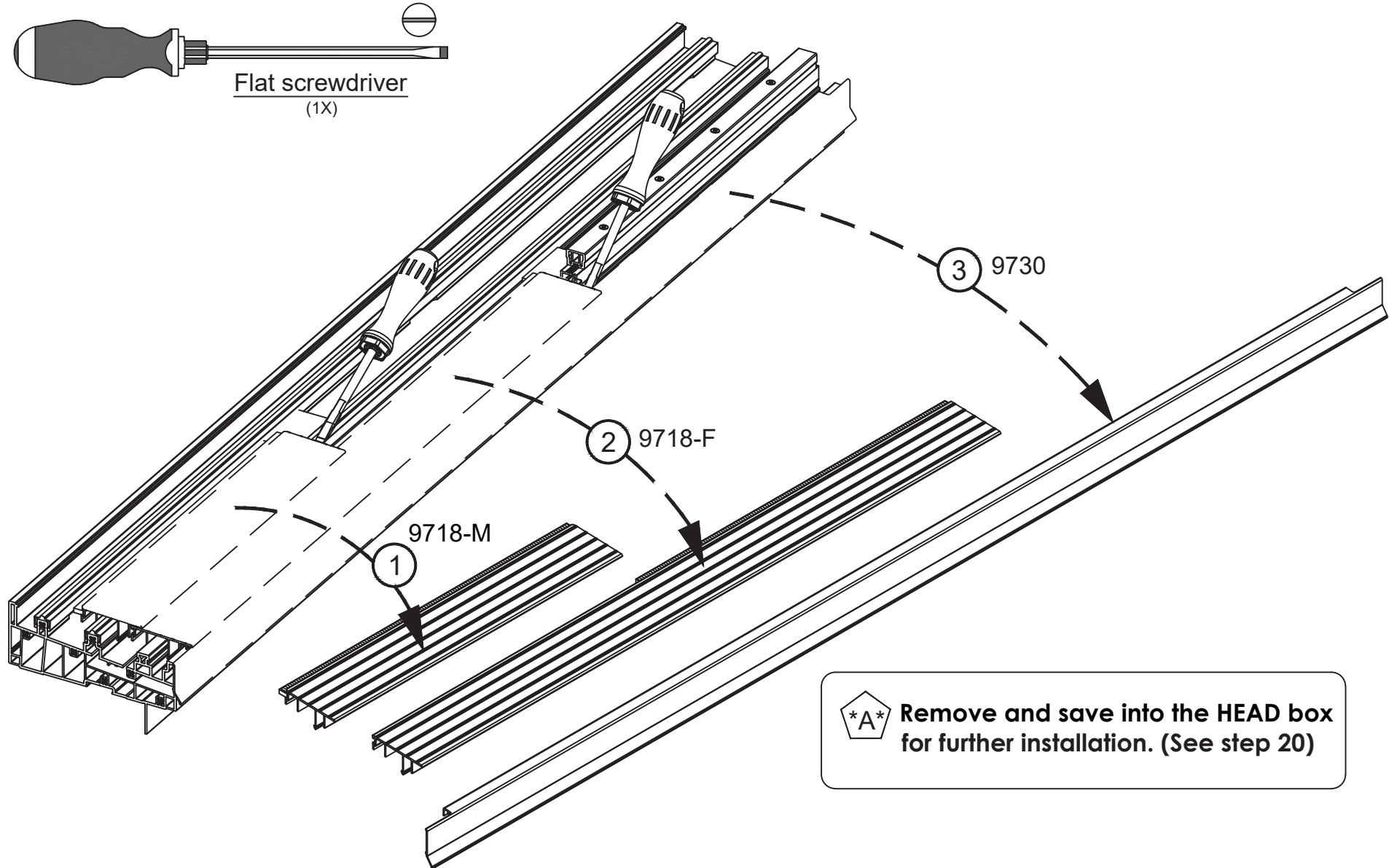
- If door is painted: save also the red bag.

DCN - 8DEA06	CREATOR - MONG	SHEET NO. - 9 OF 72	REPLACES -
REV - 0	PCR - V1042	DATE - 10/17/23	REV. BY - MONG / BLUME
COMMENTS - INITIAL DRAWING CREATION ADDED INSTALLATION INSTRUCTION PART # MAY 2026		XXO MULTI TRACK PATIO DOOR - VALIDATION OF SILL BOX & PREPARATION - ASSEMBLY PART # 1300005608	
		PRODUCT - FORGENT COMPLEMENTARY MULTI-SLIDE DOOR VINYL STYLE	

NOTES:
 1. UNLESS OTHERWISE SPECIFIED ALL DIMENSIONS ARE GIVEN IN INCHES. TOLERANCES ARE: DECIMALS ± .005, ANGLES ± 1/2°, FRACTIONS ± 1/64".



Flat screwdriver
(1X)



A Remove and save into the HEAD box for further installation. (See step 20)

DCN - 26735D	CREATOR - MONG	SHEET NO. - 10 OF 72	REPLACES -
REV - 0	PCR - V1042	DATE - 10/17/23	REV. BY - MONG / BLUME
COMMENTS - INITIAL DRAWING CREATION ADDED INSTALLATION INSTRUCTION PART # MAY 2026		XXO MULTI TRACK PATIO DOOR - VALIDATION OF SILL BOX & PREPARATION - ASSEMBLY PART # 1300005608	
		PRODUCT - FORGENT COMPLEMENTARY MULTI-SLIDE DOOR VINYL STYLE	

NOTES:

1. UNLESS OTHERWISE SPECIFIED ALL DIMENSIONS ARE GIVEN IN INCHES. TOLERANCES ARE: DECIMALS ± .005, ANGLES ± 1/2°, FRACTIONS ± 1/64".

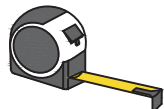
Tools and hardware required for this step



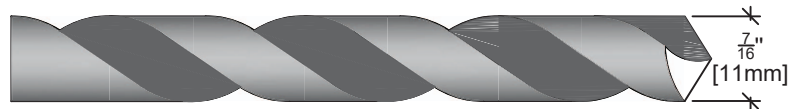
Impact
(1X)



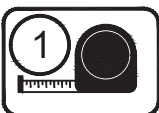
Pencil
(1X)



Measuring Tape
(1X)



Drill Bits**
(min. 2X)

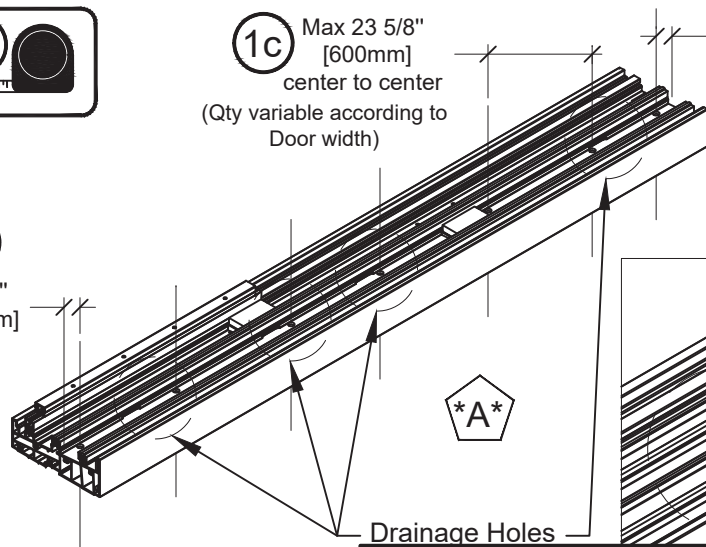


1c Max 23 5/8" [600mm] center to center
(Qty variable according to Door width)

6-9/16" [168mm] **1b**

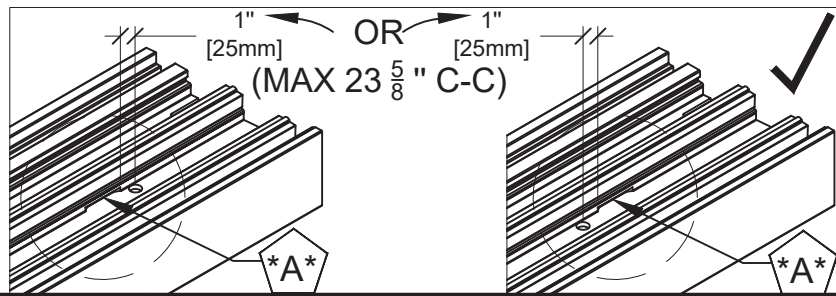
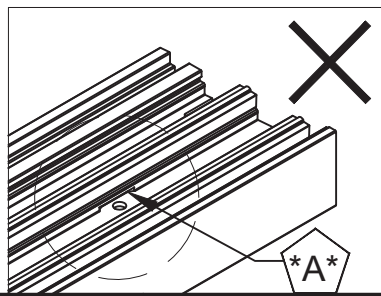
1a

6-9/16" [168mm]



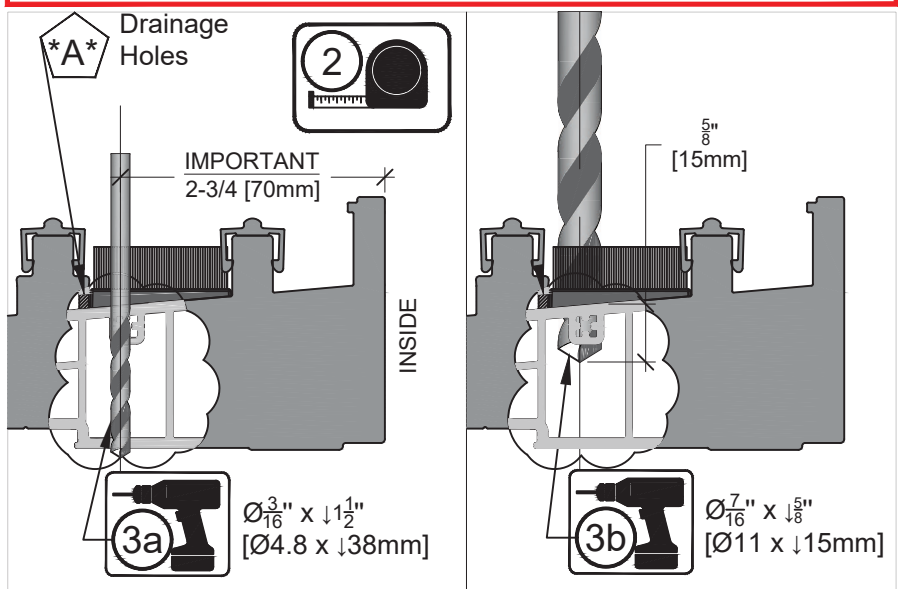
Drainage Holes

A **IMPORTANT:** If necessary, move the installation holes about 1" [25mm] from drainage holes to not drill in front of it. (Max 23 5/8" [600mm] C-C). Otherwise, sealant and cap may obstruct the drainage holes. (See P24)



OPTION

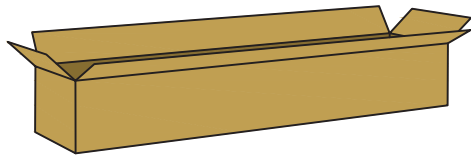
Concrete application only (See P13)
(Do not take care of this page for wood application)



DCN - 31F66E	CREATOR - MONG	SHEET NO. - 11 OF 72	REPLACES -
REV - 0	PCR - V1042	DATE - 10/17/23	REV. BY - MONG / BLUME
COMMENTS - INITIAL DRAWING CREATION		XXO MULTI TRACK PATIO DOOR - VALIDATION OF SILL BOX & PREPARATION - ASSEMBLY PART # 1300005608	
ADDED INSTALLATION INSTRUCTION PART # MAY 2026		PRODUCT - FORGENT COMPLEMENTARY MULTI-SLIDE DOOR VINYL STYLE	

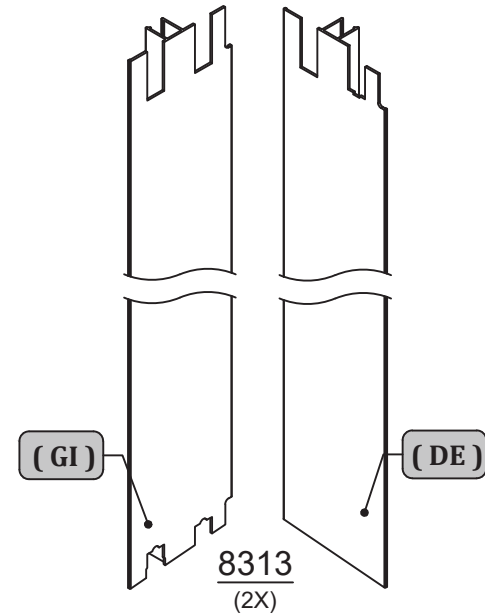
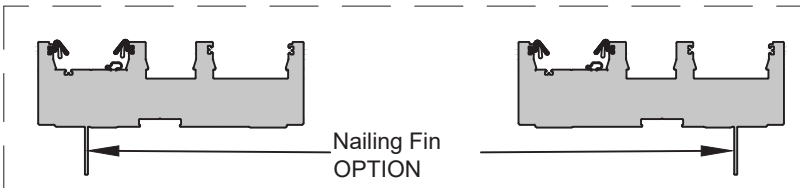
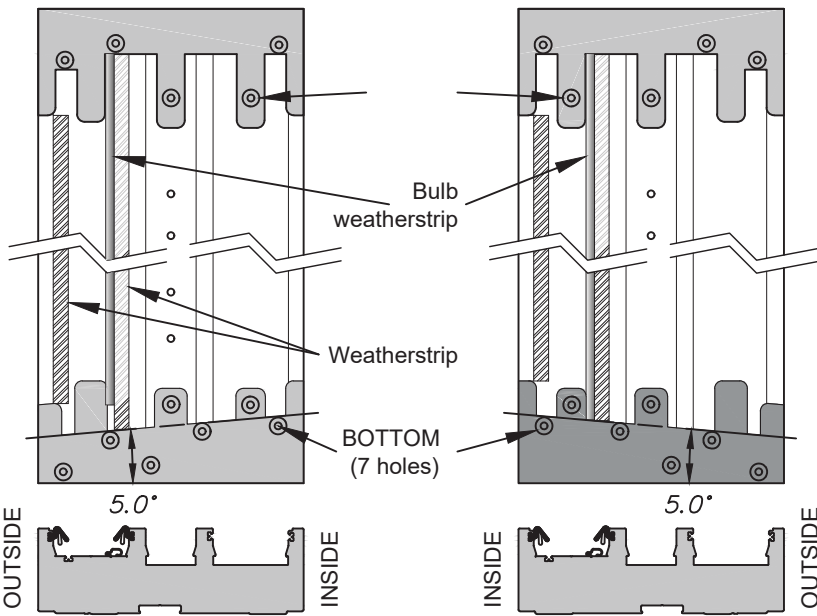
NOTES:

1. UNLESS OTHERWISE SPECIFIED ALL DIMENSIONS ARE GIVEN IN INCHES. TOLERANCES ARE: DECIMALS ± .005, ANGLES ± 1/2°, FRACTIONS ± 1/64".

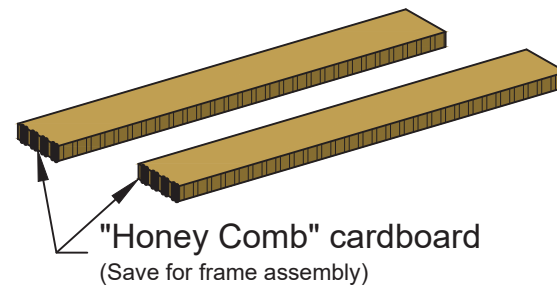


LEFT Jamb

RIGHT Jamb



A Save components 8313 into the HEAD box for further installation. (See Step 15 & 21)

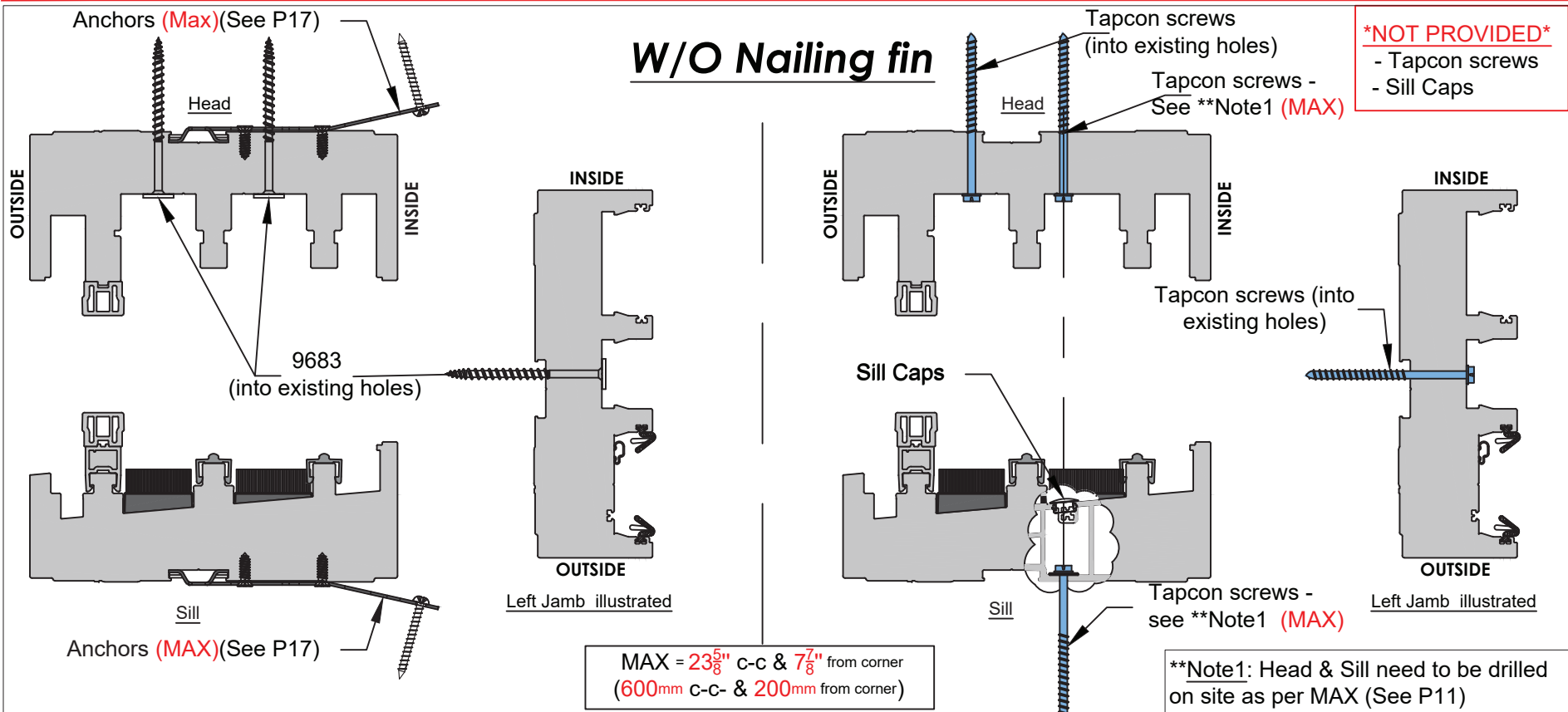


DCN - 3D5690	CREATOR - MONG	SHEET NO. - 12 OF 72	REPLACES -
REV - 0	PCR - V1042	DATE - 10/17/23	REV. BY - MONG / BLUME
COMMENTS - INITIAL DRAWING CREATION ADDED INSTALLATION INSTRUCTION PART # MAY 2026		XXO MULTI TRACK PATIO DOOR - VALIDATION OF JAMBS BOX & PREPARATION - ASSEMBLY PART # 1300005608	
		PRODUCT - FORGENT COMPLEMENTARY MULTI-SLIDE DOOR VINYL STYLE	

NOTES:
 1. UNLESS OTHERWISE SPECIFIED ALL DIMENSIONS ARE GIVEN IN INCHES. TOLERANCES ARE: DECIMALS ± .005, ANGLES ± 1/2°, FRACTIONS ± 1/64".

ATTENTION:
SELECT THE INSTALLATION METHOD ACCORDING TO ILLUSTRATIONS SHOWN in P13 & P14.
BEFORE ASSEMBLY THE FRAME, MAKE SURE ALL PARTS ARE PROPERLY PREPARED.

Hardware are provided for installation in Wood-Frame construction. (Tapcon screws or Nails are NOT provided).



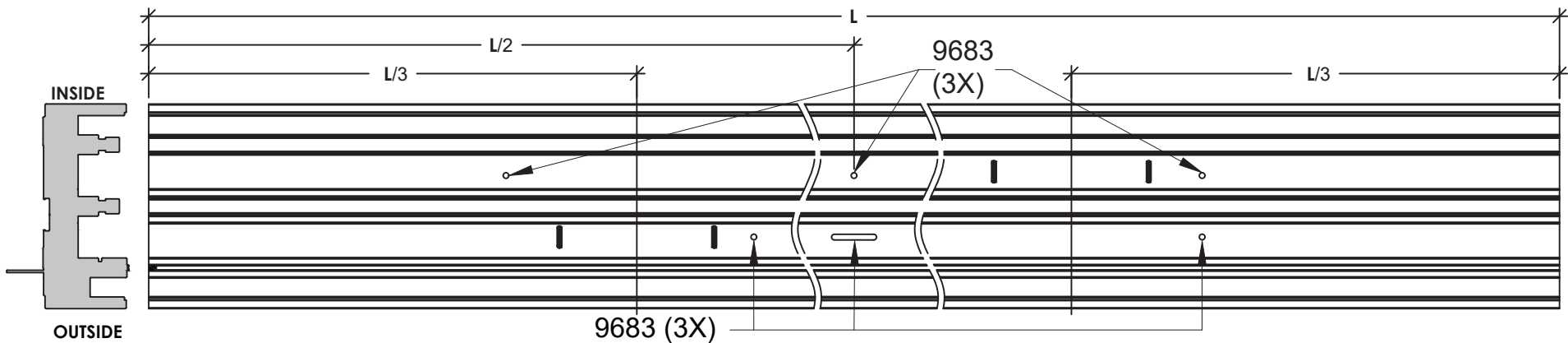
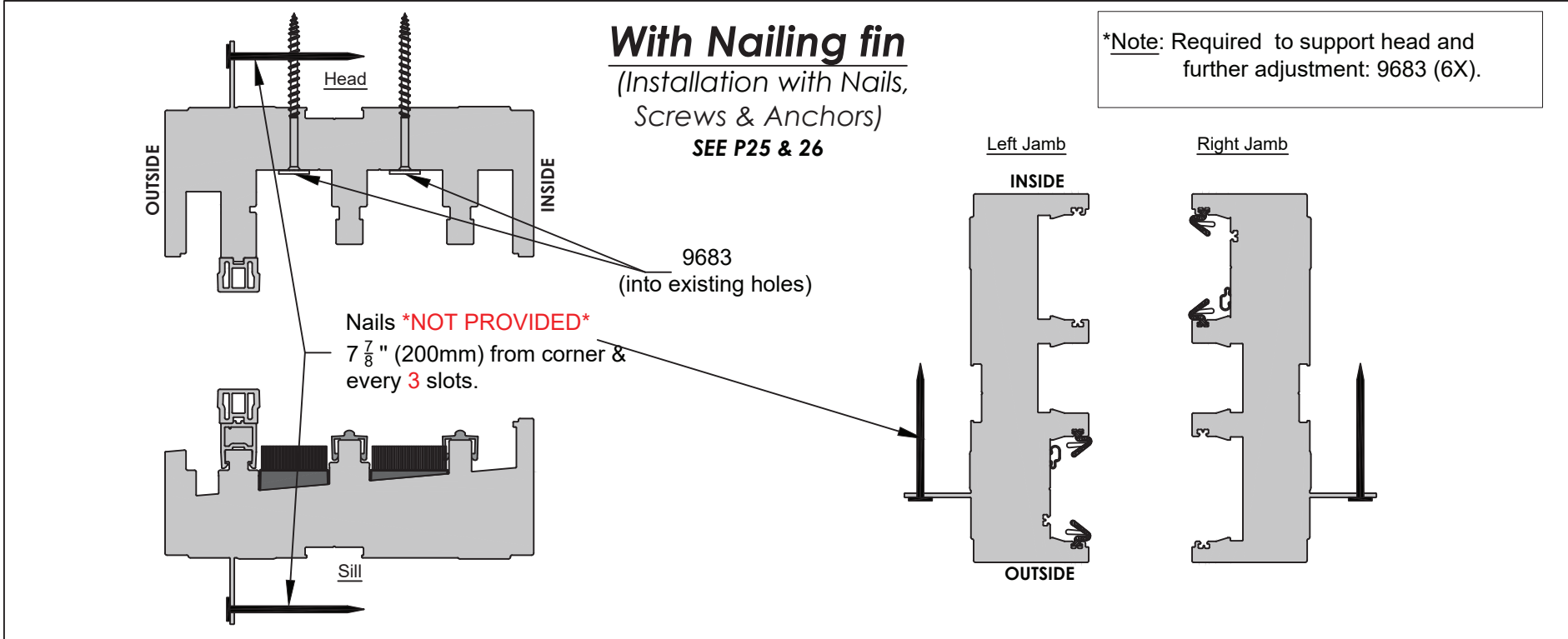
WOOD APPLICATION
 (Installation with Screws & Anchors)
 SEE P22

CONCRETE APPLICATION
 (Installation with Tapcon screws)
 SEE P23 & 24

DCN - 8786AD	CREATOR - MONG	SHEET NO. - 13 OF 72	REPLACES -
REV - 0	PCR - V1042	DATE - 10/17/23	REV. BY - MONG / BLUME
COMMENTS - INITIAL DRAWING CREATION ADDED INSTALLATION INSTRUCTION PART # MAY 2026		XXO MULTI TRACK PATIO DOOR - FRAME ASSEMBLY - ASSEMBLY PART # 1300005608	
		PRODUCT - FORGENT COMPLEMENTARY MULTI-SLIDE DOOR VINYL STYLE	

NOTES:

1. UNLESS OTHERWISE SPECIFIED ALL DIMENSIONS ARE GIVEN IN INCHES. TOLERANCES ARE: DECIMALS ± .005, ANGLES ± 1/2°, FRACTIONS ± 1/64".



DCN - 7DDF9F	CREATOR - MONG	SHEET NO. - 14 OF 72	REPLACES -
REV - 0	PCR - V1042	DATE - 10/17/23	REV. BY - MONG / BLUME
COMMENTS - INITIAL DRAWING CREATION ADDED INSTALLATION INSTRUCTION PART # MAY 2026			XXO MULTI TRACK PATIO DOOR - FRAME ASSEMBLY - ASSEMBLY PART # 1300005608
			PRODUCT - FORGENT COMPLEMENTARY MULTI-SLIDE DOOR VINYL STYLE

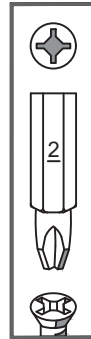
NOTES:

1. UNLESS OTHERWISE SPECIFIED ALL DIMENSIONS ARE GIVEN IN INCHES. TOLERANCES ARE: DECIMALS ± .005, ANGLES ± 1/2°, FRACTIONS ± 1/64".

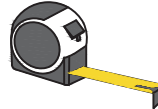
Tools and hardware required for this step



Impact
(1X)



Screwdriver Bits
(1X)



Measuring Tape
(1X)



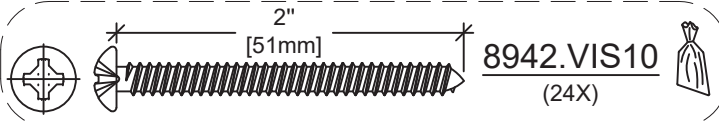
Pencil
(1X)



Screwdriver Bit
Quadrex 6" #2 (1X)



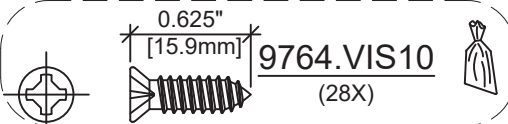
08375.58.SACn1.3V : FRAME & SASH Hardware bag



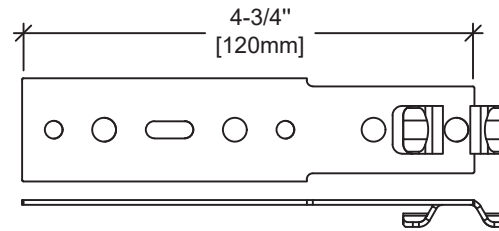
8942.VIS10
(24X)



09750.00.INST.3VMP Installation bag



9764.VIS10
(28X)



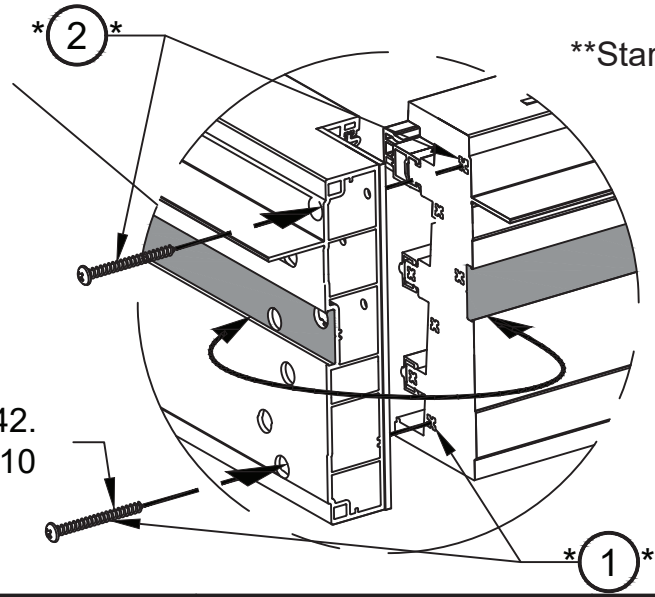
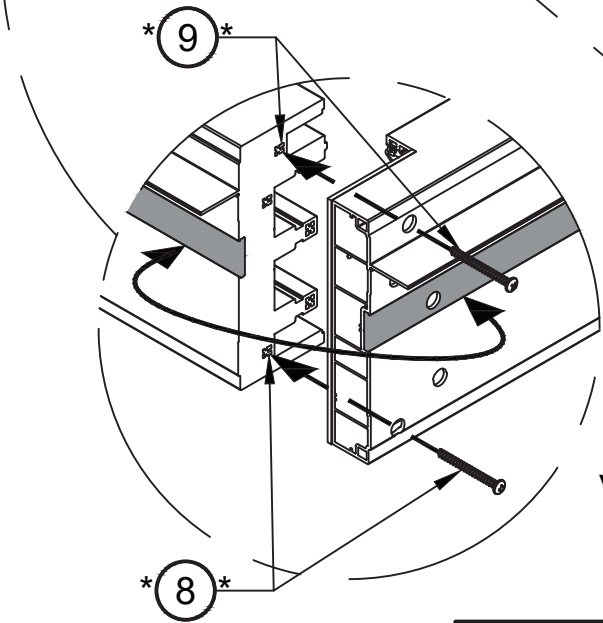
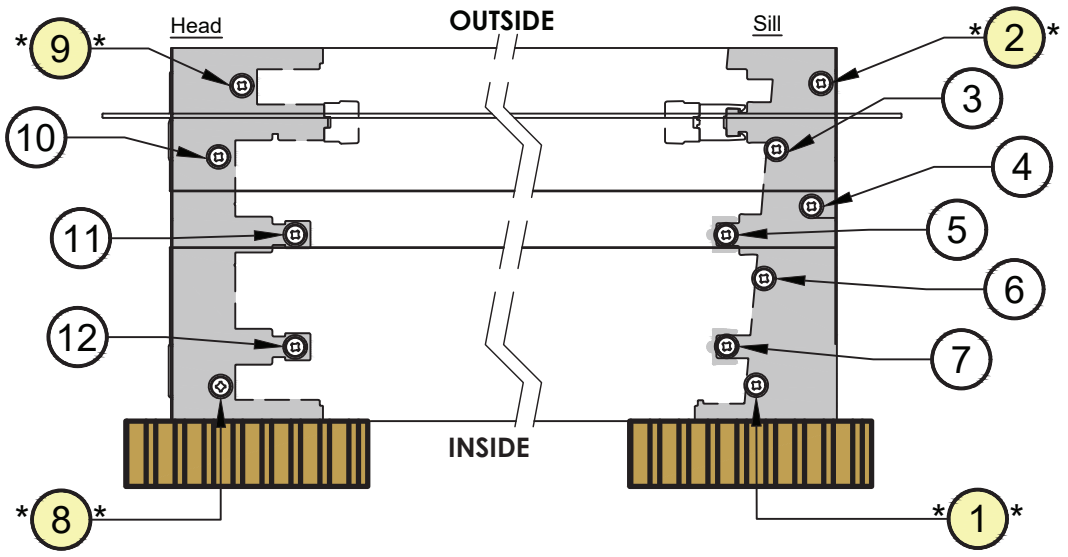
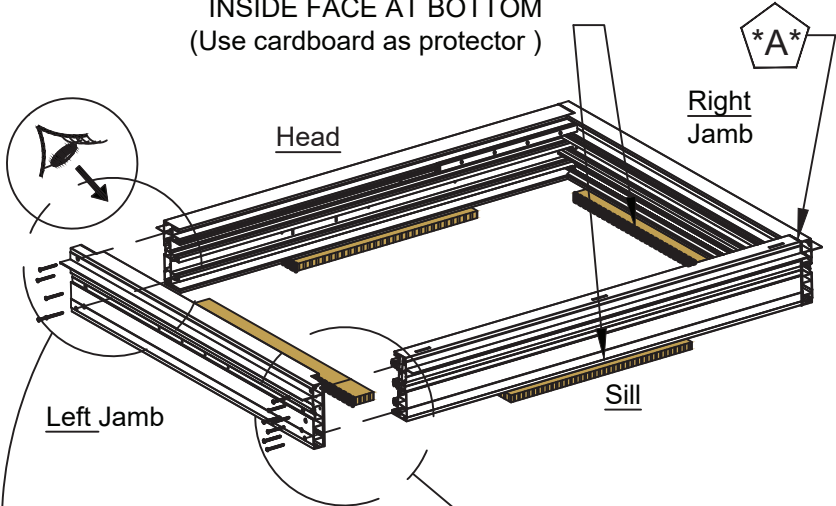
9859
(14X)

DCN - 10BF59	CREATOR - MONG	SHEET NO. - 15 OF 72	REPLACES -
REV - 0	PCR - V1042	DATE - 10/17/23	REV. BY - MONG / BLUME
COMMENTS - INITIAL DRAWING CREATION ADDED INSTALLATION INSTRUCTION PART # MAY 2026			XXO MULTI TRACK PATIO DOOR - FRAME ASSEMBLY - ASSEMBLY PART # 1300005608
			PRODUCT - FORGENT COMPLEMENTARY MULTI-SLIDE DOOR VINYL STYLE

NOTES:

1. UNLESS OTHERWISE SPECIFIED ALL DIMENSIONS ARE GIVEN IN INCHES. TOLERANCES ARE: DECIMALS ± .005, ANGLES ± 1/2°, FRACTIONS ± 1/64".

INSIDE FACE AT BOTTOM
(Use cardboard as protector)



**Start fastening to only align screw boxes.
Sill:(1&2) / Head:(8&9)

(Do not completely fastening until all screws are inserting)

A
IMPORTANT:
Make sure all corners are squared and face are aligned when fastening.

DCN - 69B8D7	CREATOR - MONG	SHEET NO. - 16 OF 72	REPLACES -
REV - 0	PCR - V1042	DATE - 10/17/23	REV. BY - MONG / BLUME
COMMENTS - INITIAL DRAWING CREATION ADDED INSTALLATION INSTRUCTION PART # MAY 2026		XXO MULTI TRACK PATIO DOOR - FRAME ASSEMBLY - ASSEMBLY PART # 1300005608	
		PRODUCT - FORGENT COMPLEMENTARY MULTI-SLIDE DOOR VINYL STYLE	

NOTES:

1. UNLESS OTHERWISE SPECIFIED ALL DIMENSIONS ARE GIVEN IN INCHES. TOLERANCES ARE: DECIMALS ± .005. ANGLES ± 1/2°. FRACTIONS ± 1/64".

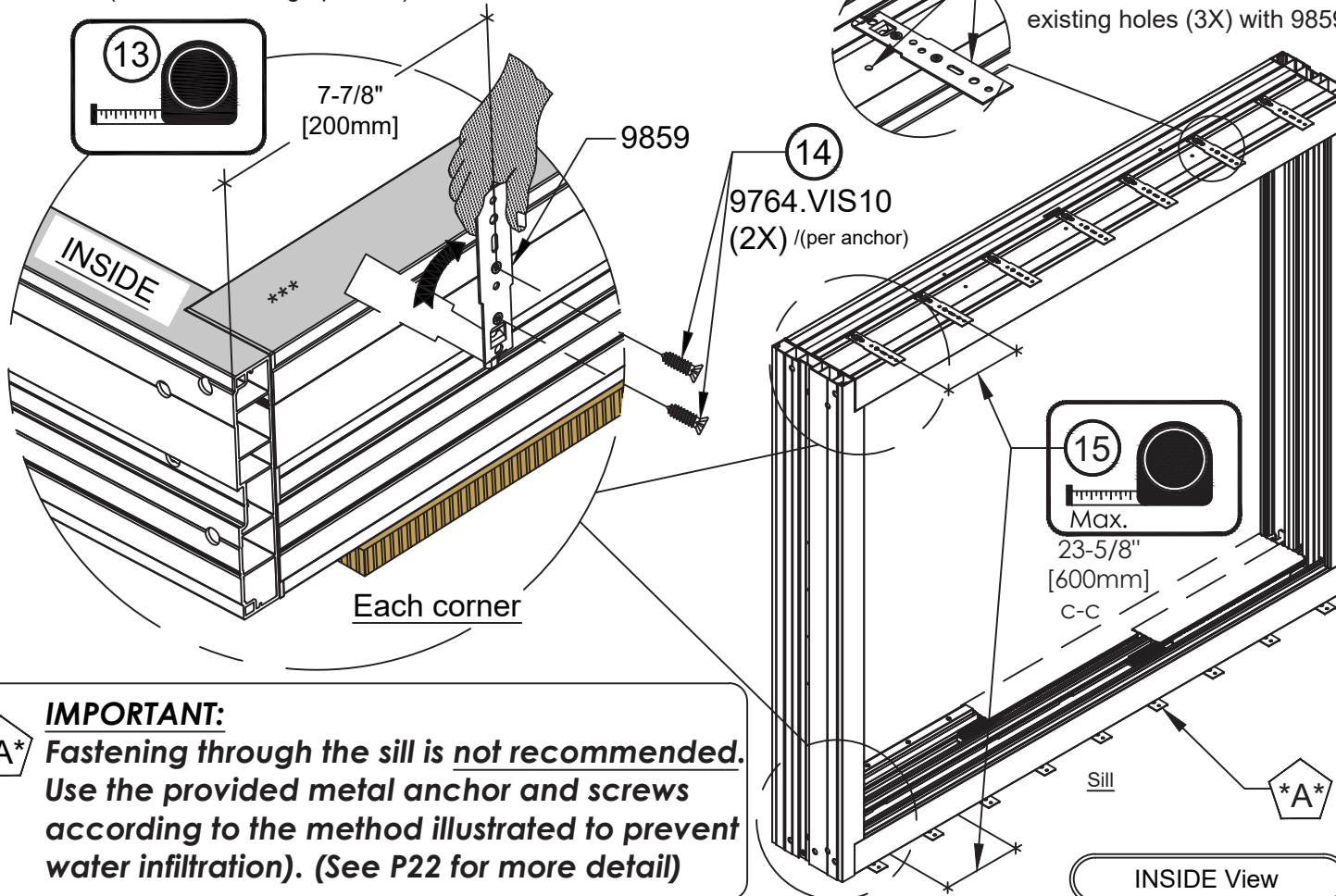
NOTE

US Installation W/O Nailing Fin in WOOD-Frame construction (See P13)

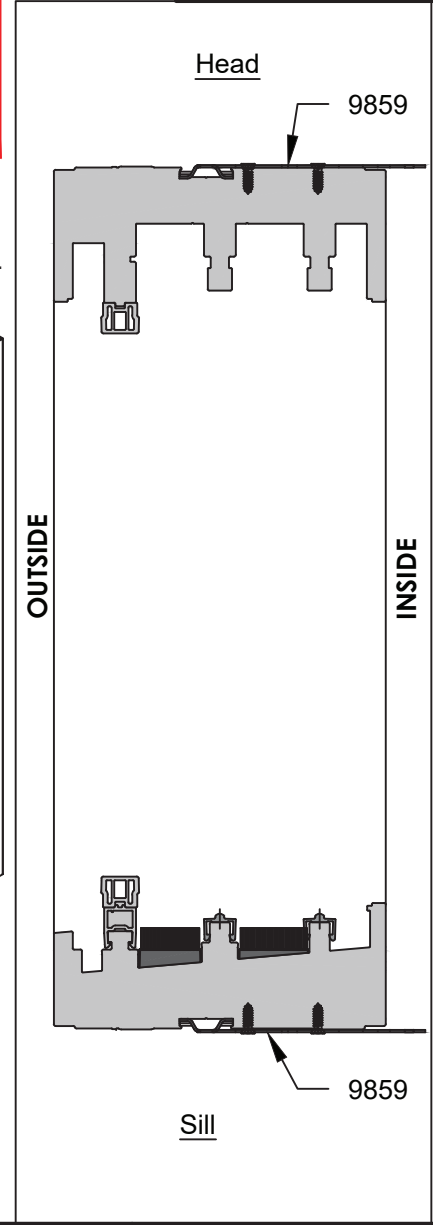
(Do not take care of this page for concrete application or frame with Nailing Fin)

Flip over the frame
 (Inner face facing upwards)

WARNING:
 Make sure not to hide the existing holes (3X) with 9859.



IMPORTANT:
 A Fastening through the sill is not recommended. Use the provided metal anchor and screws according to the method illustrated to prevent water infiltration). (See P22 for more detail)



DCN - 229F21	CREATOR - MONG	SHEET NO. - 17 OF 72	REPLACES -
REV - 0	PCR - V1042	DATE - 10/17/23	REV. BY - MONG / BLUME
COMMENTS - INITIAL DRAWING CREATION ADDED INSTALLATION INSTRUCTION PART # MAY 2026		XXO MULTI TRACK PATIO DOOR - FRAME ASSEMBLY - ASSEMBLY PART # 1300005608	
		PRODUCT - FORGENT COMPLEMENTARY MULTI-SLIDE DOOR VINYL STYLE	

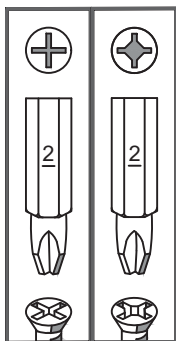
NOTES:

1. UNLESS OTHERWISE SPECIFIED ALL DIMENSIONS ARE GIVEN IN INCHES. TOLERANCES ARE: DECIMALS ± .005, ANGLES ± 1/2°, FRACTIONS ± 1/64".

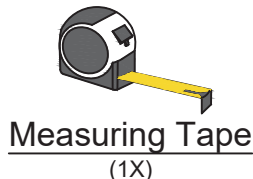
Tools and hardware required for this step



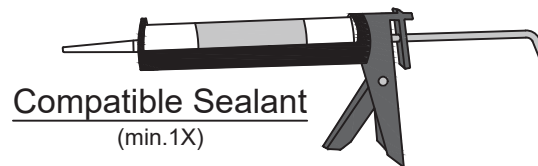
Impact
(1X)



Screwdriver Bits
(2X)



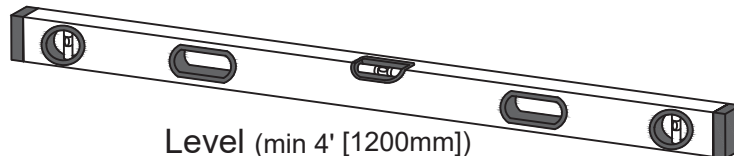
Measuring Tape
(1X)



Compatible Sealant
(min.1X)



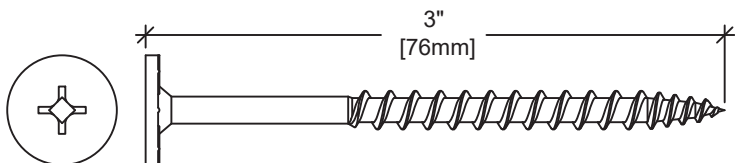
Screwdriver Bit
Quadrex 6" #2 (1X)



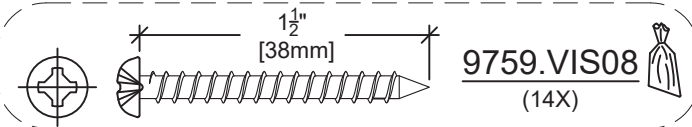
Level (min 4' [1200mm])
(1X)



09750.00.INST.3VMP Installation bag



9683.VIS10
(14X)



9759.VIS08
(14X)



IMPORTANT:
Hardware are provided for Installation in
Wood-frame construction.
Nails or Tapcon screws* are NOT PROVIDED.

*Concrete application:

- If required, enlarge existing holes in Jambs & Head according to the selected Tapcon screws dimension.
- Additional holes are required in Head & Sill according to the Installation Standard (See P23-24).



Drill Bit
(min.1X)

DCN - 62ECE0	CREATOR - MONG	SHEET NO. - 18 OF 72	REPLACES -
REV - 0	PCR - V1042	DATE - 10/17/23	REV. BY - MONG / BLUME
COMMENTS - INITIAL DRAWING CREATION ADDED INSTALLATION INSTRUCTION PART # MAY 2026		XXO MULTI TRACK PATIO DOOR - INSTALLATION OF THE FRAME - ASSEMBLY PART # 1300005608	
		PRODUCT - FORGENT COMPLEMENTARY MULTI-SLIDE DOOR VINYL STYLE	

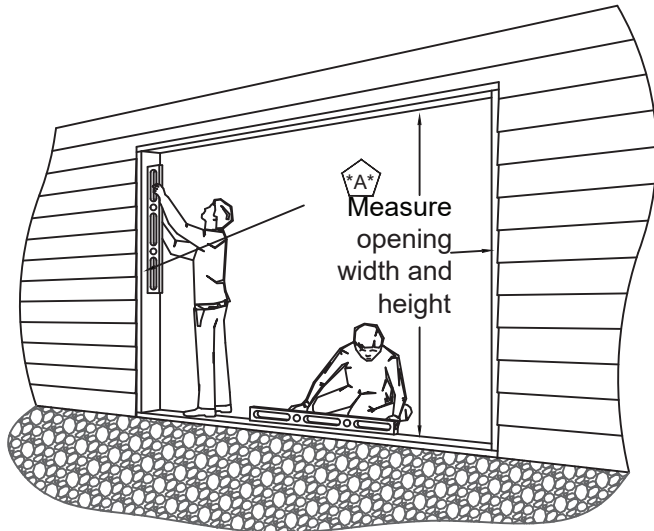
NOTES:

1. UNLESS OTHERWISE SPECIFIED ALL DIMENSIONS ARE GIVEN IN INCHES. TOLERANCES ARE: DECIMALS ± .005, ANGLES ± 1/2°, FRACTIONS ± 1/64".

****** CAUTION: The product must be installed in conformance with the following standards USA:**
AAMA 2400, AAMA 2410 and IPCB.



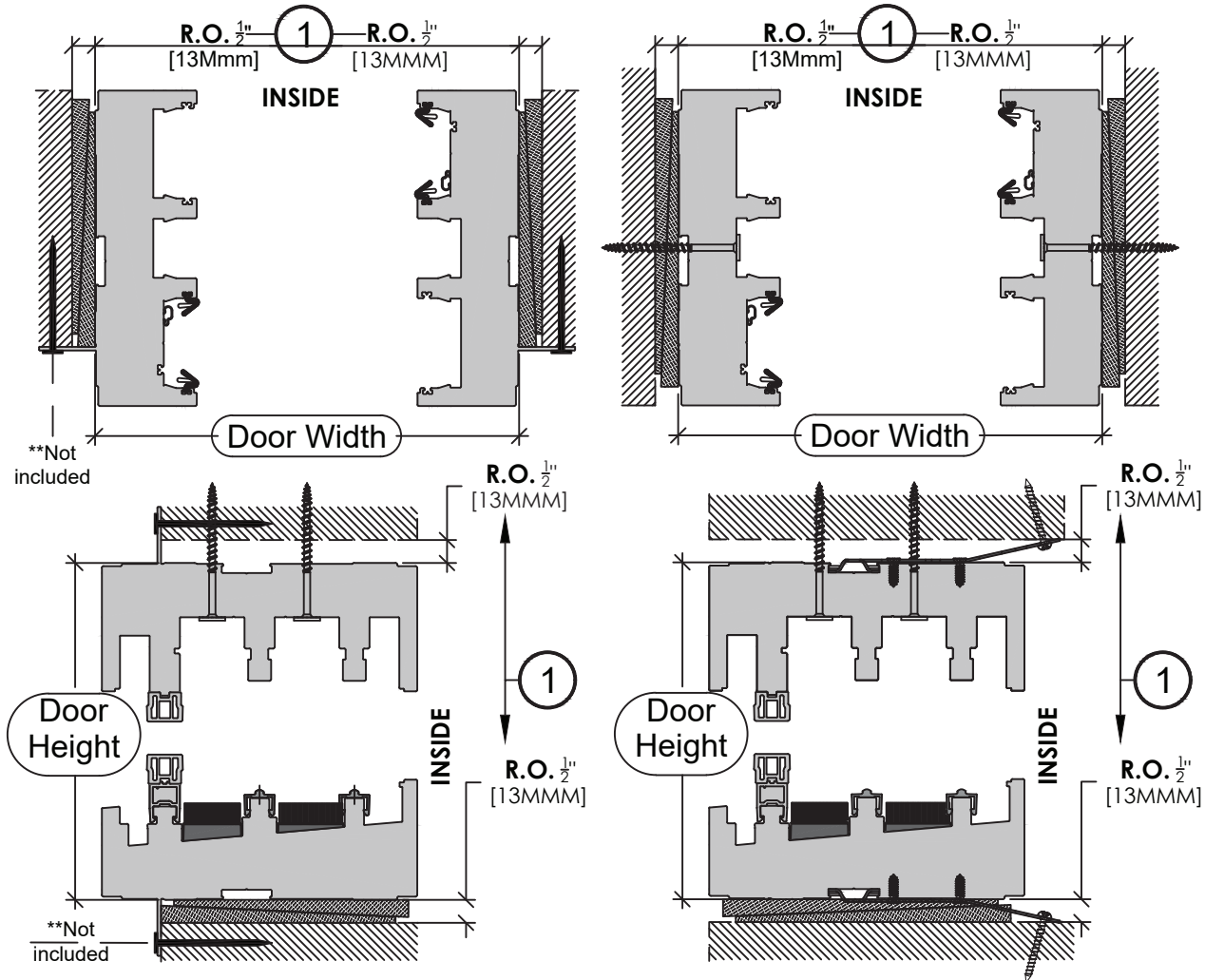
****** Be sure to also follow local applicable building code requirements. ******



1 An improper fit will impact the performance of the door. (too narrow or too large)

With Nailing Fin

W/O Nailing Fin



*****Note: US Installation illustrated*****

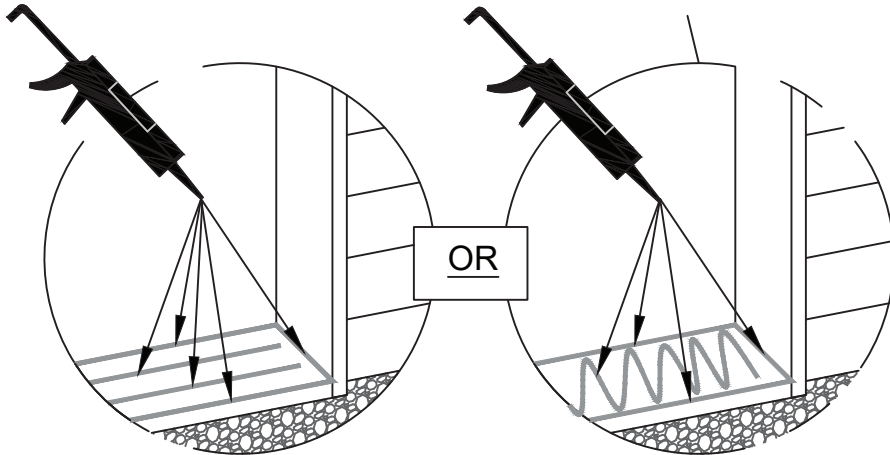
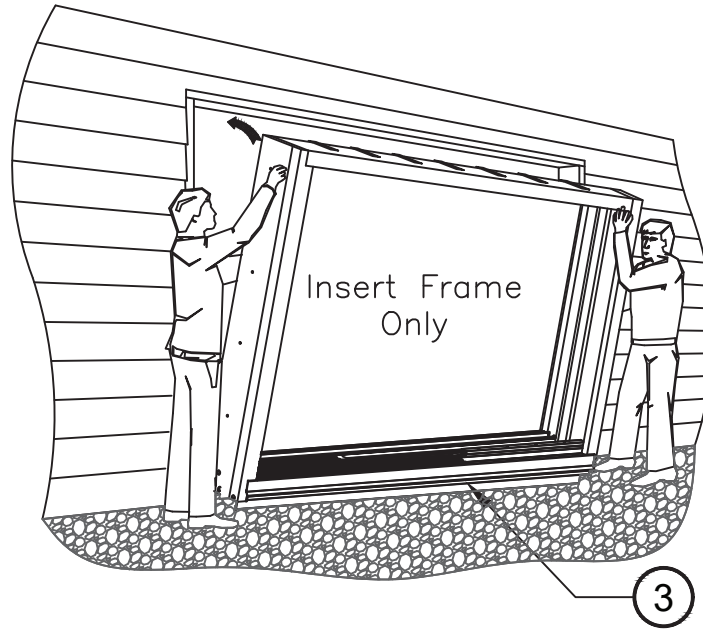
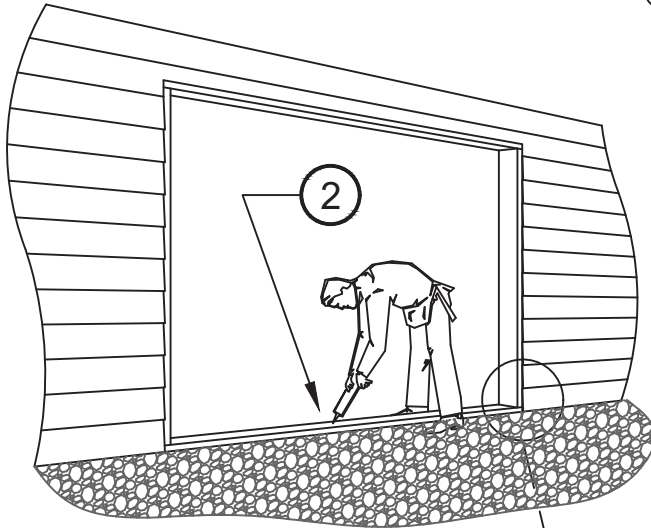
(Concrete application not illustrated: R.O. = 1/2" [13mm] all around)

DCN - 67D525	CREATOR - MONG	SHEET NO. - 19 OF 72	REPLACES -
REV - 0	PCR - V1042	DATE - 10/17/23	REV. BY - MONG / BLUME
COMMENTS - INITIAL DRAWING CREATION ADDED INSTALLATION INSTRUCTION PART # MAY 2026		XXO MULTI TRACK PATIO DOOR - INSTALLATION OF THE FRAME - ASSEMBLY PART # 13000056	
		PRODUCT - FORGENT COMPLEMENTARY MULTI-SLIDE DOOR VINYL STYLE	

NOTES:

1. UNLESS OTHERWISE SPECIFIED ALL DIMENSIONS ARE GIVEN IN INCHES. TOLERANCES ARE: DECIMALS ± .005, ANGLES ± 1/2°, FRACTIONS ± 1/64".

OUTSIDE View



Insert frame in the Rough Opening:

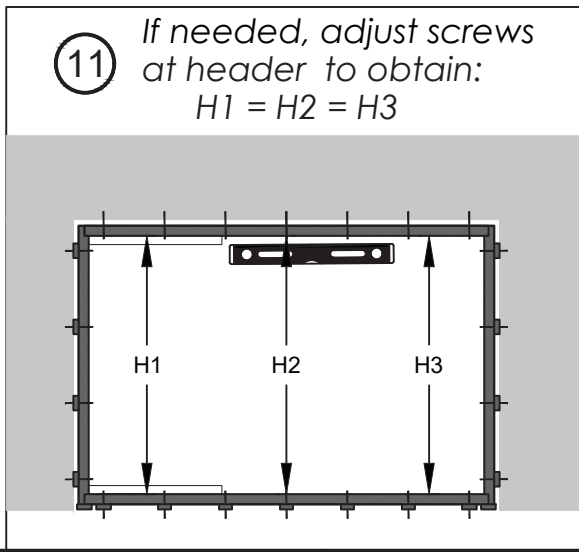
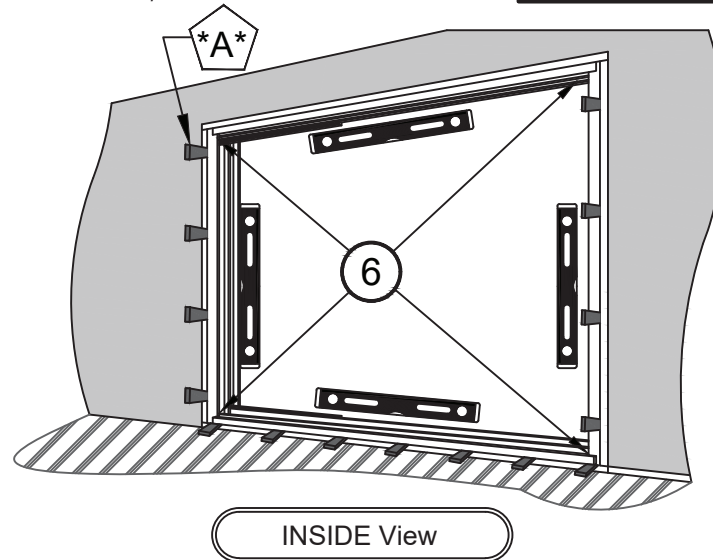
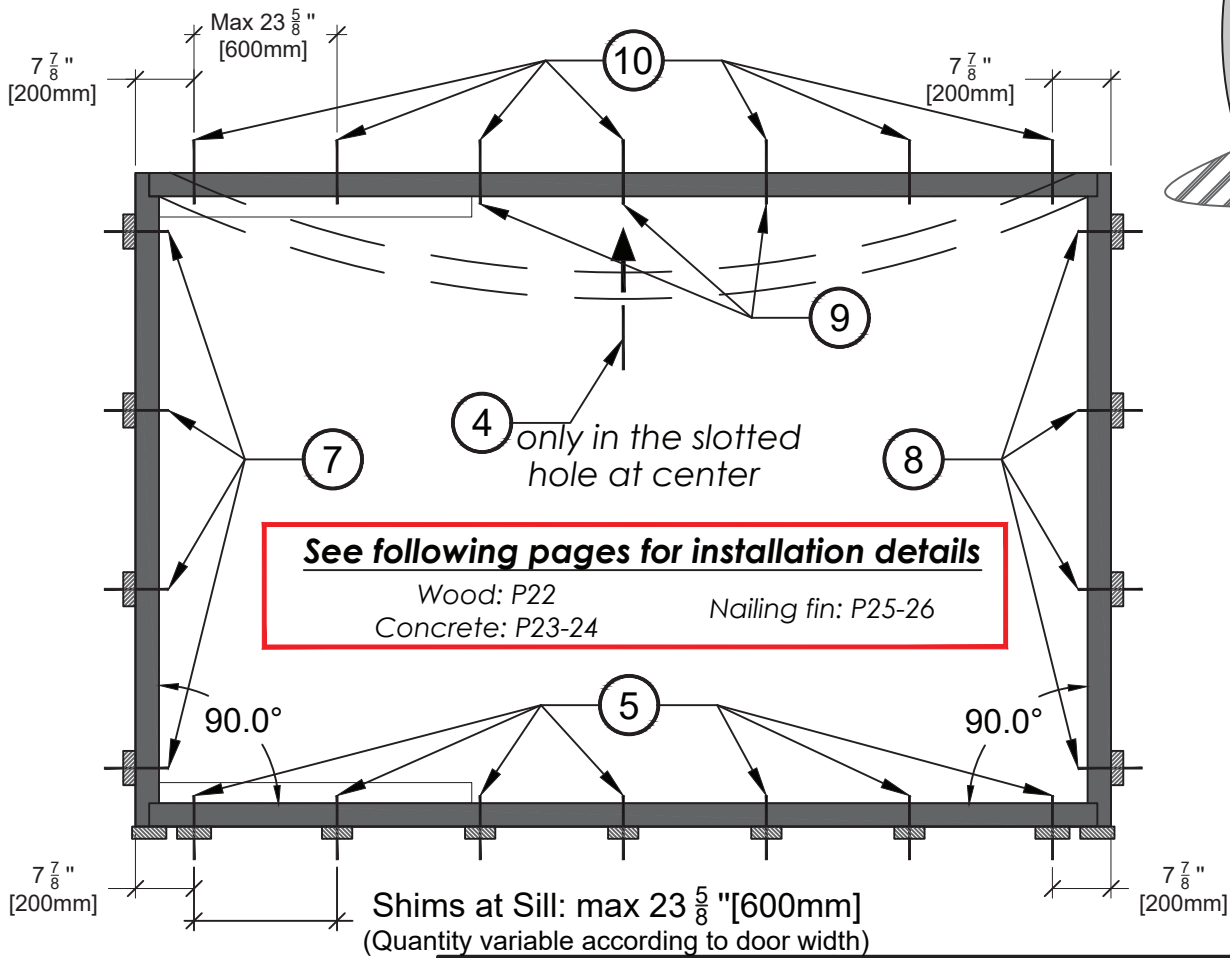
- 2) Apply generous bead of good quality sealant all along the sill.
 (Min Sealant bead = $\frac{5}{8}$ " [15mm]).
- 3) Install the door frame in the opening, sill first.
 ***Make sure that the sealant joint is continuous and sufficient between the door sill and the floor.

DCN - 5927D6	CREATOR - MONG	SHEET NO. - 20 OF 72	REPLACES -
REV - 0	PCR - V1042	DATE - 10/17/23	REV. BY - MONG / BLUME
COMMENTS - INITIAL DRAWING CREATION ADDED INSTALLATION INSTRUCTION PART # MAY 2026			XXO MULTI TRACK PATIO DOOR - INSTALLATION OF THE FRAME - ASSEMBLY PART # 1300005608
			PRODUCT - FORGENT COMPLEMENTARY MULTI-SLIDE DOOR VINYL STYLE

NOTES:

1. UNLESS OTHERWISE SPECIFIED ALL DIMENSIONS ARE GIVEN IN INCHES. TOLERANCES ARE: DECIMALS ± .005, ANGLES ± 1/2°, FRACTIONS ± 1/64".

ATTENTION: -Improper shimming will bow the jambs.
 -Use Shims below jambs, and at each anchoring point on jambs and sill.
 -Do not use shims at head.
 -Make sure jambs are straight for optimal performance.



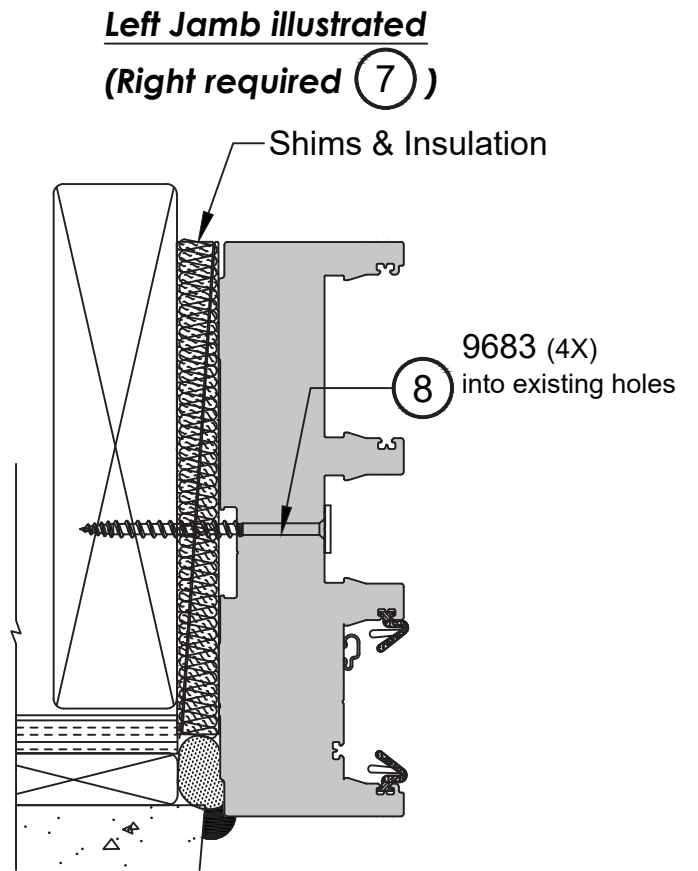
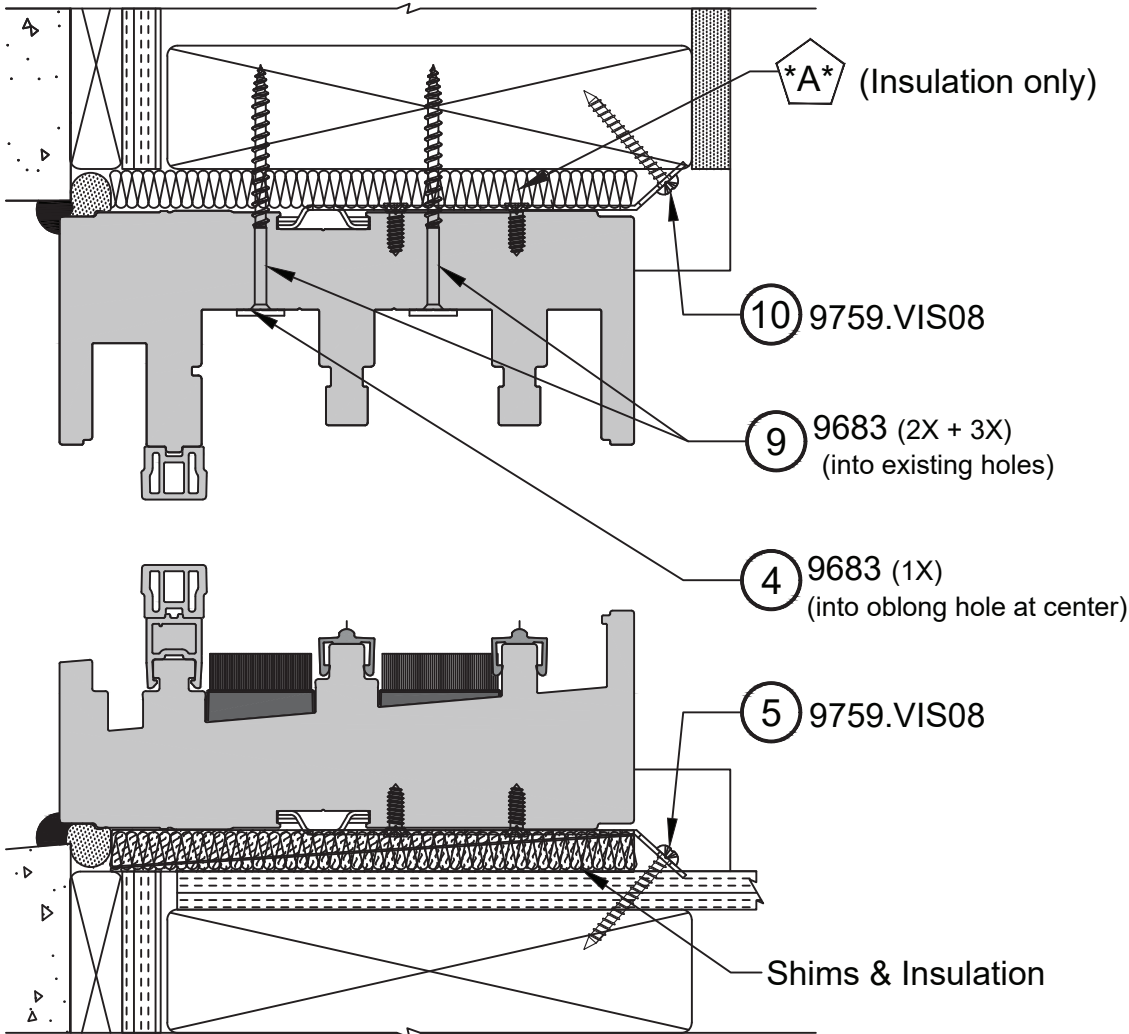
DCN - 5FD69C	CREATOR - MONG	SHEET NO. - 21 OF 72	REPLACES -
REV - 0	PCR - V1042	DATE - 10/17/23	REV. BY - MONG / BLUME
COMMENTS - INITIAL DRAWING CREATION ADDED INSTALLATION INSTRUCTION PART # MAY 2026		XXO MULTI TRACK PATIO DOOR - INSTALLATION OF THE FRAME - ASSEMBLY PART # 1300005608	
		PRODUCT - FORGENT COMPLEMENTARY MULTI-SLIDE DOOR VINYL STYLE	

NOTES:

1. UNLESS OTHERWISE SPECIFIED ALL DIMENSIONS ARE GIVEN IN INCHES. TOLERANCES ARE: DECIMALS ± .005, ANGLES ± 1/2°, FRACTIONS ± 1/64".

A Do not use shims at the header.
A gap is necessary for building settlement.

WOOD FRAME
STRONGLY RECOMMENDED



DCN - 86B8B1	CREATOR - MONG	SHEET NO. - 22 OF 72	REPLACES -
REV - 0	PCR - V1042	DATE - 10/17/23	REV. BY - MONG / BLUME
COMMENTS - INITIAL DRAWING CREATION ADDED INSTALLATION INSTRUCTION PART # MAY 2026			XXO MULTI TRACK PATIO DOOR - INSTALLATION OF THE FRAME - ASSEMBLY PART # 1300005608
			PRODUCT - FORGENT COMPLEMENTARY MULTI-SLIDE DOOR VINYL STYLE

NOTES:
1. UNLESS OTHERWISE SPECIFIED ALL DIMENSIONS ARE GIVEN IN INCHES. TOLERANCES ARE: DECIMALS ± .005, ANGLES ± 1/2°, FRACTIONS ± 1/64".

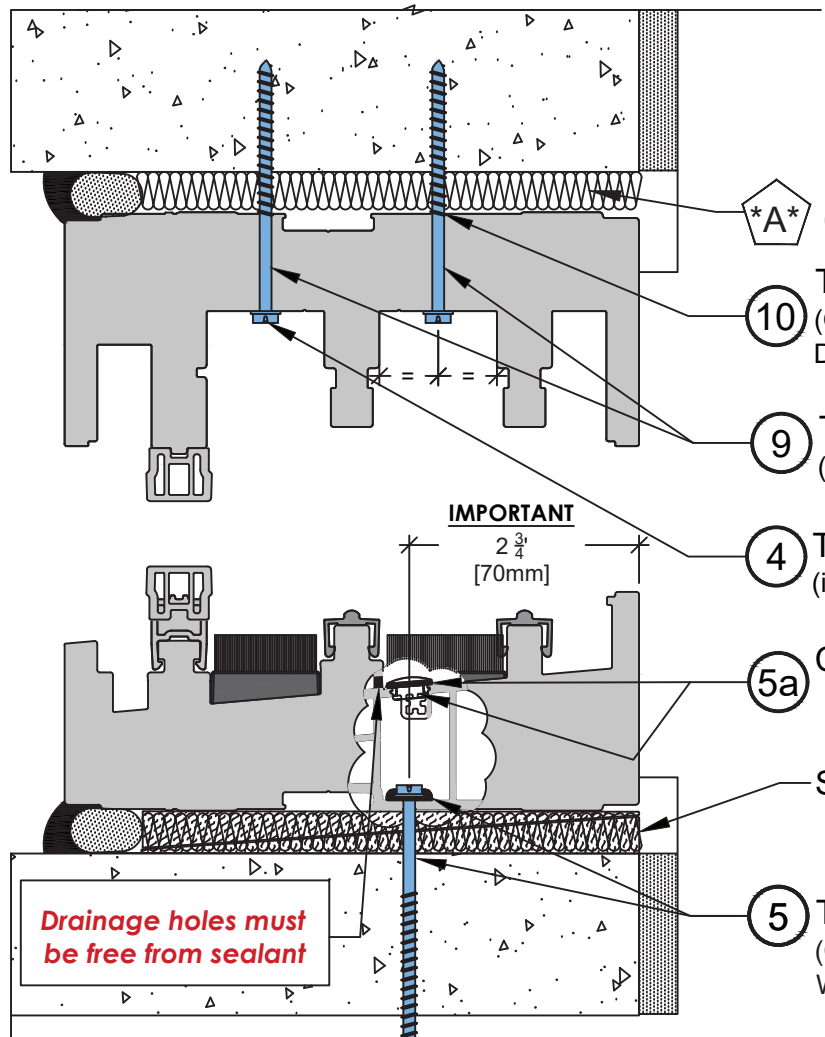
A Do not use shims at the header.
A gap is necessary for building settlement.

CONCRETE APPLICATION

- FOR INFORMATION ONLY -

(Tapcon screws & Sill caps 9667 are **NOT PROVIDED**)

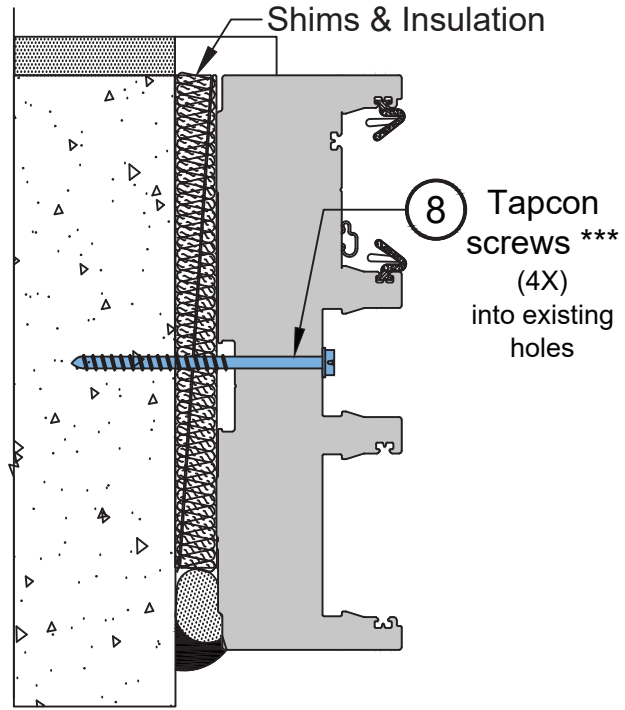
*Additional holes required at Head & Sill (See P11):
-7 7/8" (200mm) from corner & Max 23 5/8" (600mm) C-C
***According to selected screws, enlarge existing holes as needed.



- *A*** (Insulation only)
- 10** Tapcon screws * (Qty variable according to Door Width)
- 9** Tapcon screws*** (2X + 3X) (into existing holes)
- 4** Tapcon screws *** (1X) (into oblong hole at center)
- 5a** Caps 9667 & Sealant (Ø 7/16" Hole)
- Shims & Insulation
- 5** Tapcon screws* + Sealant (Qty variable according to Door Width)

Drainage holes must be free from sealant

Left Jamb illustrated
(Right required (7))



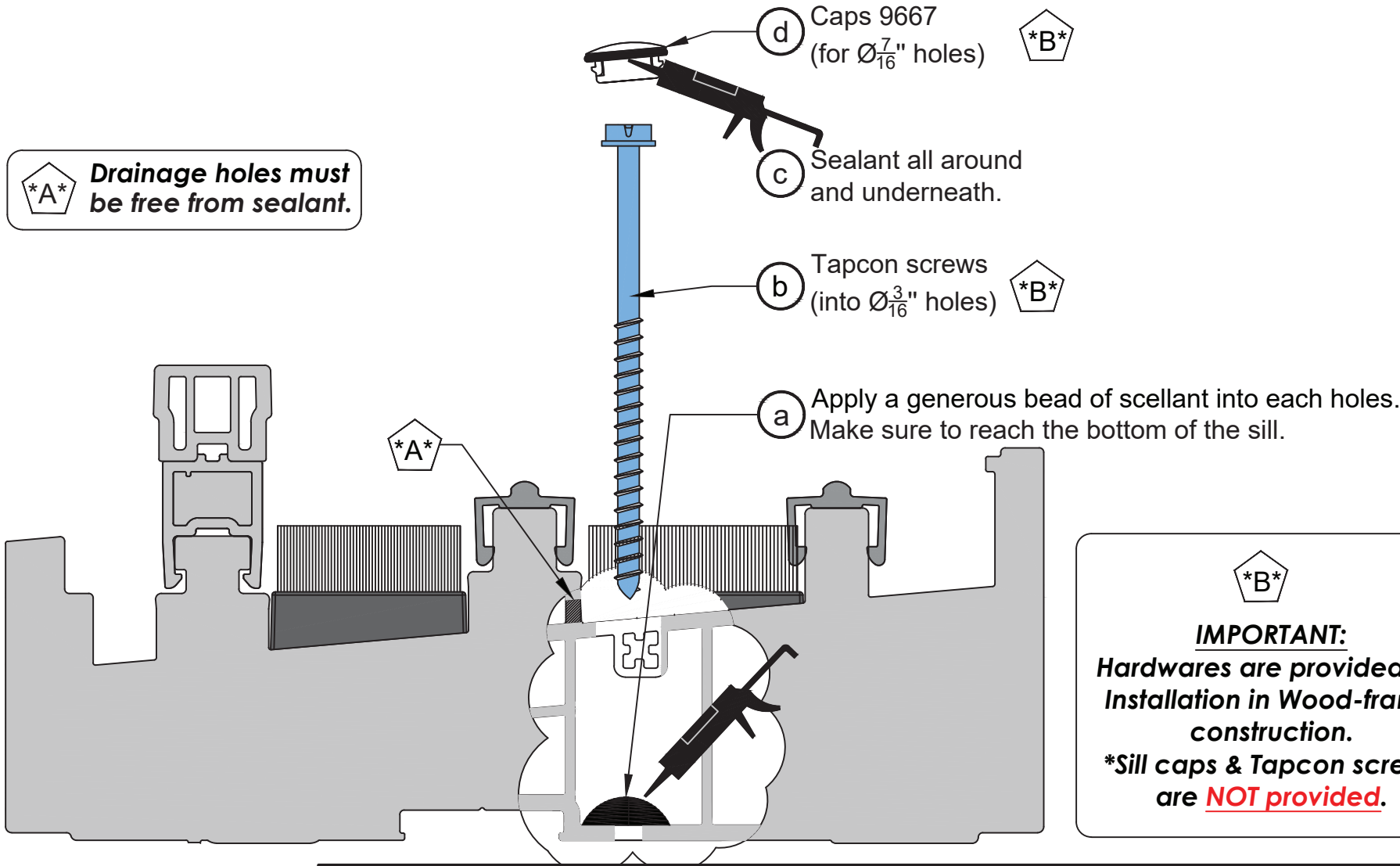
DCN - 7F225C	CREATOR - MONG	SHEET NO. - 23 OF 72	REPLACES -
REV - 0	PCR - V1042	DATE - 10/17/23	REV. BY - MONG / BLUME
COMMENTS - INITIAL DRAWING CREATION		XXO MULTI TRACK PATIO DOOR - INSTALLATION OF THE FRAME - ASSEMBLY PART # 1300005608	
ADDED INSTALLATION INSTRUCTION PART # MAY 2026		PRODUCT - FORGENT COMPLEMENTARY MULTI-SLIDE DOOR VINYL STYLE	

NOTES:

1. UNLESS OTHERWISE SPECIFIED ALL DIMENSIONS ARE GIVEN IN INCHES. TOLERANCES ARE: DECIMALS ± .005, ANGLES ± 1/2°, FRACTIONS ± 1/64".

**Sill Installation Detail : (5) + (5a) : -Make sure sill is level and plumb before fastening.
-Repeat a-b-c-d for every drilled holes in the sill.**

A Drainage holes must be free from sealant.



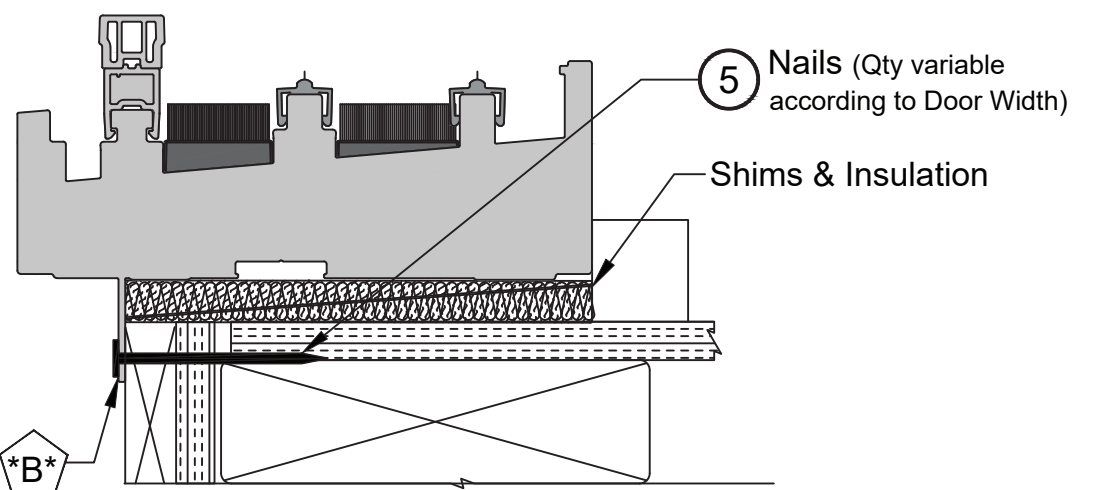
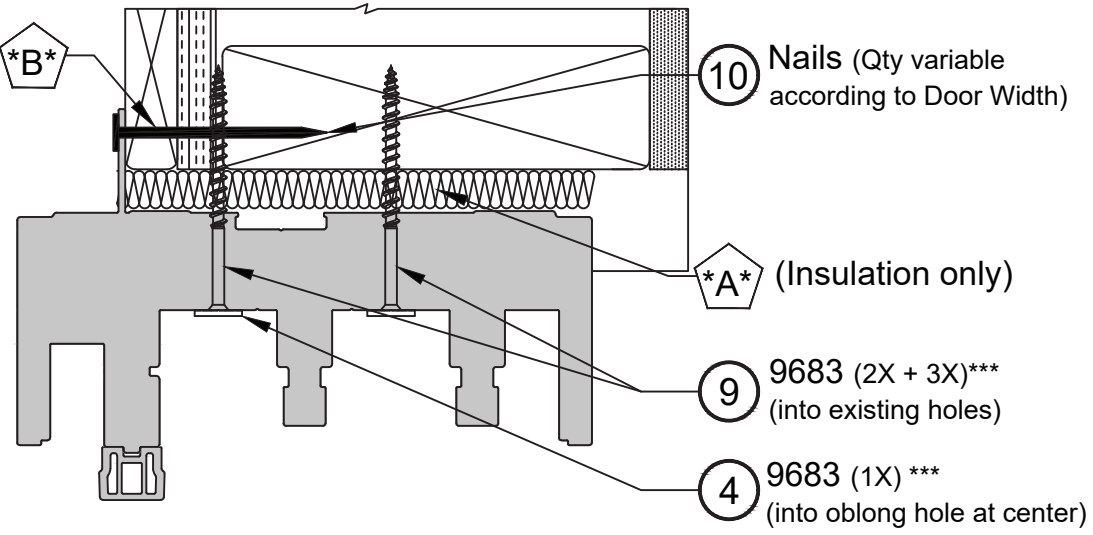
B

IMPORTANT:
Hardwares are provided for Installation in Wood-frame construction.
*Sill caps & Tapcon screws are **NOT** provided.

DCN - 8EE0EE	CREATOR - MONG	SHEET NO. - 24 OF 72	REPLACES -
REV - 0	PCR - V1042	DATE - 10/17/23	REV. BY - MONG / BLUME
COMMENTS - INITIAL DRAWING CREATION ADDED INSTALLATION INSTRUCTION PART # MAY 2026		XXO MULTI TRACK PATIO DOOR - INSTALLATION OF THE FRAME - ASSEMBLY PART # 1300005608	
		PRODUCT - FORGENT COMPLEMENTARY MULTI-SLIDE DOOR VINYL STYLE	

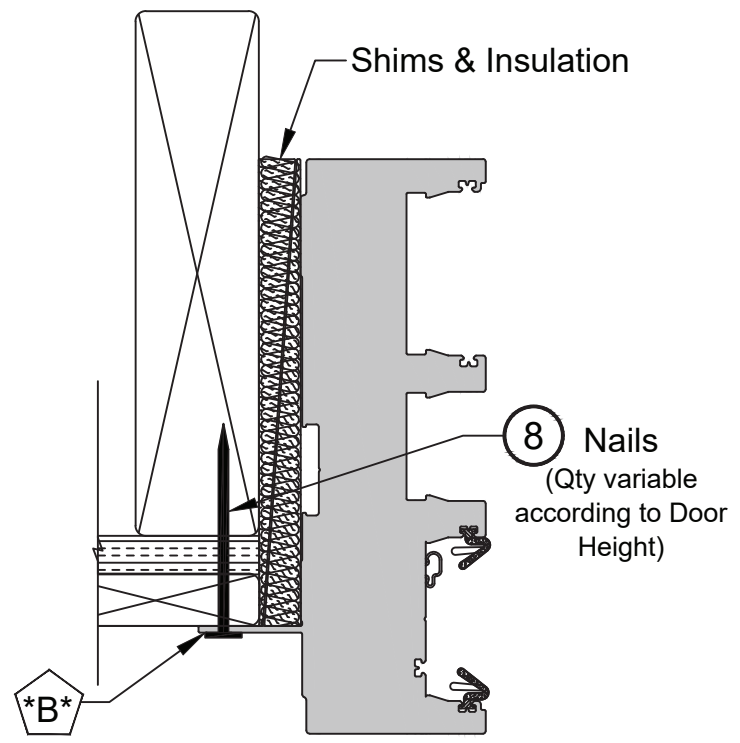
NOTES:
 1. UNLESS OTHERWISE SPECIFIED ALL DIMENSIONS ARE GIVEN IN INCHES. TOLERANCES ARE: DECIMALS ± .005, ANGLES ± 1/2°, FRACTIONS ± 1/64".

Do not use shims at the header.
A gap is necessary for building settlement.
 *** 9683 (6X): Required into existing holes to support head and further adjustment.



With Nailing Fin
- FOR INFORMATION ONLY -
 Nails are **NOT PROVIDED**:
 Positioned at $7\frac{7}{8}$ " [200mm] from each corner and spaced every 3 slots (about 12" [287mm]).

Left Jamb illustrated
(Right required (7))



DCN - 2E4B9E	CREATOR - MONG	SHEET NO. - 25 OF 72	REPLACES -
REV - 0	PCR - V1042	DATE - 10/17/23	REV. BY - MONG / BLUME
COMMENTS - INITIAL DRAWING CREATION ADDED INSTALLATION INSTRUCTION PART # MAY 2026		XXO MULTI TRACK PATIO DOOR - INSTALLATION OF THE FRAME - ASSEMBLY PAR# 1300005608	
		PRODUCT - FORGENT COMPLEMENTARY MULTI-SLIDE DOOR VINYL STYLE	

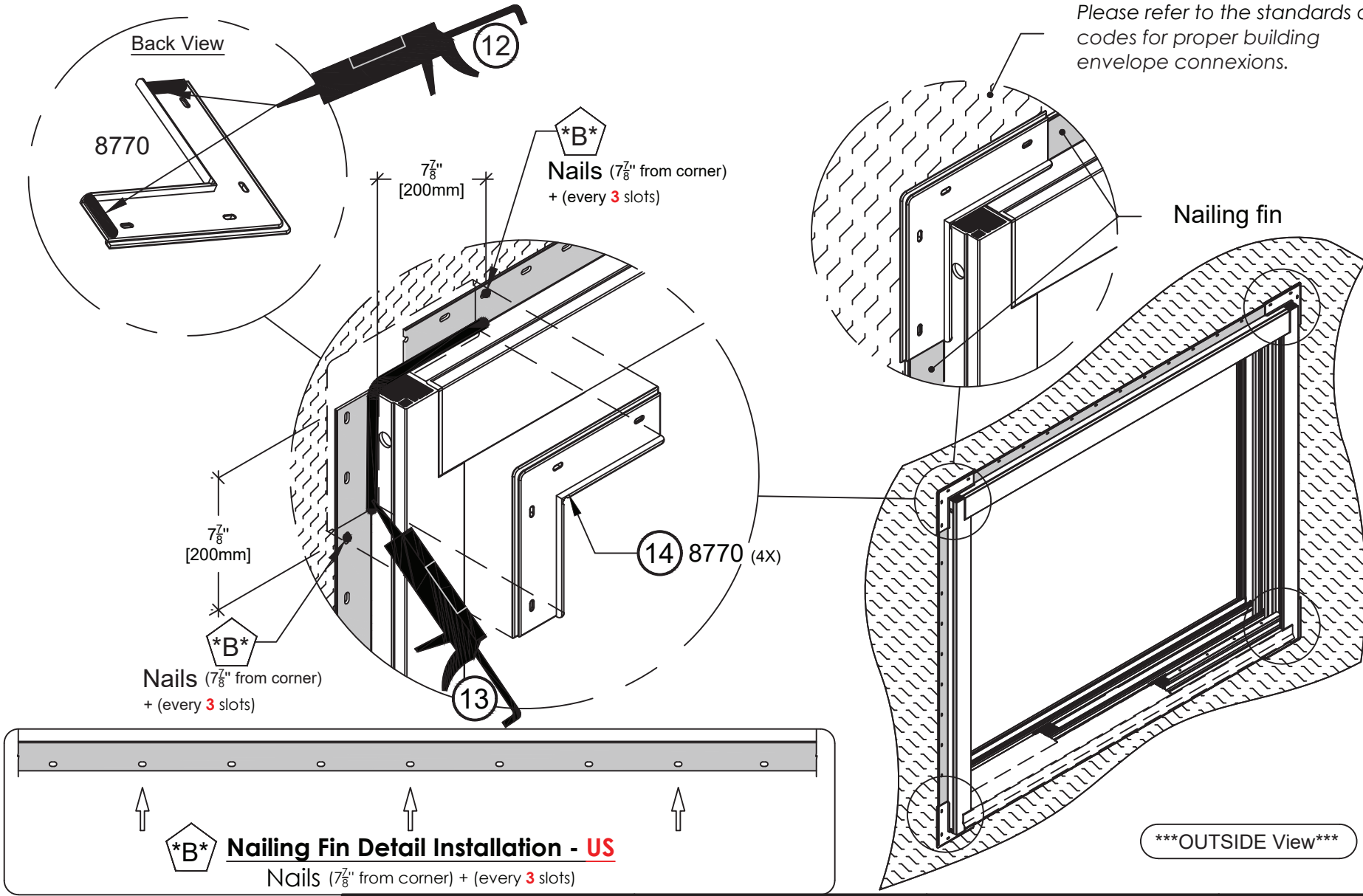
THIS DRAWING IS THE PROPERTY OF KOLBE & KOLBE MILLWORK CO., INC. THE INFORMATION THEREON IS TO BE TREATED AS CONFIDENTIAL. ALL TRADE SECRETS ARE ENTITLED TO ALL THE PROTECTIONS AND BENEFITS UNDER APPLICABLE LAW. THIS DRAWING IS NOT TO BE USED, COPIED, OR DISCLOSED TO OUTSIDE PARTIES WITHOUT OUR WRITTEN CONSENT.



NOTES:

1. UNLESS OTHERWISE SPECIFIED ALL DIMENSIONS ARE GIVEN IN INCHES. TOLERANCES ARE: DECIMALS ± .005, ANGLES ± 1/2°, FRACTIONS ± 1/64".

Please refer to the standards and codes for proper building envelope connexions.



DCN - 05F178	CREATOR - MONG	SHEET NO. - 26 OF 72	REPLACES -
REV - 0	PCR - V1042	DATE - 10/17/23	REV. BY - MONG / BLUME
COMMENTS - INITIAL DRAWING CREATION ADDED INSTALLATION INSTRUCTION PART # MAY 2026		XXO MULTI TRACK PATIO DOOR - INSTALLATION OF THE FRAME - ASSEMBLY PART # 1300005608	
		PRODUCT - FORGENT COMPLEMENTARY MULTI-SLIDE DOOR VINYL STYLE	

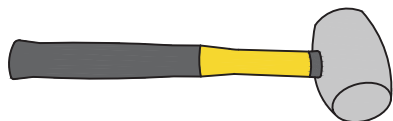
NOTES:

1. UNLESS OTHERWISE SPECIFIED ALL DIMENSIONS ARE GIVEN IN INCHES. TOLERANCES ARE: DECIMALS ± .005, ANGLES ± 1/2°, FRACTIONS ± 1/64".

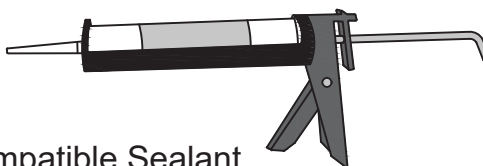
Tools and components required for this step



Impact
(1X)



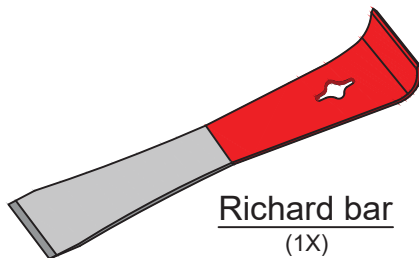
Rubber Mallet
(1X)



Compatible Sealant
(min. 1X)



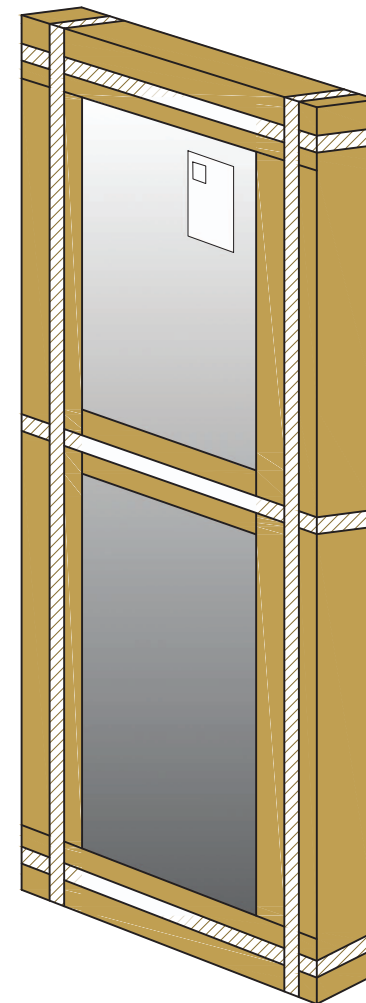
Screwdriver Bit
Quadrex 6" #2 (1X)



Richard bar
(1X)



Invisible Lubricant Silicone
(1X)



FIXED Sash Box
(1X)

08375..SACn1.3V : FRAME & SASH Hardware bag**

8784
(1X)

9876.VIS08
(4X)

9853
(5X)

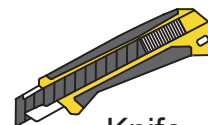
9667.CAPUC (4X)

9667.CAPUC (4X)

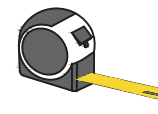
9667.CAPUC (4X)

If painted door (IN=Inside), rather use parts from the red bag in Sash box.

Except : See color list P3-P4



Knife
(1X)



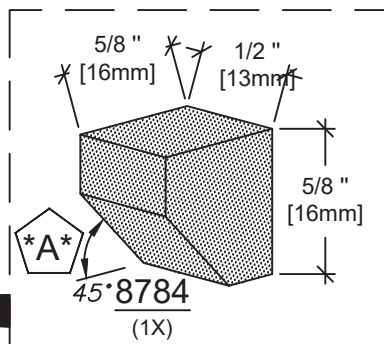
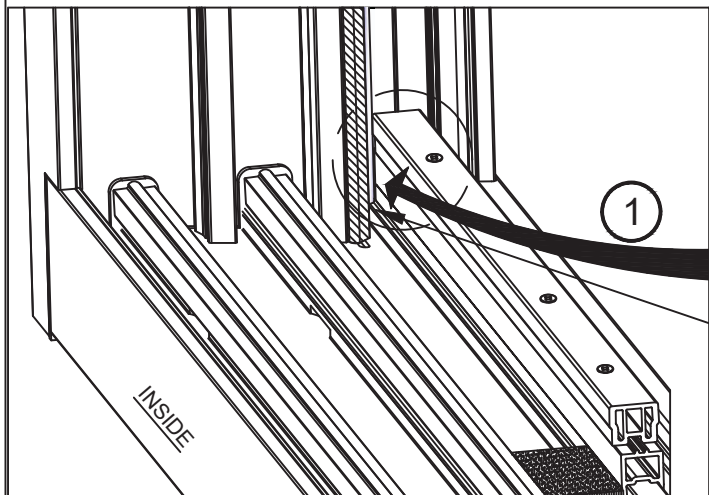
Measuring Tape
(1X)

DCN - 780EF4	CREATOR - MONG	SHEET NO. - 27 OF 72	REPLACES -
REV - 0	PCR - V1042	DATE - 10/17/23	REV. BY - MONG / BLUME
COMMENTS - INITIAL DRAWING CREATION ADDED INSTALLATION INSTRUCTION PART # MAY 2026		XXO MULTI TRACK PATIO DOOR - INSTALLATION OF THE FIXED SASH - ASSEMBLY PART # 1300005608	
		PRODUCT - FORGENT COMPLEMENTARY MULTI-SLIDE DOOR VINYL STYLE	

NOTES:

1. UNLESS OTHERWISE SPECIFIED ALL DIMENSIONS ARE GIVEN IN INCHES. TOLERANCES ARE: DECIMALS ± .005, ANGLES ± 1/2°, FRACTIONS ± 1/64".

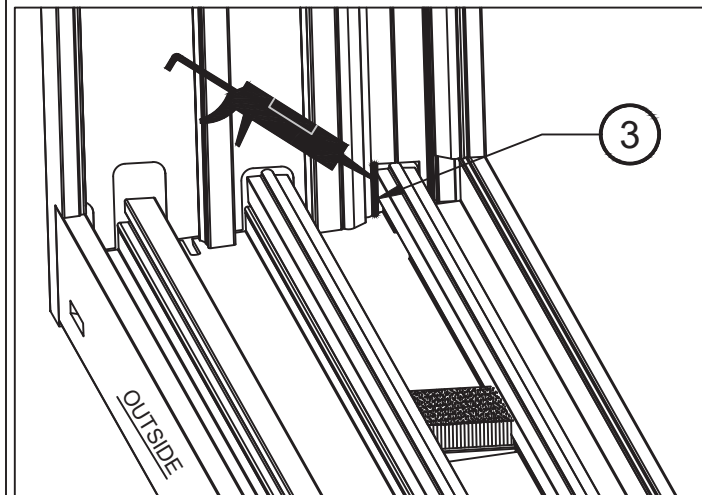
FIXED SASH Side



Note

This weatherstrip is not shown on Detail View to show the Bulb weatherstrip behind.

MOBILE SASH Side

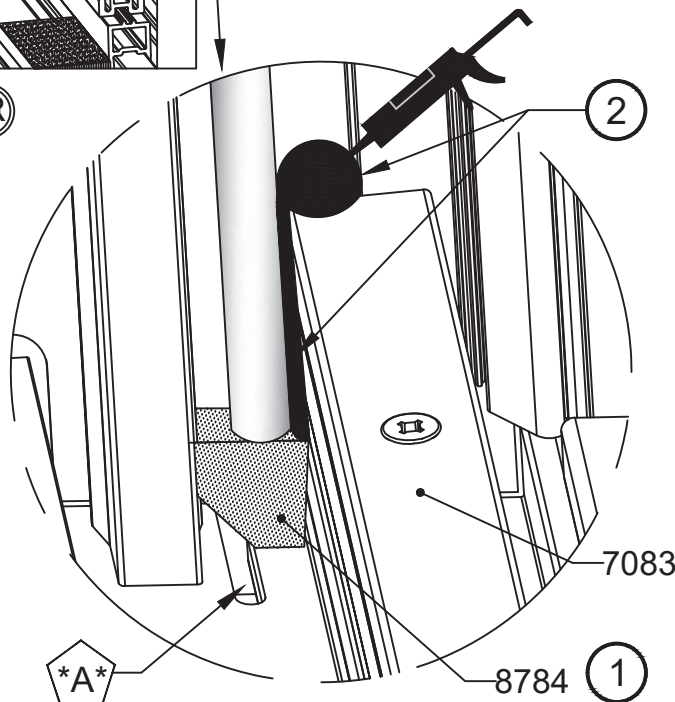


Vue de l'INTÉRIEUR

IMPORTANT:
 Drainage holes
 must be free.

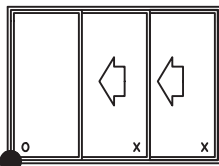


Pay attention to the
 angle on part 8784
 when positioning.

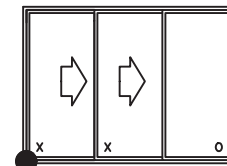


*****OUTSIDE View*****

INSIDE



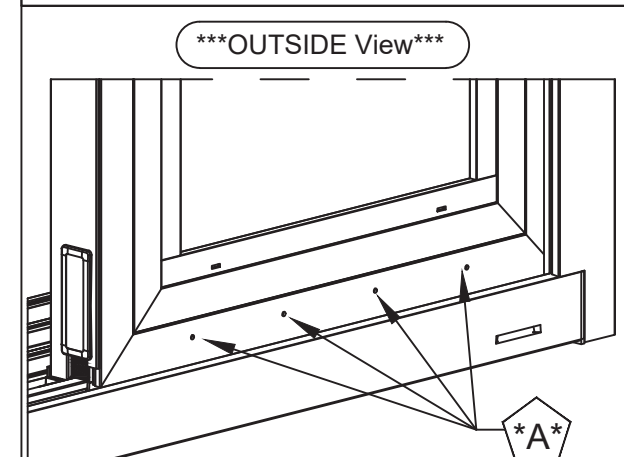
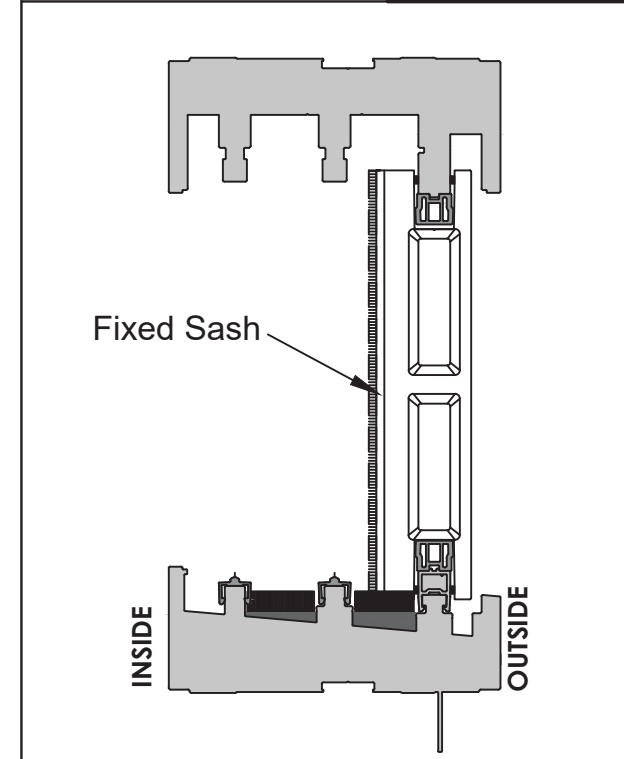
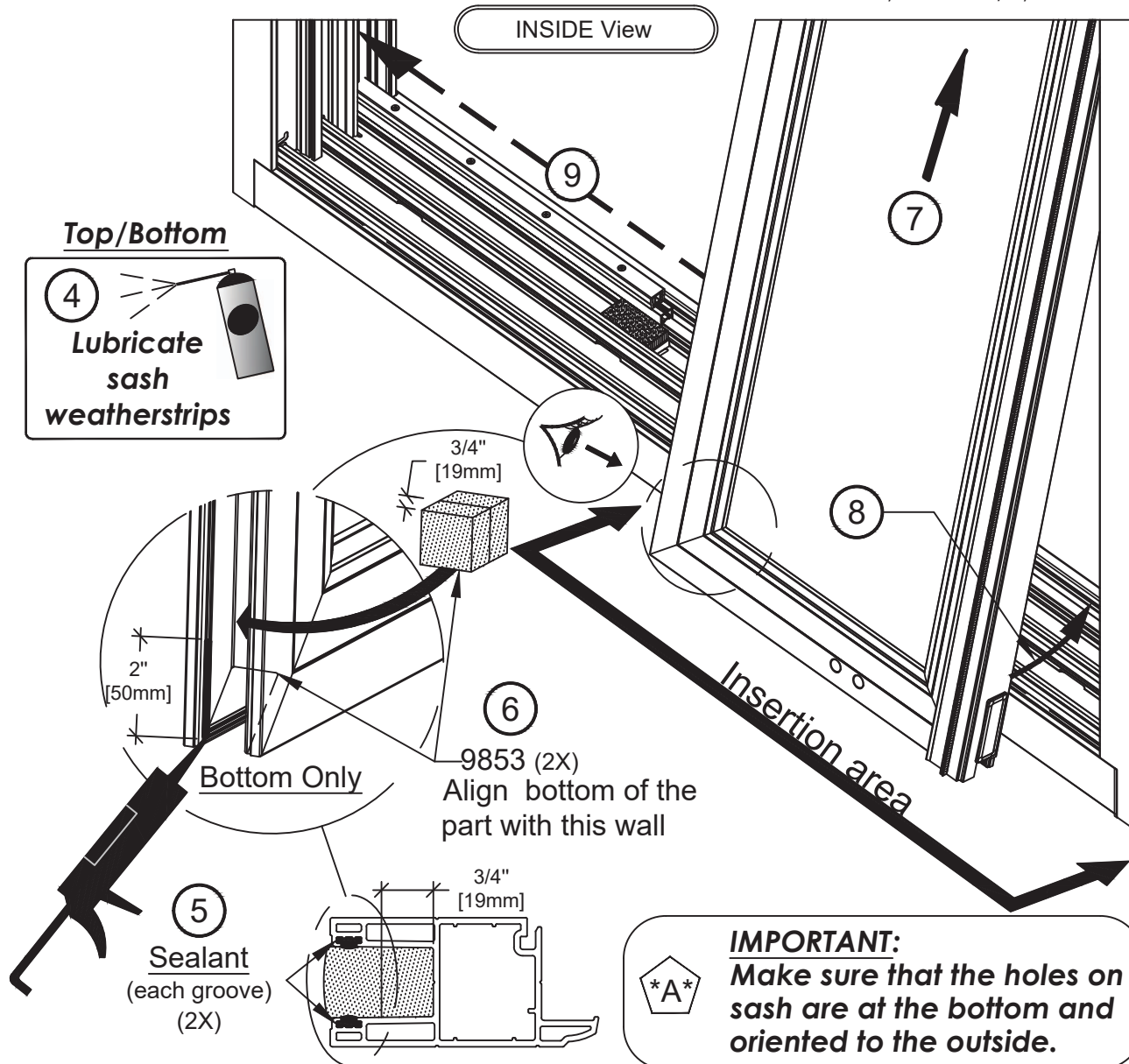
OUTSIDE



DCN - 37184D	CREATOR - MONG	SHEET NO. - 28 OF 72	REPLACES -
REV - 0	PCR - V1042	DATE - 10/17/23	REV. BY - MONG / BLUME
COMMENTS - INITIAL DRAWING CREATION ADDED INSTALLATION INSTRUCTION PART # MAY 2026		XXO MULTI TRACK PATIO DOOR - INSTALLATION OF THE FIXED SASH - ASSEMBLY PA # 1300005608	
		PRODUCT - FORGENT COMPLEMENTARY MULTI-SLIDE DOOR VINYL STYLE	

NOTES:

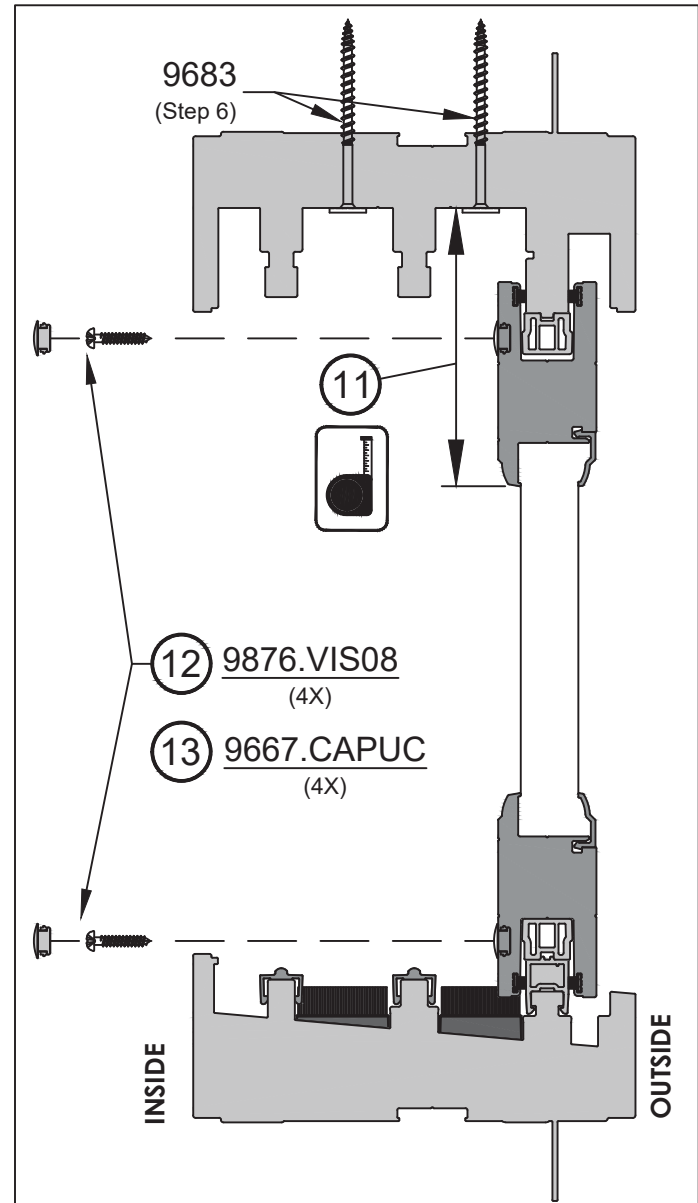
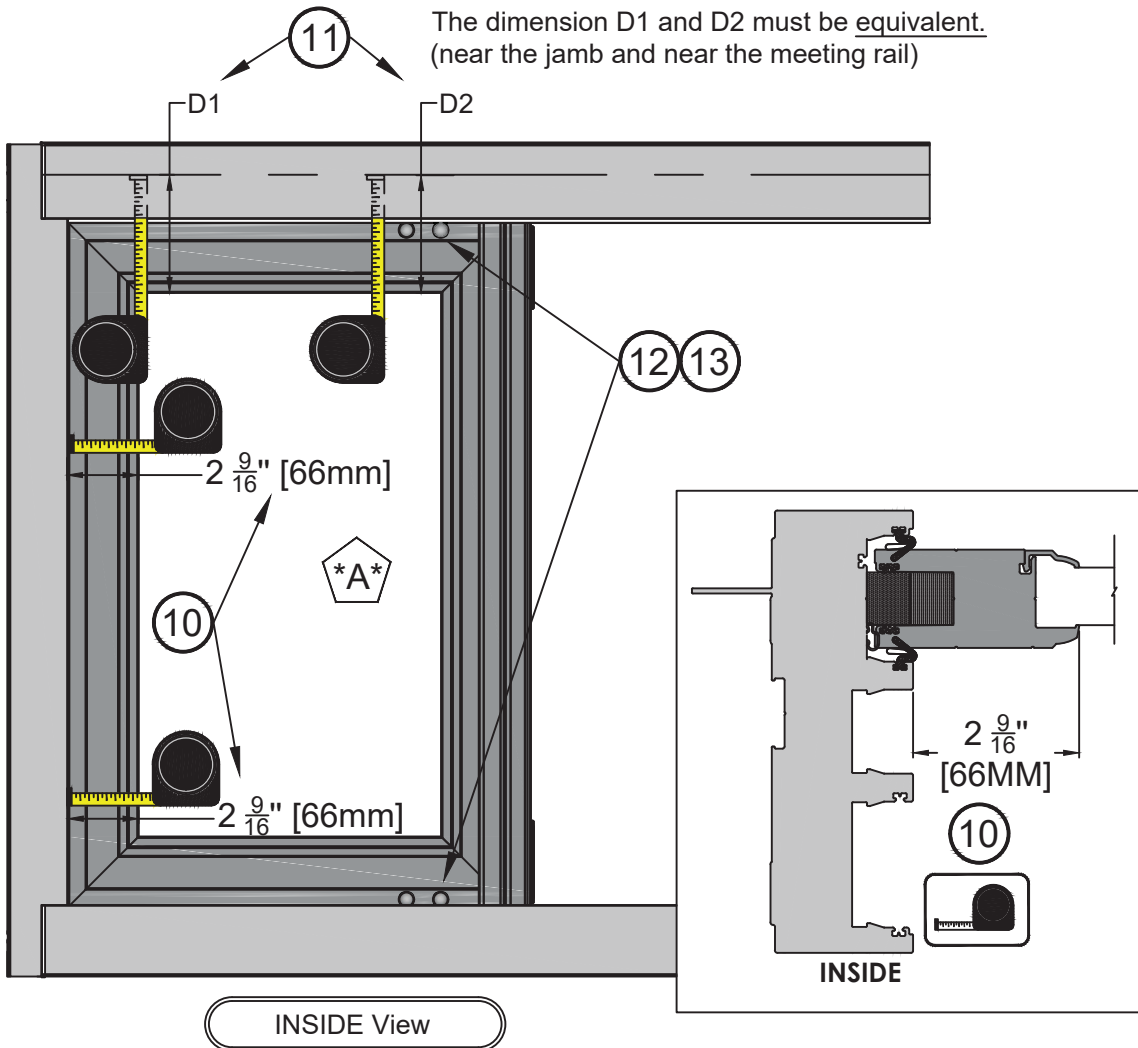
1. UNLESS OTHERWISE SPECIFIED ALL DIMENSIONS ARE GIVEN IN INCHES. TOLERANCES ARE: DECIMALS ± .005, ANGLES ± 1/2°, FRACTIONS ± 1/64".



DCN - 4A09F7	CREATOR - MONG	SHEET NO. - 29 OF 72	REPLACES -
REV - 0	PCR - V1042	DATE - 10/17/23	REV. BY - MONG / BLUME
COMMENTS - INITIAL DRAWING CREATION ADDED INSTALLATION INSTRUCTION PART # MAY 2026		XXO MULTI TRACK PATIO DOOR - INSTALLATION OF THE FIXED SASH - ASSEMBLY PART # 1300005608	
		PRODUCT - FORGENT COMPLEMENTARY MULTI-SLIDE DOOR VINYL STYLE	

NOTES:
 1. UNLESS OTHERWISE SPECIFIED ALL DIMENSIONS ARE GIVEN IN INCHES. TOLERANCES ARE: DECIMALS ± .005, ANGLES ± 1/2°, FRACTIONS ± 1/64".

IMPORTANT:
 Check the squaring of the sash before fastening. (If necessary, straighten the head with the adjustment screws 9683 - see step 6).

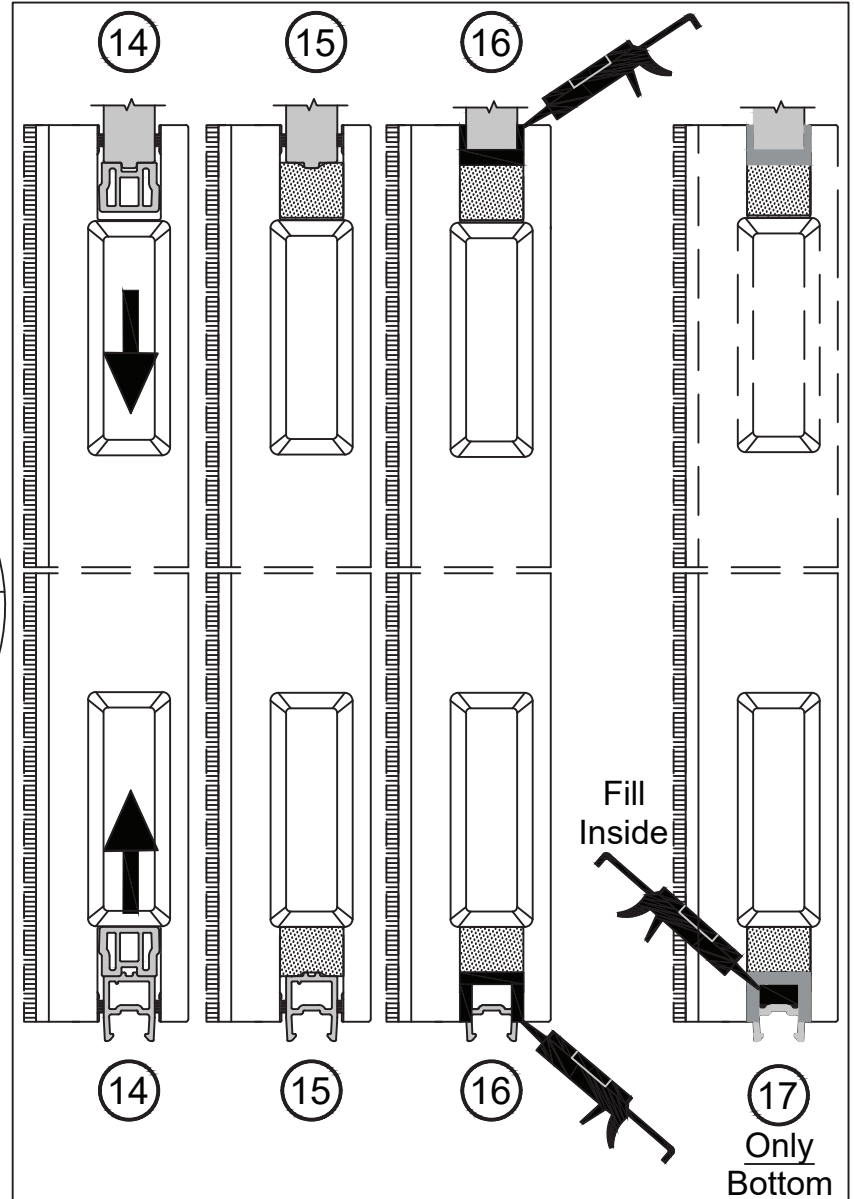
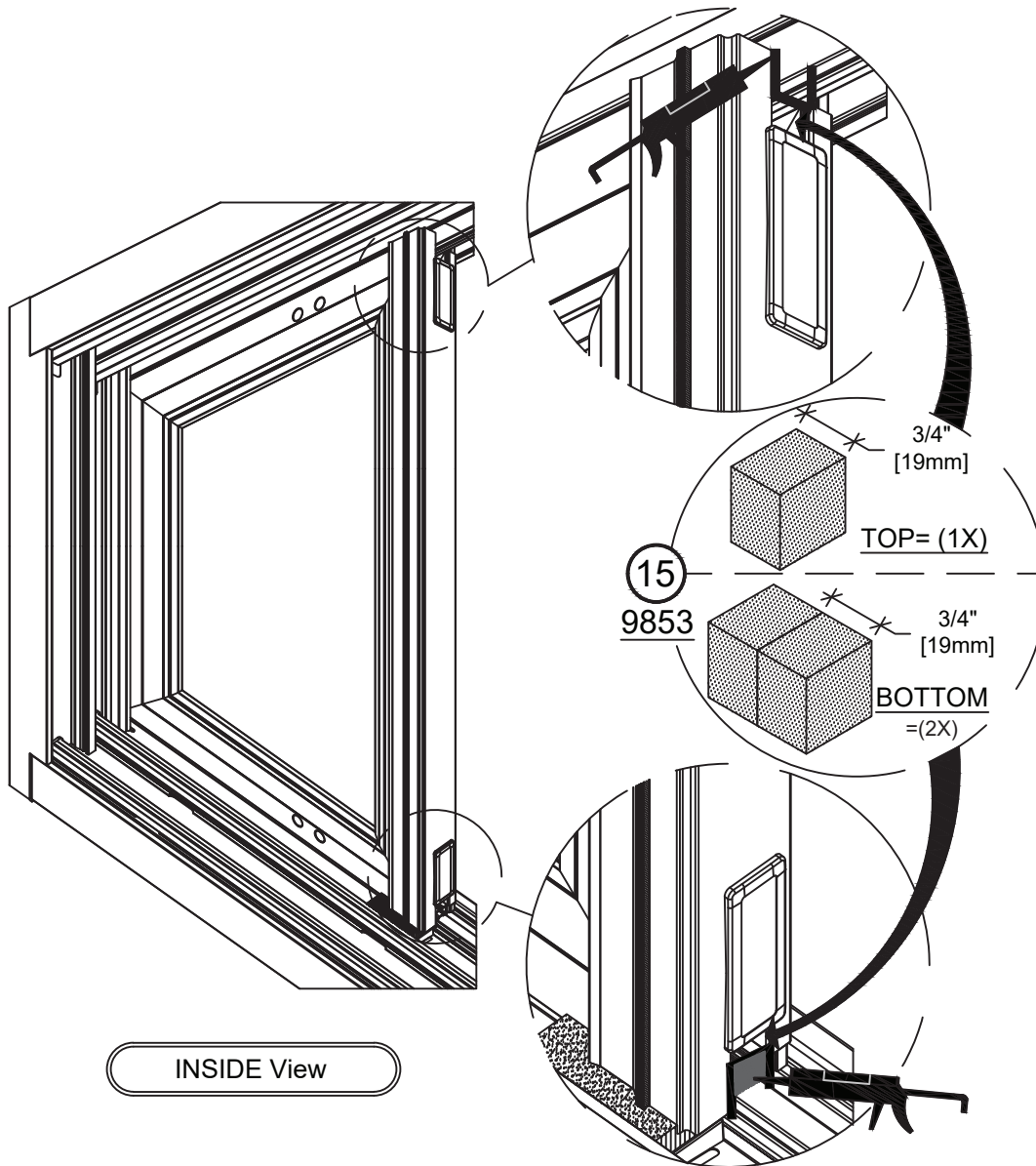


DCN - 0EFB4E	CREATOR - MONG	SHEET NO. - 30 OF 72	REPLACES -
REV - 0	PCR - V1042	DATE - 10/17/23	REV. BY - MONG / BLUME
COMMENTS - INITIAL DRAWING CREATION ADDED INSTALLATION INSTRUCTION PART # MAY 2026		XXO MULTI TRACK PATIO DOOR - INSTALLATION OF THE FIXED SASH - ASSEMBLY PART # 1300005608	
		PRODUCT - FORGENT COMPLEMENTARY MULTI-SLIDE DOOR VINYL STYLE	

THIS DRAWING IS THE PROPERTY OF KOLBE & KOLBE MILLWORK CO., INC. THE INFORMATION THEREON IS TO BE TREATED AS CONFIDENTIAL. ALL TRADE SECRETS ARE ENTITLED TO ALL THE PROTECTIONS AND BENEFITS UNDER APPLICABLE LAW. THIS DRAWING IS NOT TO BE USED, COPIED, OR DISCLOSED TO OUTSIDE PARTIES WITHOUT OUR WRITTEN CONSENT.

NOTES:

1. UNLESS OTHERWISE SPECIFIED ALL DIMENSIONS ARE GIVEN IN INCHES. TOLERANCES ARE: DECIMALS ± .005, ANGLES ± 1/2°, FRACTIONS ± 1/64".



DCN - 40D4EE	CREATOR - MONG	SHEET NO. - 31 OF 72	REPLACES -
REV - 0	PCR - V1042	DATE - 10/17/23	REV. BY - MONG / BLUME
COMMENTS - INITIAL DRAWING CREATION ADDED INSTALLATION INSTRUCTION PART # MAY 2026		XXO MULTI TRACK PATIO DOOR - INSTALLATION OF THE FIXED SASH -ASSEMBLY PART # 130005608	
		PRODUCT - FORGENT COMPLEMENTARY MULTI-SLIDE DOOR VINYL STYLE	

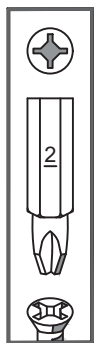
NOTES:

1. UNLESS OTHERWISE SPECIFIED ALL DIMENSIONS ARE GIVEN IN INCHES. TOLERANCES ARE: DECIMALS ± .005, ANGLES ± 1/2°, FRACTIONS ± 1/64".

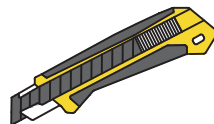
Tools and components required for this step



Impact
(1X)



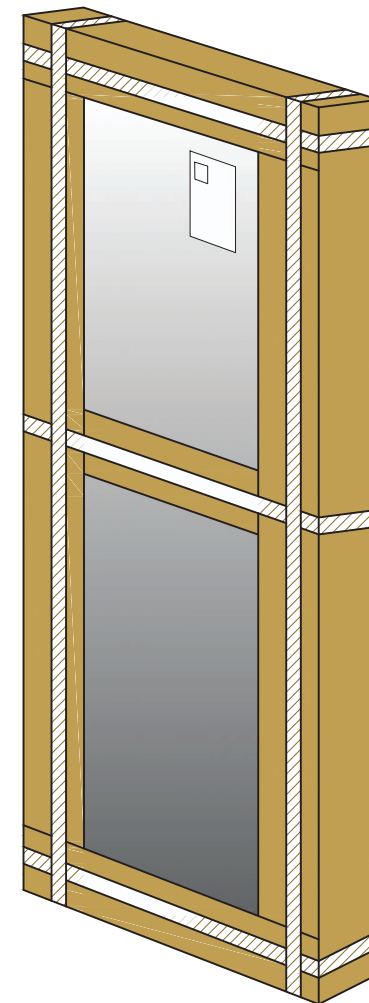
Screwdriver Bit
(1X)



Knife
(1X)



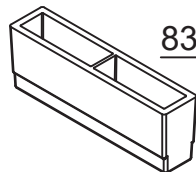
Invisible Lubricant Silicone
(1X)



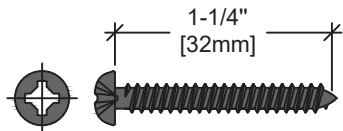
CENTRAL Sash Box
(1X)



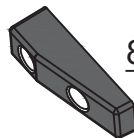
08375.**.SACn1.3V : FRAME & SASH Hardware bag



8397.ANCVS
(1X)

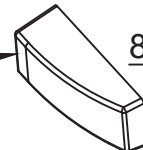


8941.VIS08
(2X)
BLACK



8389.ARREV
(1X)

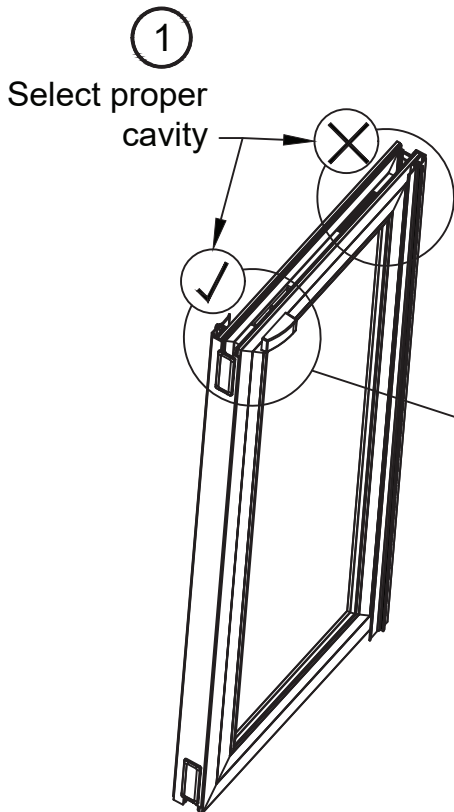
If painted door (IN=Inside), rather use parts from the red bag in Sill box.
Except : See color list P3-P4



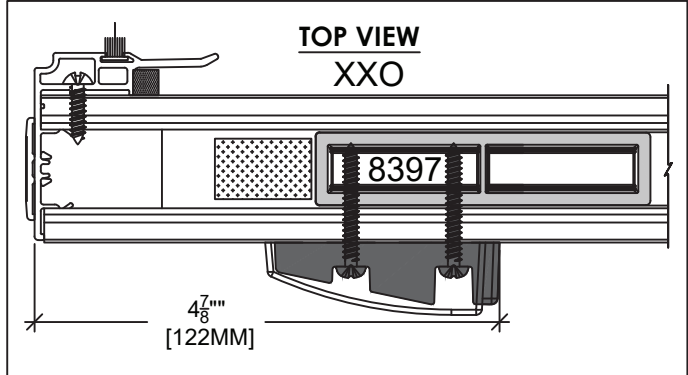
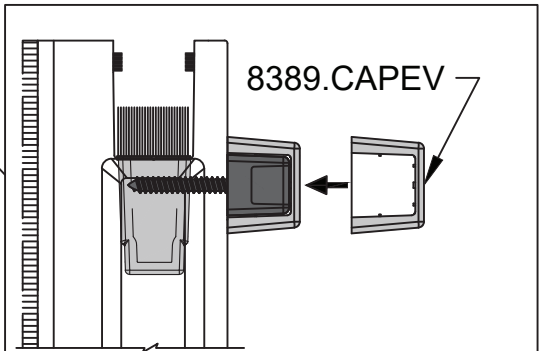
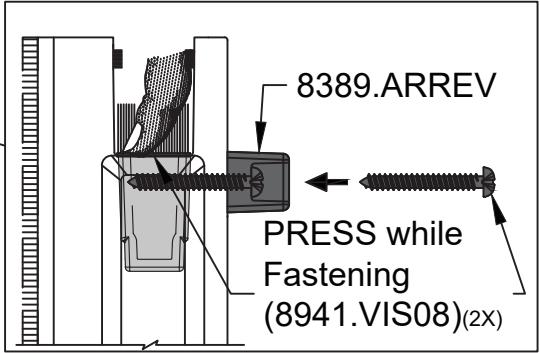
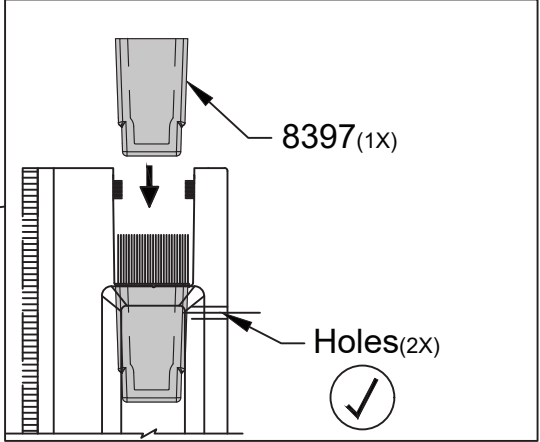
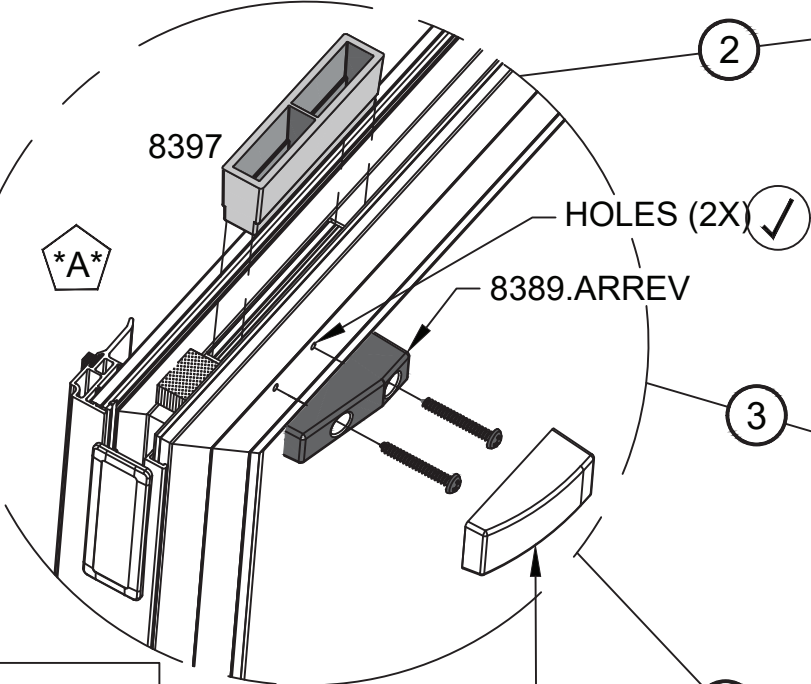
8389.CAPEV
(1X)

DCN - 319CDB	CREATOR - MONG	SHEET NO. - 32 OF 72	REPLACES -
REV - 0	PCR - V1042	DATE - 10/17/23	REV. BY - MONG / BLUME
COMMENTS - INITIAL DRAWING CREATION ADDED INSTALLATION INSTRUCTION PART # MAY 2026		XXO MULTI TRACK PATIO DOOR - INSTALLATION OF CENTRAL SASH - ASSEMBLY PART # 1300005608	
		PRODUCT - FORGENT COMPLEMENTARY MULTI-SLIDE DOOR VINYL STYLE	

NOTES:
 1. UNLESS OTHERWISE SPECIFIED ALL DIMENSIONS ARE GIVEN IN INCHES. TOLERANCES ARE: DECIMALS ± .005, ANGLES ± 1/2°, FRACTIONS ± 1/64".



A **ATTENTION:**
MUST BE DONE BEFORE
INSERTING SASH IN FRAME.

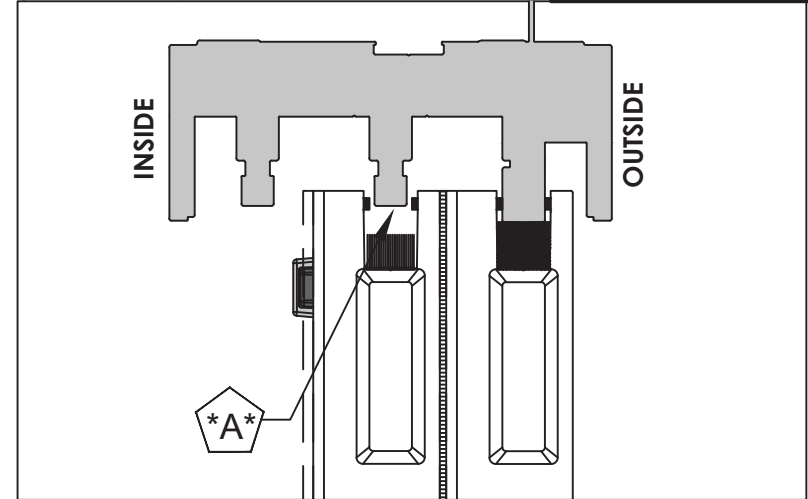
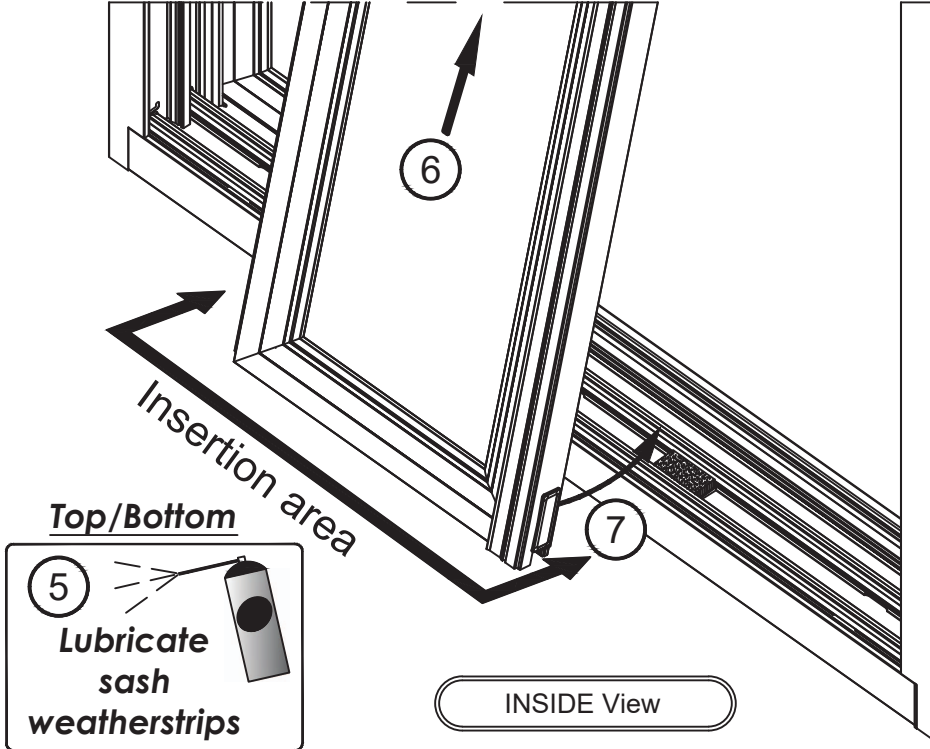


8389.CAPEV
 INSIDE View

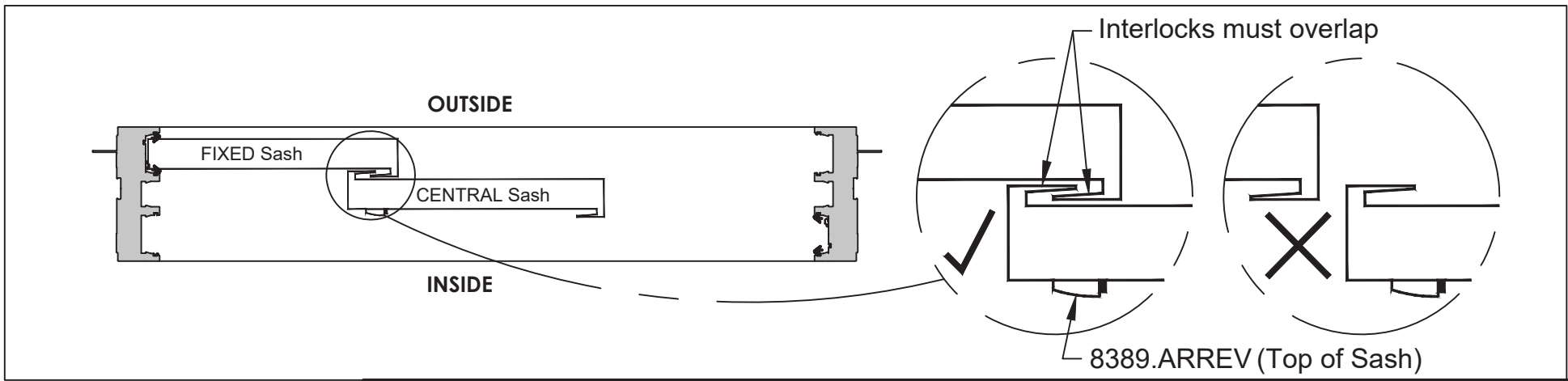
DCN - 2A9DD7	CREATOR - MONG	SHEET NO. - 33 OF 72	REPLACES -
REV - 0	PCR - V1042	DATE - 10/17/23	REV. BY - MONG / BLUME
COMMENTS - INITIAL DRAWING CREATION ADDED INSTALLATION INSTRUCTION PART # MAY 2026		XXO MULTI TRACK PATIO DOOR - INSTALLATION OF CENTRAL SASH - ASSEMBLY PART # 1300005608	
		PRODUCT - FORGENT COMPLEMENTARY MULTI-SLIDE DOOR VINYL STYLE	

NOTES:

1. UNLESS OTHERWISE SPECIFIED ALL DIMENSIONS ARE GIVEN IN INCHES. TOLERANCES ARE: DECIMALS ± .005, ANGLES ± 1/2°, FRACTIONS ± 1/64".



IMPORTANT: Sash header engagement is minimal at this stage. (The sash is free standing and could disengage from the header until head track is installed (see Step 10).)

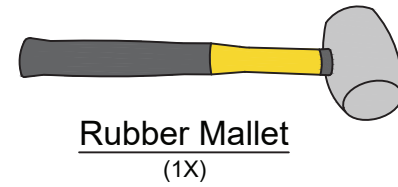
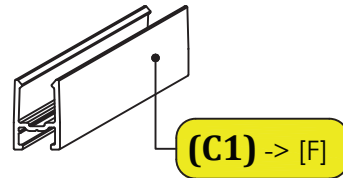
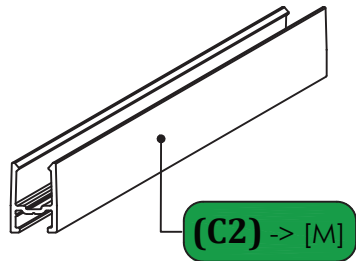


DCN - 734DD7	CREATOR - MONG	SHEET NO. - 34 OF 72	REPLACES -
REV - 0	PCR - V1042	DATE - 10/17/23	REV. BY - MONG / BLUME
COMMENTS - INITIAL DRAWING CREATION ADDED INSTALLATION INSTRUCTION PART # MAY 2026		XXO MULTI TRACK PATIO DOOR - (CONTINUED) INSTALLATION OF CENTRAL SASH - ASSEMBLY PART # 1300005608	
		PRODUCT - FORGENT COMPLEMENTARY MULTI-SLIDE DOOR VINYL STYLE	

NOTES:

1. UNLESS OTHERWISE SPECIFIED ALL DIMENSIONS ARE GIVEN IN INCHES. TOLERANCES ARE: DECIMALS ± .005, ANGLES ± 1/2°, FRACTIONS ± 1/64".

Tools and components required for this step




DCN - 8B3BA6	CREATOR - MONG	SHEET NO. - 37 OF 72	REPLACES -
REV - 0	PCR - V1042	DATE - 10/17/23	REV. BY - MONG / BLUME
COMMENTS - INITIAL DRAWING CREATION ADDED INSTALLATION INSTRUCTION PART # MAY 2026		XXO MULTI TRACK PATIO DOOR - INSTALLATION OF HEAD TRACKS #832 (CENTER TOWER) - ASSEMBLY PART # 1300005608	
		PRODUCT - FORGENT COMPLEMENTARY MULTI-SLIDE DOOR VINYL STYLE	

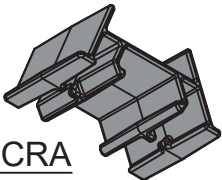
NOTES:

1. UNLESS OTHERWISE SPECIFIED ALL DIMENSIONS ARE GIVEN IN INCHES. TOLERANCES ARE: DECIMALS ± .005, ANGLES ± 1/2°, FRACTIONS ± 1/64".

Tools and components required for this step

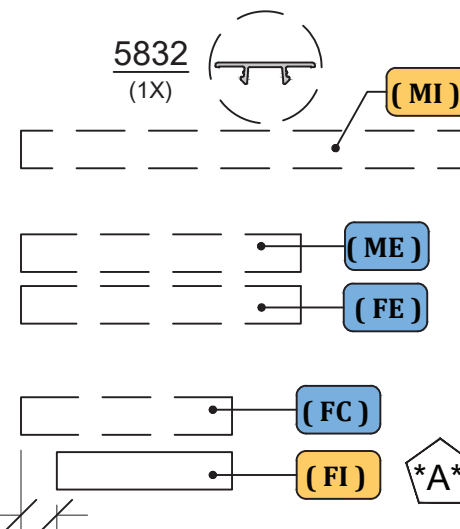



08399.14.SACAN.3V : Head Cover Anchor bag



8399.ANCRA
(3X)**

****Keep others parts for further installation ****



 Install only part **(FI)** with its anchors 8399 (3x) at this step and before 8321, otherwise it won't fit.

All others parts will be installed later (see Step 16).

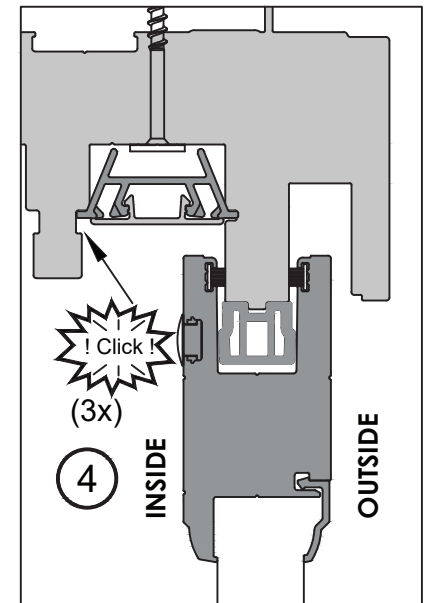
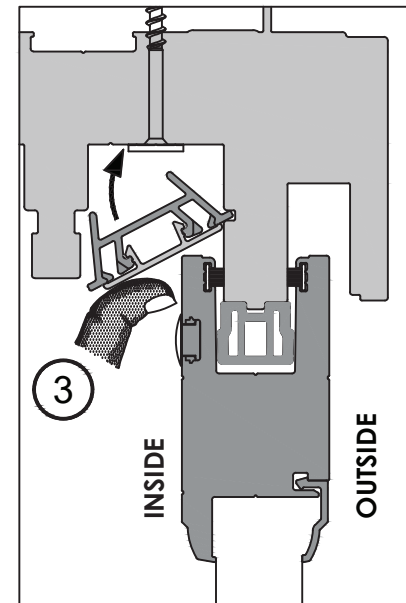
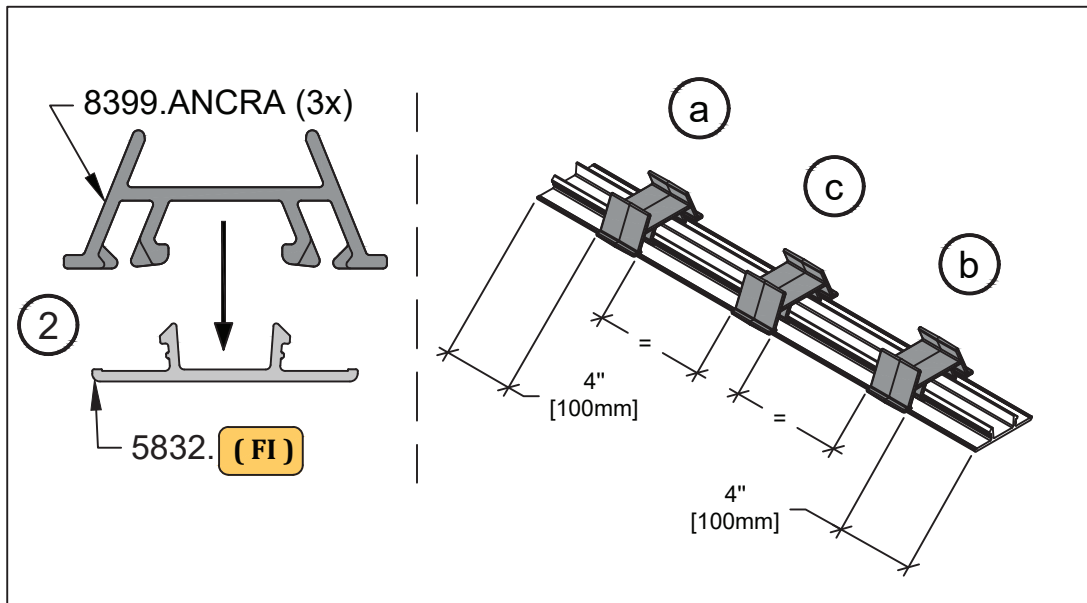
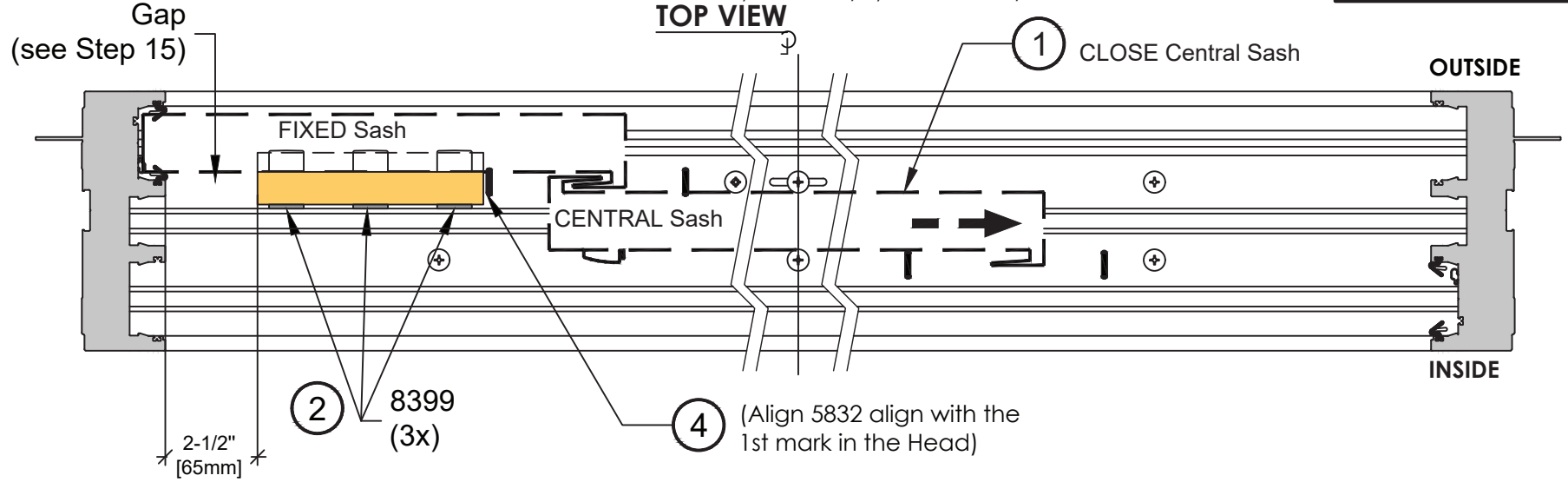
DCN - 89E16B	CREATOR - MONG	SHEET NO. - 35 OF 72	REPLACES -
REV - 0	PCR - V1042	DATE - 10/17/23	REV. BY - MONG / BLUME
COMMENTS - INITIAL DRAWING CREATION ADDED INSTALLATION INSTRUCTION PART # MAY 2026		XXO MULTI TRACK PATIO DOOR - INSTALLATION OF HEAD COVER #5832. [FI] - ASSEMBLY PART # 1300005608	
		PRODUCT - FORGENT COMPLEMENTARY MULTI-SLIDE DOOR VINYL STYLE	

THIS DRAWING IS THE PROPERTY OF KOLBE & KOLBE MILLWORK CO., INC. THE INFORMATION THEREON IS TO BE TREATED AS CONFIDENTIAL. ALL TRADE SECRETS ARE ENTITLED TO ALL THE PROTECTIONS AND BENEFITS UNDER APPLICABLE LAW. THIS DRAWING IS NOT TO BE USED, COPIED, OR DISCLOSED TO OUTSIDE PARTIES WITHOUT OUR WRITTEN CONSENT.



NOTES:

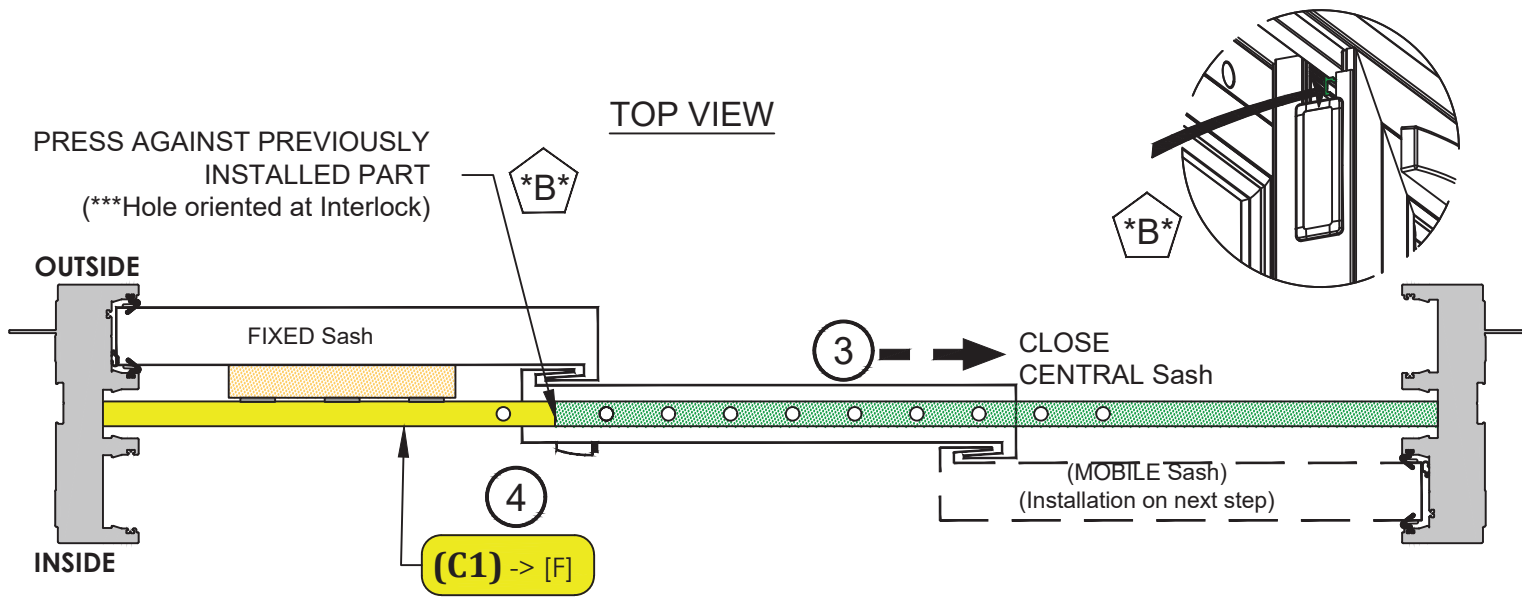
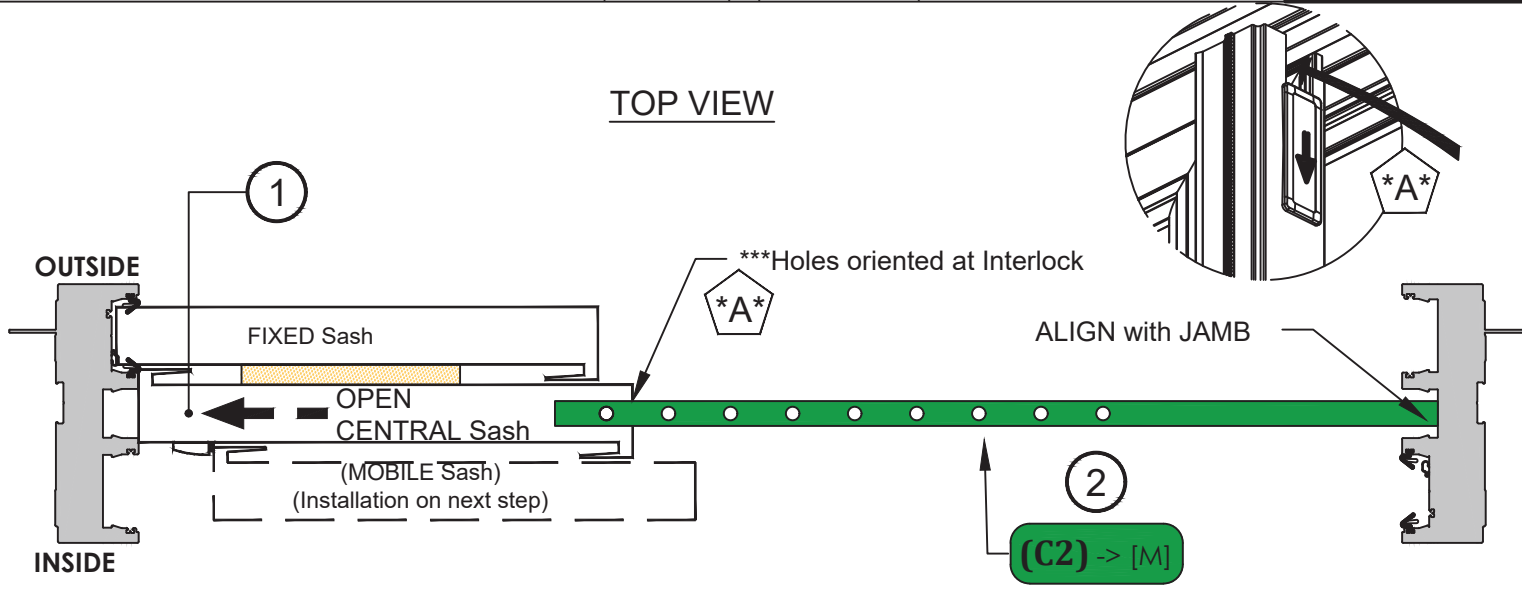
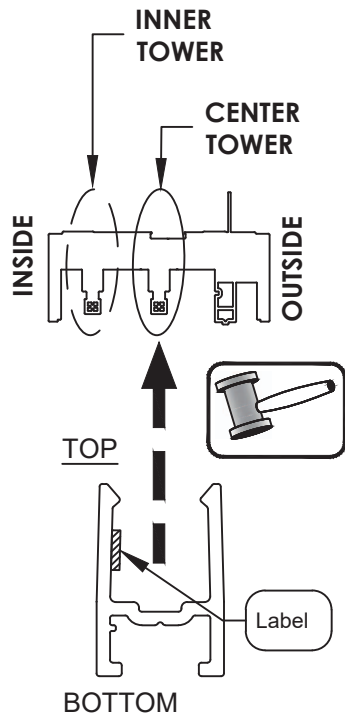
1. UNLESS OTHERWISE SPECIFIED ALL DIMENSIONS ARE GIVEN IN INCHES. TOLERANCES ARE: DECIMALS ± .005, ANGLES ± 1/2°, FRACTIONS ± 1/64".



DCN - 437CBE	CREATOR - MONG	SHEET NO. - 36 OF 72	REPLACES -
REV - 0	PCR - V1042	DATE - 10/17/23	REV. BY - MONG / BLUME
COMMENTS - INITIAL DRAWING CREATION ADDED INSTALLATION INSTRUCTION PART # MAY 2026		XXO MULTI TRACK PATIO DOOR - INSTALLATION OF HEAD COVERS #5832. [FI] - ASSEMBLY PART #1300005608	
		PRODUCT - FORGENT COMPLEMENTARY MULTI-SLIDE DOOR VINYL STYLE	

NOTES:

1. UNLESS OTHERWISE SPECIFIED ALL DIMENSIONS ARE GIVEN IN INCHES. TOLERANCES ARE: DECIMALS ± .005, ANGLES ± 1/2°, FRACTIONS ± 1/64".



Legend:

INNER TOWER:
(I1) -> [M]
 = Part 1 (close to Mobile Sash)

(I2) -> [F]
 = Part 2 (close to Fixed Sash)


CENTER TOWER:
(C1) -> [F]
 = Part 1 (close to Fixed Sash)

(C2) -> [M]
 = Part 2 (close to Mobile Sash))

DCN - 6687D4	CREATOR - MONG	SHEET NO. - 38 OF 72	REPLACES -
REV - 0	PCR - V1042	DATE - 10/17/23	REV. BY - MONG / BLUME
COMMENTS - INITIAL DRAWING CREATION		XXO MULTI TRACK PATIO DOOR - INSTALLATION OF HEAD TRACKS #8321 (CENTRAL TOWER) - ASSEMBLY PART # 1300005608	
ADDED INSTALLATION INSTRUCTION PART # MAY 2026		PRODUCT- FORGENT COMPLEMENTARY MULTI-SLIDE DOOR VINYL STYLE	

NOTES:

1. UNLESS OTHERWISE SPECIFIED ALL DIMENSIONS ARE GIVEN IN INCHES. TOLERANCES ARE: DECIMALS ± .005, ANGLES ± 1/2°, FRACTIONS ± 1/64".

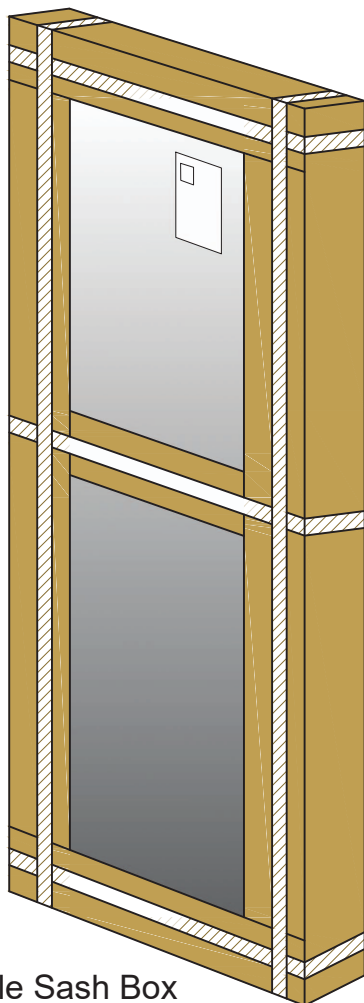
 Complete installation with the Mobile Sash before fastening the Head track #8321. (See Step 12)

DCN -	1EA045	CREATOR -	MONG	SHEET NO. -	39 OF 72	REPLACES -	
REV -	0	PCR -	V1042	DATE -	10/17/23	REV. BY -	MONG / BLUME
COMMENTS - INITIAL DRAWING CREATION ADDED INSTALLATION INSTRUCTION PART # MAY 2026				XXO MULTI TRACK PATIO DOOR - (CONTINUED) INSTALLATION HEAD TRACKS #8321 (CENTER TOWER) - ASSEMBLY PART # 1300005608			
				PRODUCT - FORGENT COMPLEMENTARY MULTI-SLIDE DOOR VINYL STYLE			

NOTES:

1. UNLESS OTHERWISE SPECIFIED ALL DIMENSIONS ARE GIVEN IN INCHES. TOLERANCES ARE: DECIMALS ± .005, ANGLES ± 1/2°, FRACTIONS ± 1/64".

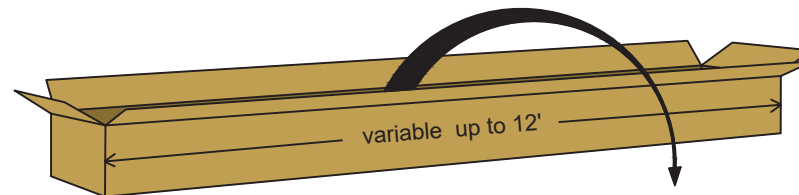
Tools and components required for this step



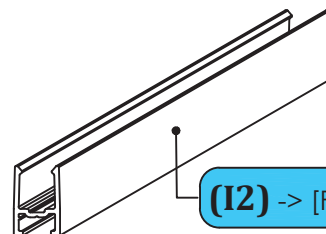
Mobile Sash Box
(1X)



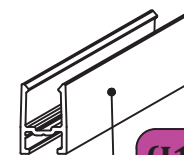
Invisible Lubricant Silicone
(1X)



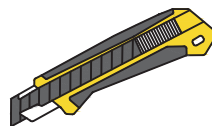
8321
(2X)



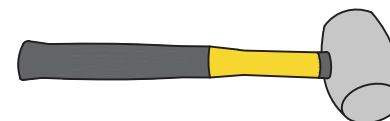
(I2) -> [F]



(I1) -> [M]



Knife
(1X)

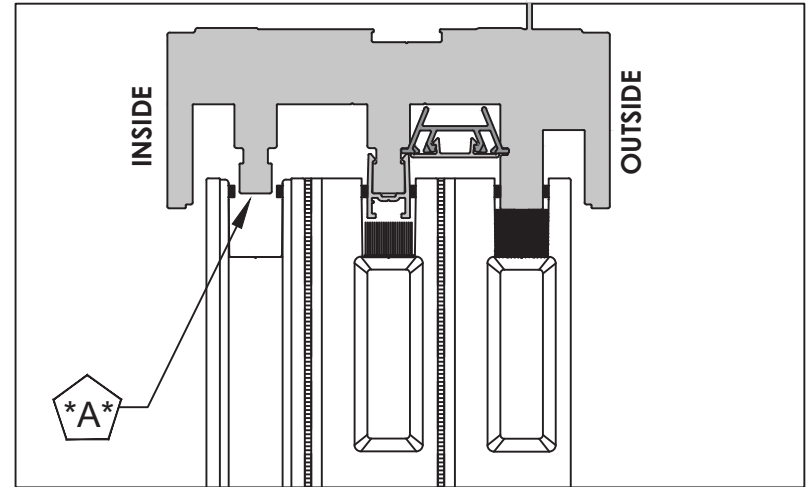
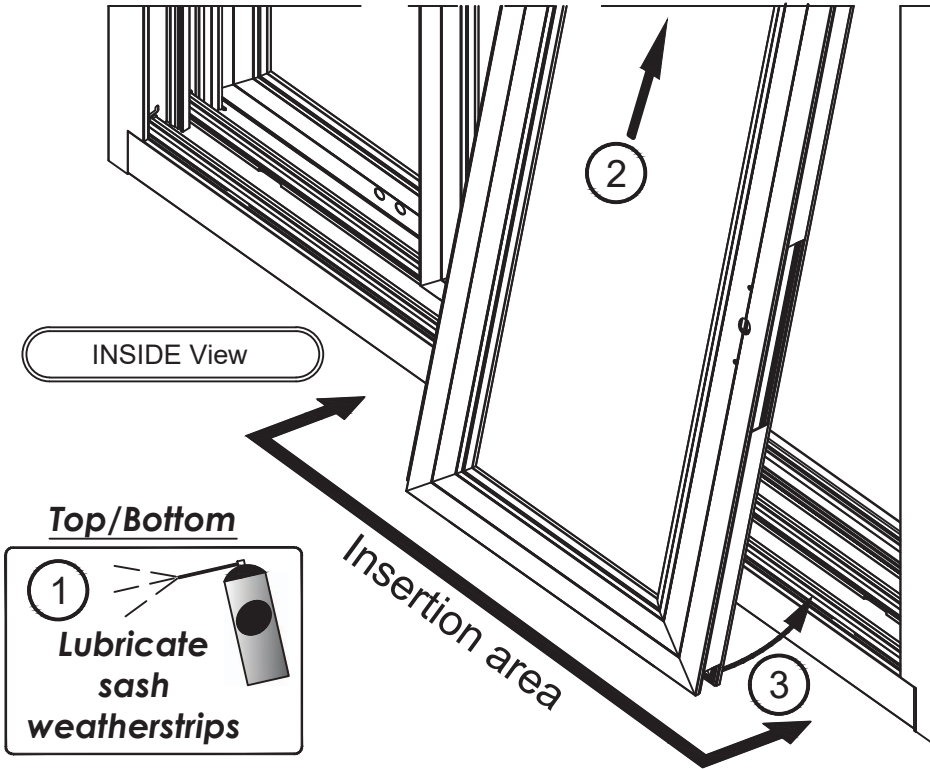


Rubber Mallet
(1X)

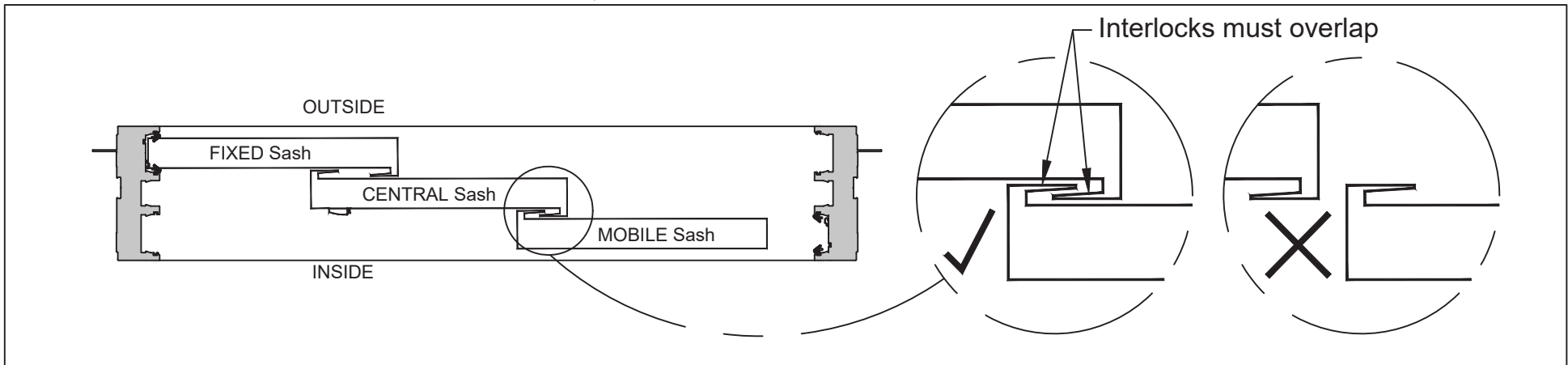
DCN -	OB8AF0	CREATOR -	MONG	SHEET NO. -	40 OF 72	REPLACES -		
REV -	0	PCR -	V1042	DATE -	10/17/23	REV. BY -	MONG / BLUME	XXO MULTI TRACK PATIO DOOR - INSTALLATION OF MOBILE SASH & HEAD TRACKS #8321 - ASSEMBLY PART # 1300005608
COMMENTS - INITIAL DRAWING CREATION ADDED INSTALLATION INSTRUCTION PART # MAY 2026								
PRODUCT - FORGENT COMPLEMENTARY MULTI-SLIDE DOOR VINYL STYLE								

NOTES:

1. UNLESS OTHERWISE SPECIFIED ALL DIMENSIONS ARE GIVEN IN INCHES. TOLERANCES ARE: DECIMALS ± .005, ANGLES ± 1/2°, FRACTIONS ± 1/64".



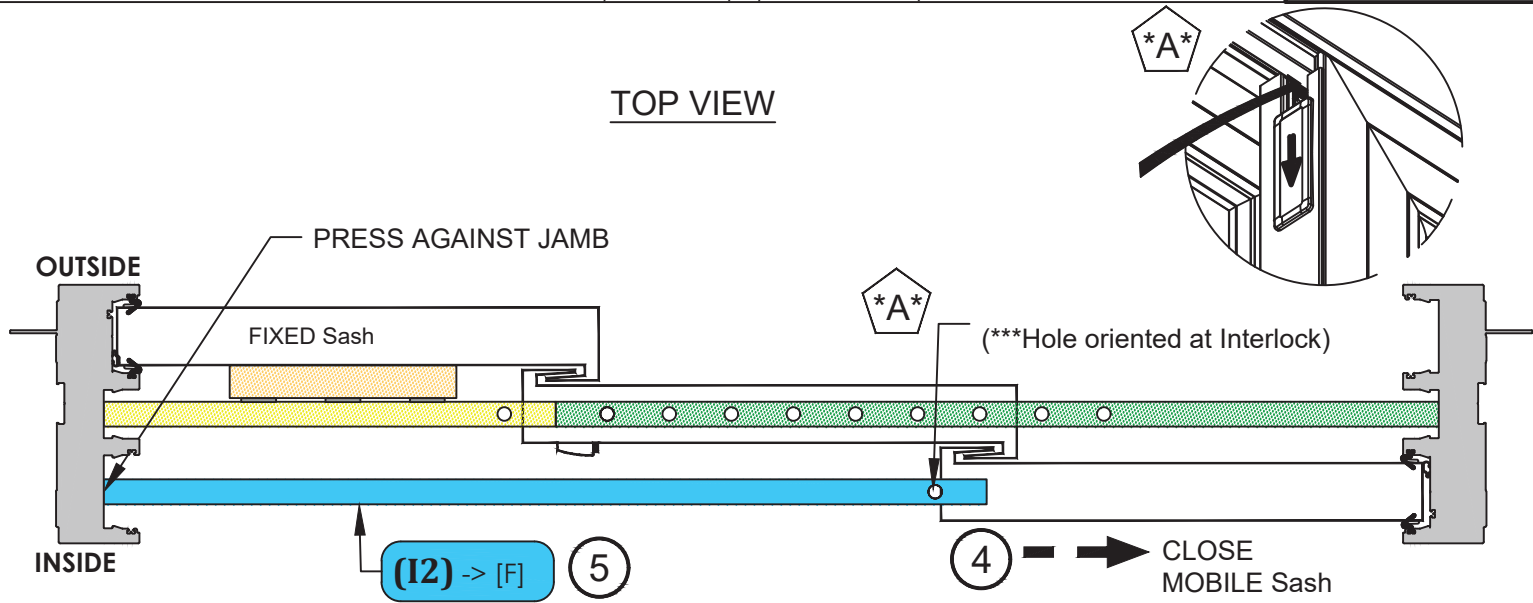
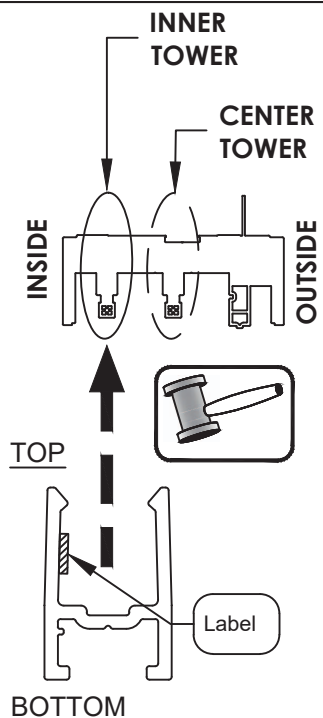
IMPORTANT: Sash header engagement is minimal at this stage. (The sash is free standing and could disengage from the header until head track is installed (see next page).)



DCN - 0AD8D2	CREATOR - MONG	SHEET NO. - 41 OF 72	REPLACES -
REV - 0	PCR - V1042	DATE - 10/17/23	REV. BY - MONG / BLUME
COMMENTS - INITIAL DRAWING CREATION ADDED INSTALLATION INSTRUCTION PART # MAY 2026		XXO MULTI TRACK PATIO DOOR - INSTALLATION OF MOBILE SASH & HEAD TRACKS #8321 - ASSEMBLY PART # 1300005608	
		PRODUCT- FORGENT COMPLEMENTARY MULTI-SLIDE DOOR VINYL STYLE	

NOTES:

1. UNLESS OTHERWISE SPECIFIED ALL DIMENSIONS ARE GIVEN IN INCHES. TOLERANCES ARE: DECIMALS ± .005, ANGLES ± 1/2°, FRACTIONS ± 1/64".



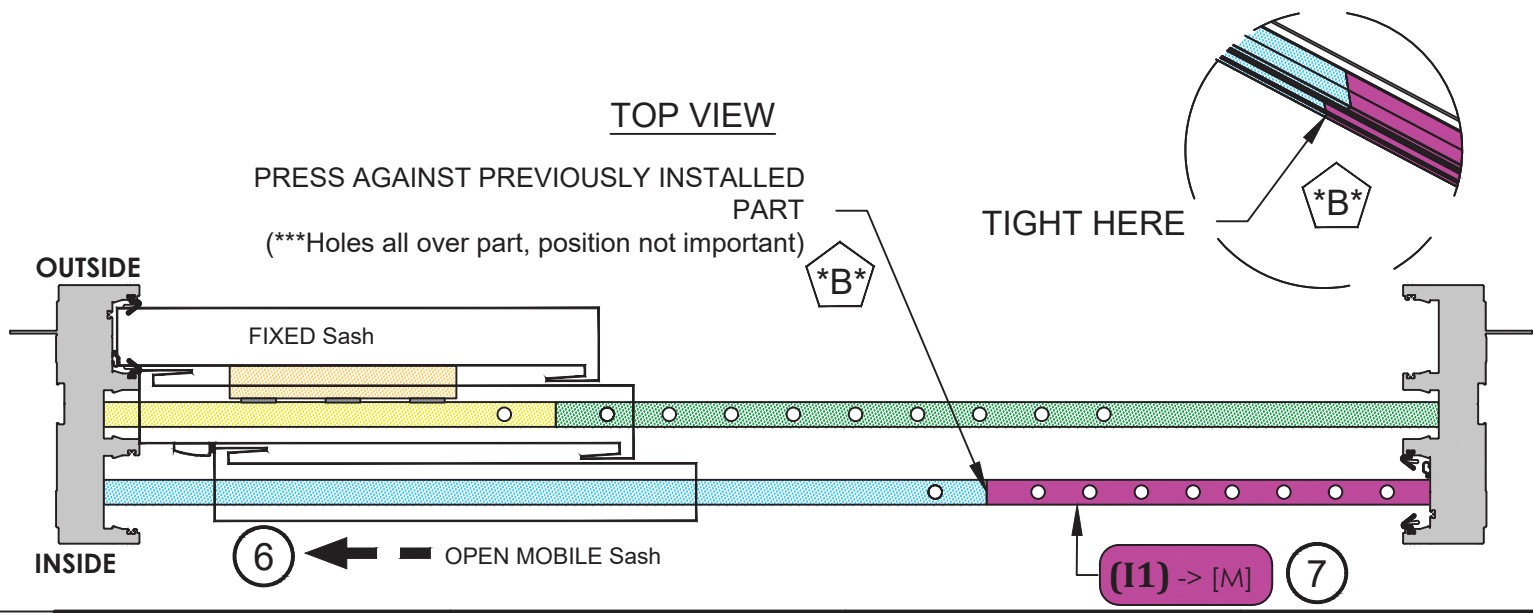
Legend:

INNER TOWER:
(I1) -> [M]
 = Part 1 (close to Mobile Sash)

(I2) -> [F]
 = Part 2 (close to Fixed Sash)

CENTER TOWER:
(C1) -> [F]
 = Part 1 (close to Fixed Sash)

(C2) -> [M]
 = Part 2 (close to Mobile Sash))



DCN - 040DFC	CREATOR - MONG	SHEET NO. - 42 OF 72	REPLACES -
REV - 0	PCR - V1042	DATE - 10/17/23	REV. BY - MONG / BLUME
COMMENTS - INITIAL DRAWING CREATION ADDED INSTALLATION INSTRUCTION PART # MAY 2026		XXO MULTI TRACK PATIO DOOR - INSTALLATION OF MOBILE SASH & HEAD TRACKS #8321 - ASSEMBLY PART # 1300005608	
		PRODUCT- FORGENT COMPLEMENTARY MULTI-SLIDE DOOR VINYL STYLE	

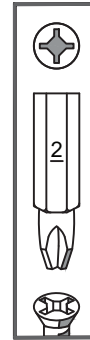
NOTES:

1. UNLESS OTHERWISE SPECIFIED ALL DIMENSIONS ARE GIVEN IN INCHES. TOLERANCES ARE: DECIMALS ± .005, ANGLES ± 1/2°, FRACTIONS ± 1/64".


Tools and hardware required for this step

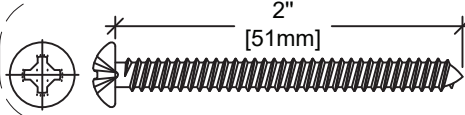



Impact
(1X)



Screwdriver Bit
(1X)

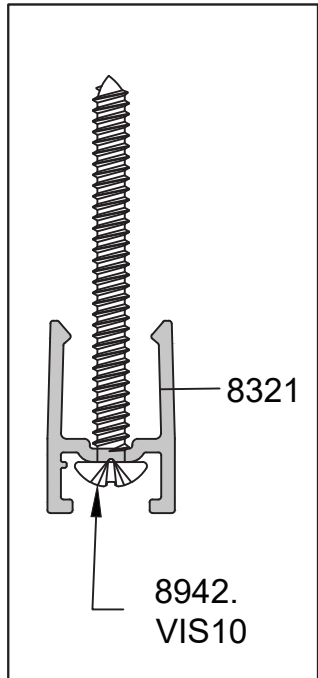
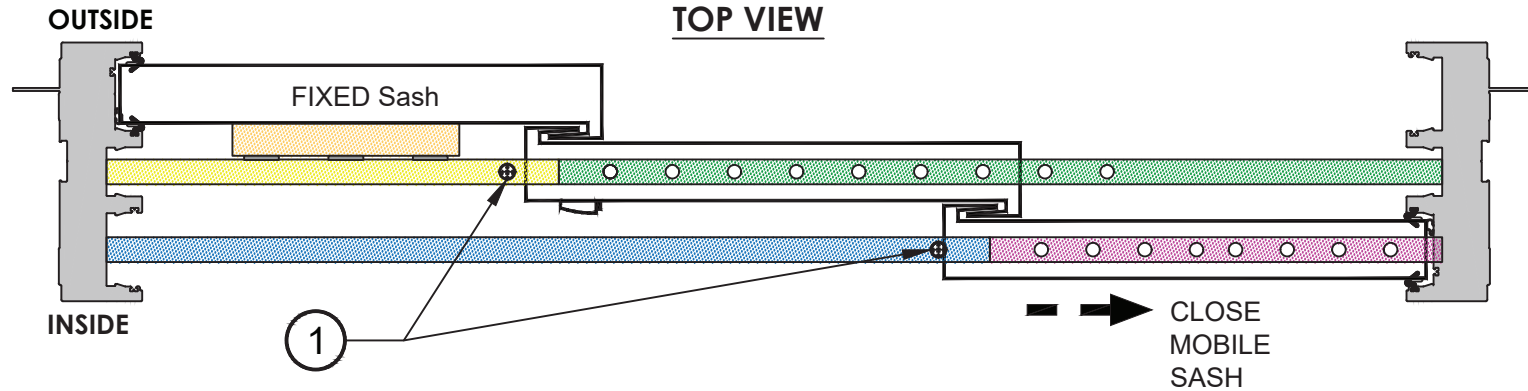
 **08380.00.SACn2.3V : HEAD Hardware bag**

 **8942.VIS10** 
(19X)

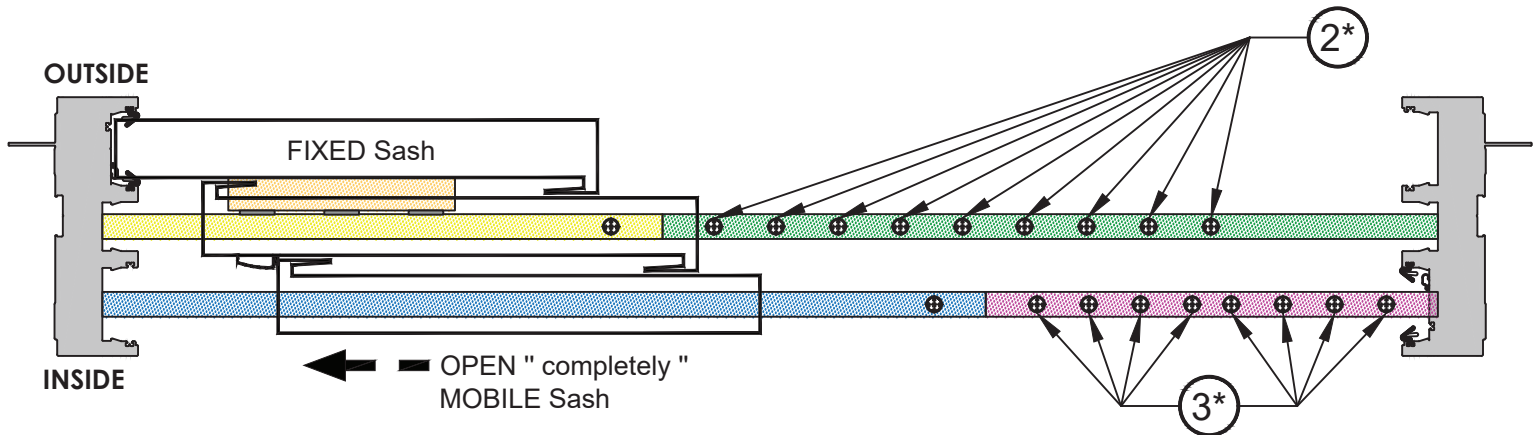
DCN - 8070A6	CREATOR - MONG	SHEET NO. - 43 OF 72	REPLACES -
REV - 0	PCR - V1029	DATE - 06/06/22	REV. BY - MONG / BLUME
COMMENTS - INITIAL DRAWING CREATION ADDED INSTALLATION INSTRUCTION PART # MAY 2026			XXO MULTI TRACK PATIO DOOR - FASTENING HEAD TRACKS #8321 TO THE FRAME - ASSEMBLY PART # 1300005608
			PRODUCT- FORGENT COMPLEMENTARY MULTI-SLIDE DOOR VINYL STYLE

NOTES:

1. UNLESS OTHERWISE SPECIFIED ALL DIMENSIONS ARE GIVEN IN INCHES. TOLERANCES ARE: DECIMALS ± .005, ANGLES ± 1/2°, FRACTIONS ± 1/64".



ATTENTION : (CLOSED SASH & OPENED SASH)
 On each head tracks 8321, make sure that there is a screw in every visible holes.
 * Quantity of holes variable according to door width.

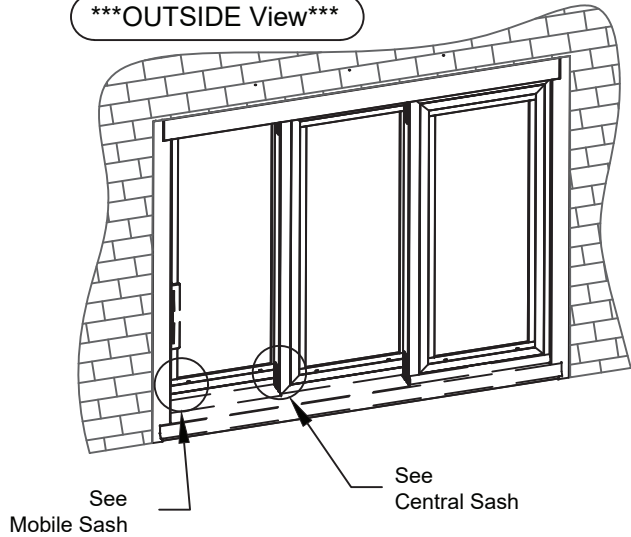


DCN - 0AF47E	CREATOR - MONG	SHEET NO. - 44 OF 72	REPLACES -
REV - 0	PCR - V1042	DATE - 10/09/23	REV. BY - MONG / BLUME
COMMENTS - INITIAL DRAWING CREATION ADDED INSTALLATION INSTRUCTION PART # MAY 2026		XXO MULTI TRACK PATIO DOOR - FASTENING HEAD TRACKS #8321 TO THE FRAME - ASSEMBLY PART # 1300005608	
		PRODUCT - FORGENT COMPLEMENTARY MULTI-SLIDE DOOR VINYL STYLE	

NOTES:

1. UNLESS OTHERWISE SPECIFIED ALL DIMENSIONS ARE GIVEN IN INCHES. TOLERANCES ARE: DECIMALS ± .005, ANGLES ± 1/2°, FRACTIONS ± 1/64".

OUTSIDE View



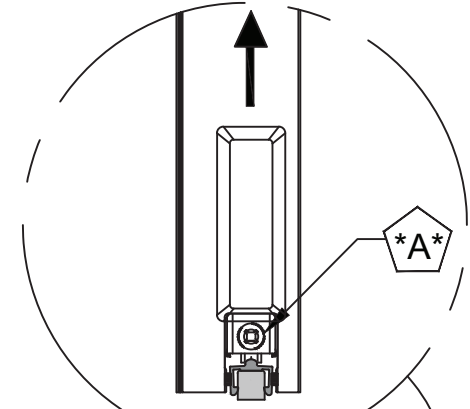
ATTENTION:

Adjust the height and squareness of the sashes (centrals and mobiles) with the adjusting screw.



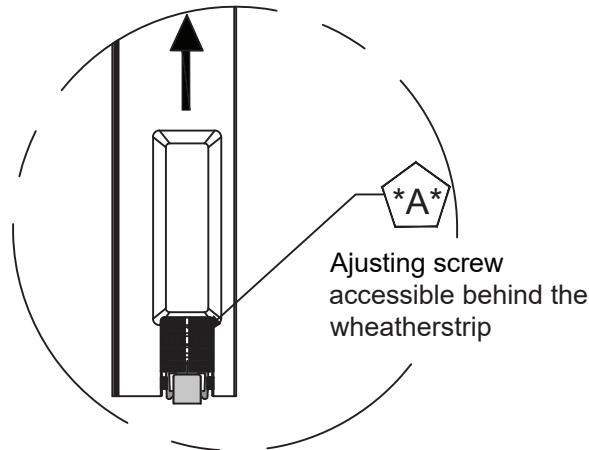
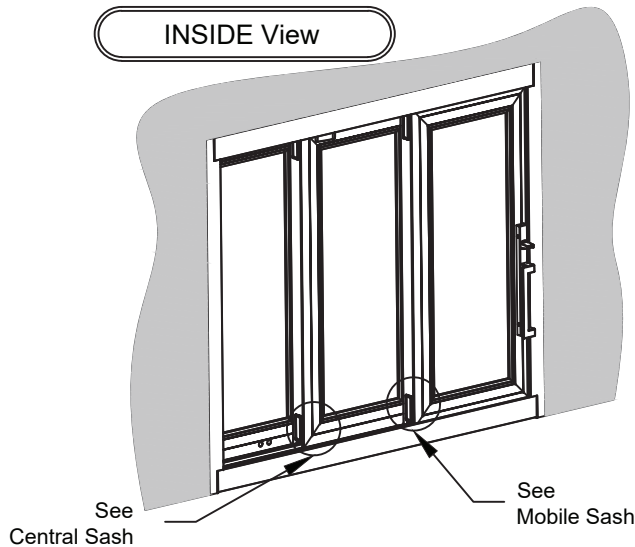
Screwdriver Bit

Quadrex 6" #2 (1X)

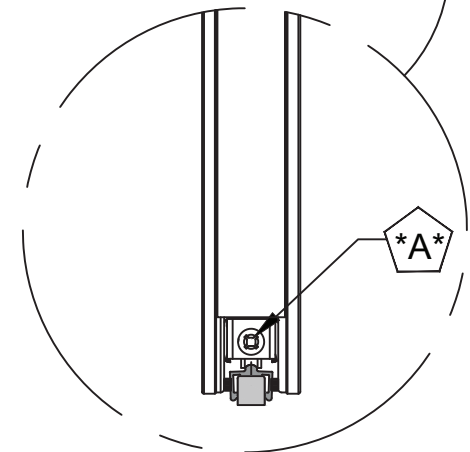


Mobile Sash

INSIDE View



Central Sash



DCN - 204CA6	CREATOR - MONG	SHEET NO. - 45 OF 72	REPLACES -
REV - 0	PCR - V1042	DATE - 10/17/23	REV. BY - MONG / BLUME
COMMENTS - INITIAL DRAWING CREATION ADDED INSTALLATION INSTRUCTION PART # MAY 2026			XXO MULTI TRACK PATIO DOOR - ADJUSTMENT OF THE SASH - ASSEMBLY PART # 1300005608
			PRODUCT - FORGENT COMPLEMENTARY MULTI-SLIDE DOOR VINYL STYLE

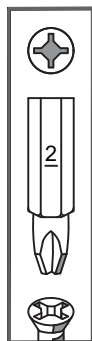
NOTES:

1. UNLESS OTHERWISE SPECIFIED ALL DIMENSIONS ARE GIVEN IN INCHES. TOLERANCES ARE: DECIMALS ± .005, ANGLES ± 1/2°, FRACTIONS ± 1/64".

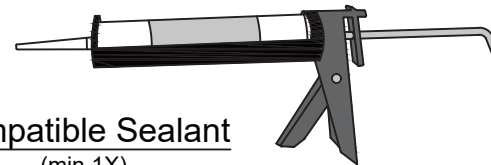
Tools and hardware required for this step



Impact
(1X)



Screwdriver Bit
(1X)



Compatible Sealant
(min.1X)



Screwdriver Bit
Quadrex 6" #2 (1X)

08375.00.SACn2.3V : HEAD Hardware bag

8941.VIS08
(8X)
BLACK

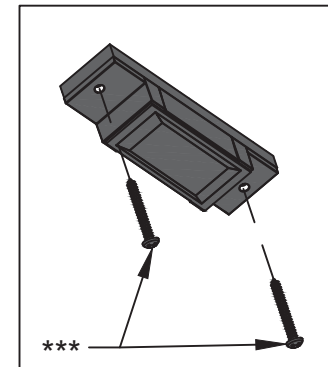
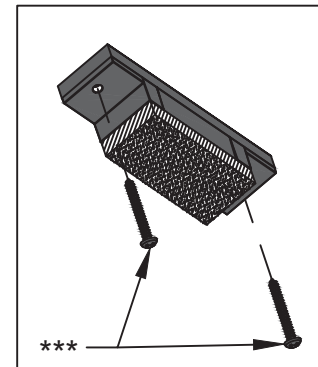
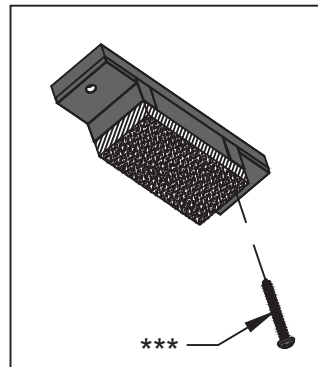
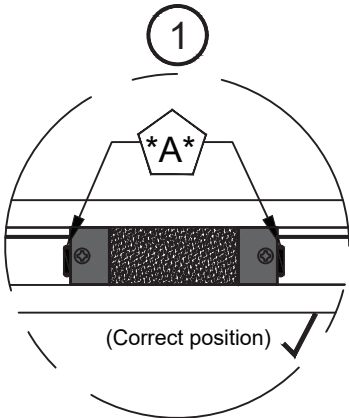
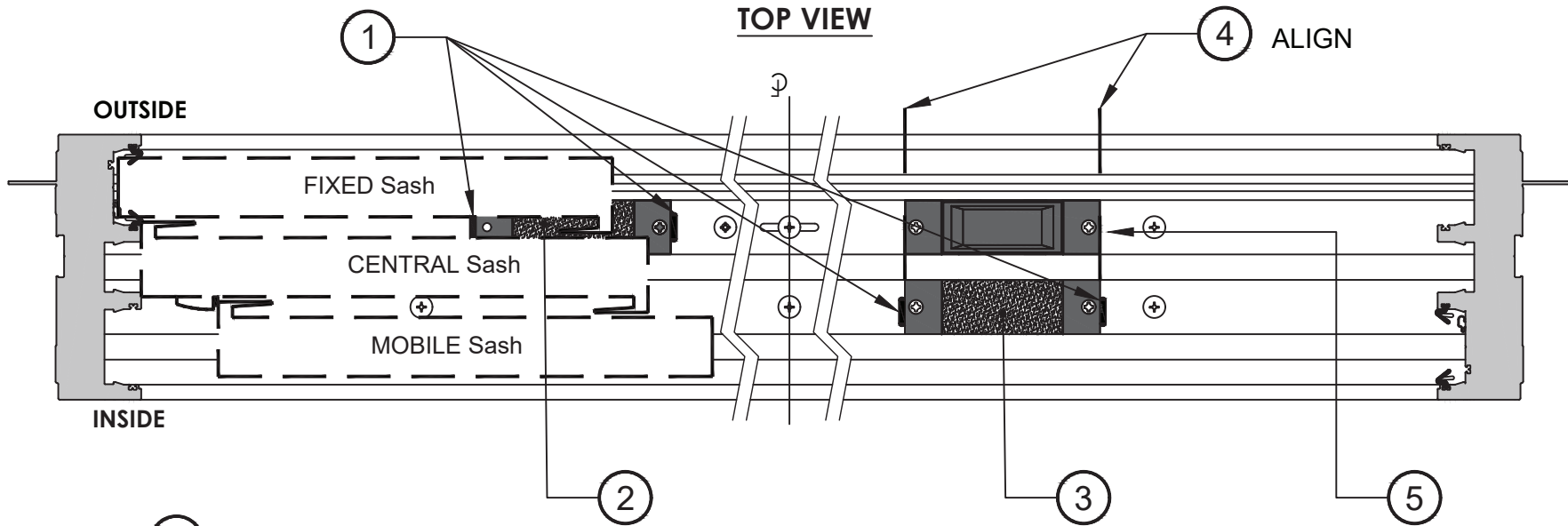
00703.ADM35
(2X)

8703.BMSCF
(1X)

Assembled with foam 8373

DCN - 2B04A5	CREATOR - MONG	SHEET NO. - 46 OF 72	REPLACES -
REV - 0	PCR - V1042	DATE - 10/17/23	REV. BY - MONG / BLUME
COMMENTS - INITIAL DRAWING CREATION ADDED INSTALLATION INSTRUCTION PART # MAY 2026		XXO MULTI TRACK PATIO DOOR - INSTALLATION OF HEAD BLOCKS - ASSEMBLY PART # 1300005608	
		PRODUCT- FORGENT COMPLEMENTARY MULTI-SLIDE DOOR VINYL STYLE	

NOTES:
 1. UNLESS OTHERWISE SPECIFIED ALL DIMENSIONS ARE GIVEN IN INCHES. TOLERANCES ARE: DECIMALS ± .005, ANGLES ± 1/2°, FRACTIONS ± 1/64".



ATTENTION:
 The blocks must be centered between the marks.

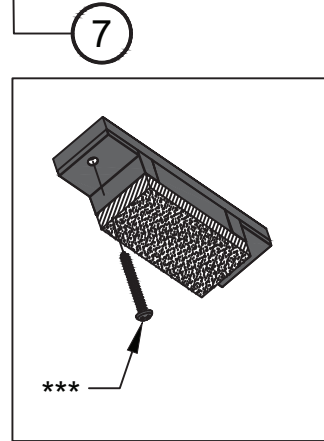
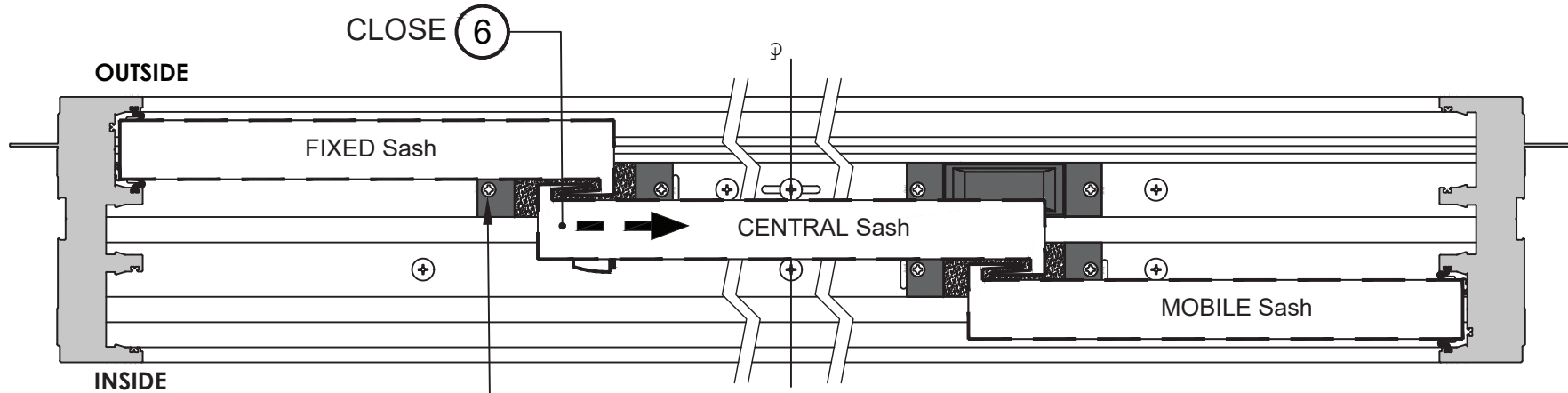
*****ATTENTION***:**
 Do not overtighten screws
 (Foam under head block should not be compressed)

DCN - 6082B1	CREATOR - MONG	SHEET NO. - 47 OF 72	REPLACES -
REV - 0	PCR - V1042	DATE - 10/17/23	REV. BY - MONG / BLUME
COMMENTS - INITIAL DRAWING CREATION ADDED INSTALLATION INSTRUCTION PART # MAY 2026			XXO MULTI TRACK PATIO DOOR - INSTALLATION OF HEAD BLOCKS - ASSEMBLY PART # 1300005608
			PRODUCT - FORGENT COMPLEMENTARY MULTI-SLIDE DOOR VINYL STYLE

NOTES:

1. UNLESS OTHERWISE SPECIFIED ALL DIMENSIONS ARE GIVEN IN INCHES. TOLERANCES ARE: DECIMALS ± .005, ANGLES ± 1/2°, FRACTIONS ± 1/64".

TOP VIEW

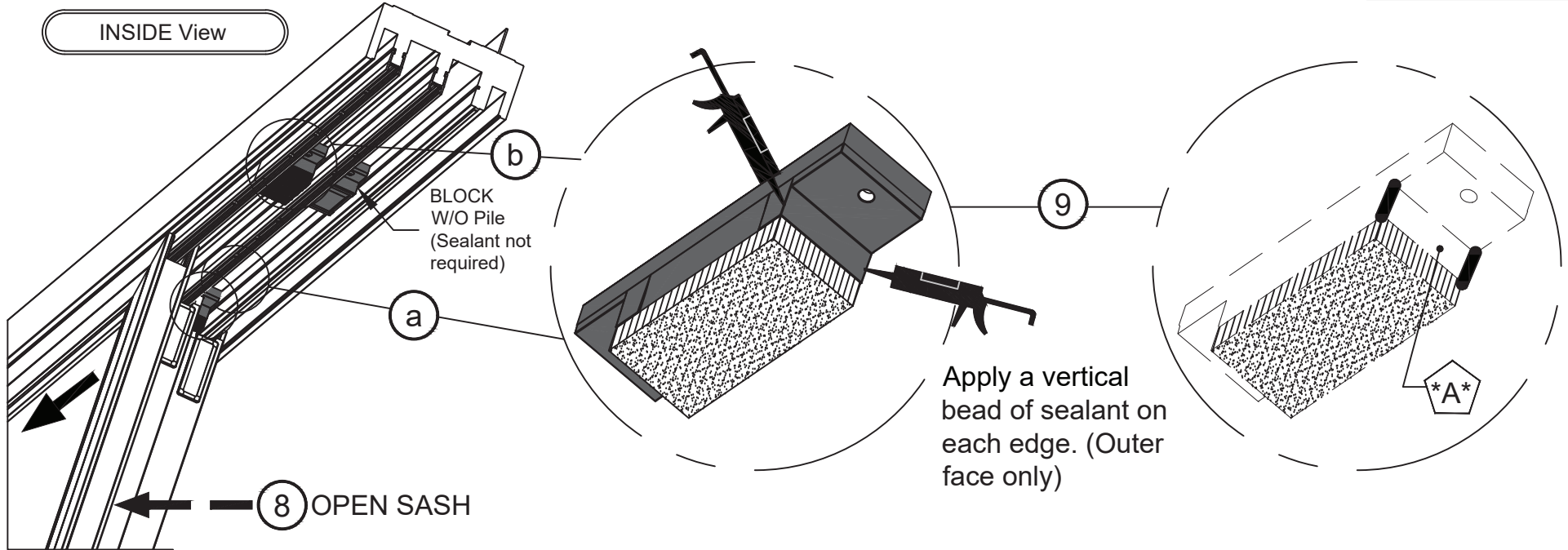


*****ATTENTION***:**

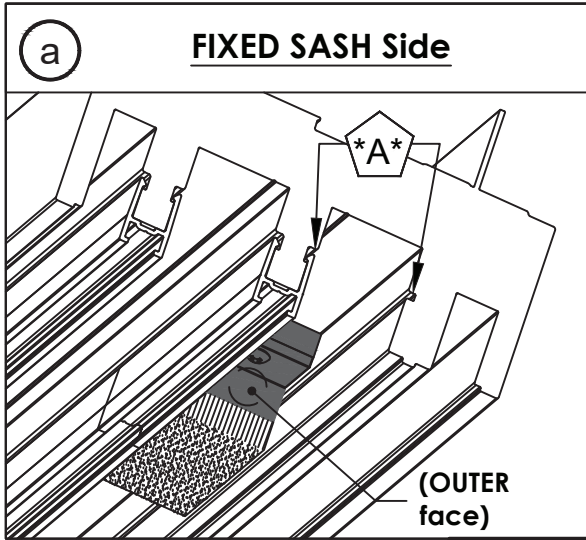
**Do not overtighten screw
(Foam under head block should not be compressed)**

DCN - 489D91	CREATOR - MONG	SHEET NO. - 48 OF 72	REPLACES -
REV - 0	PCR - V1042	DATE - 10/17/23	REV. BY - MONG / BLUME
COMMENTS - INITIAL DRAWING CREATION ADDED INSTALLATION INSTRUCTION PART # MAY 2026			XXO MULTI TRACK PATIO DOOR - INSTALLATION OF HEAD BLOCKS - ASSEMBLY PART # 1300005608
			PRODUCT - FORGENT COMPLEMENTARY MULTI-SLIDE DOOR VINYL STYLE

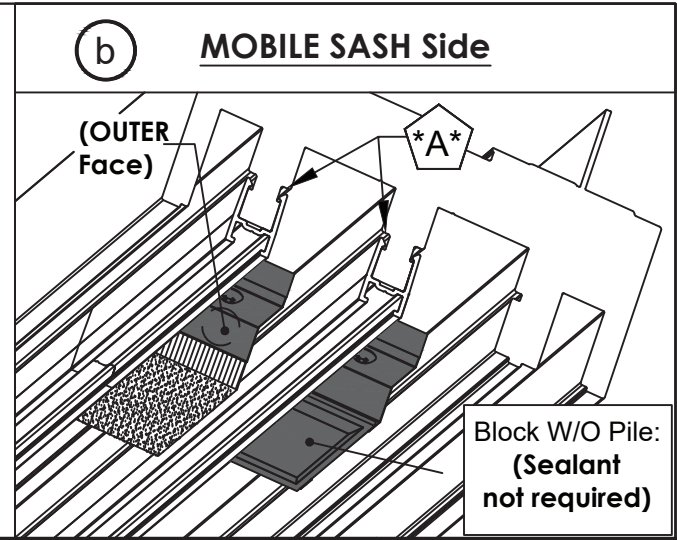
NOTES:
 1. UNLESS OTHERWISE SPECIFIED ALL DIMENSIONS ARE GIVEN IN INCHES. TOLERANCES ARE: DECIMALS ± .005, ANGLES ± 1/2°, FRACTIONS ± 1/64".



Apply a vertical bead of sealant on each edge. (Outer face only)



A
ATTENTION:
 On the outer face of the head blocks WITH Weatherstrip:
 Make sure the grooves in the head are filled with sealant.

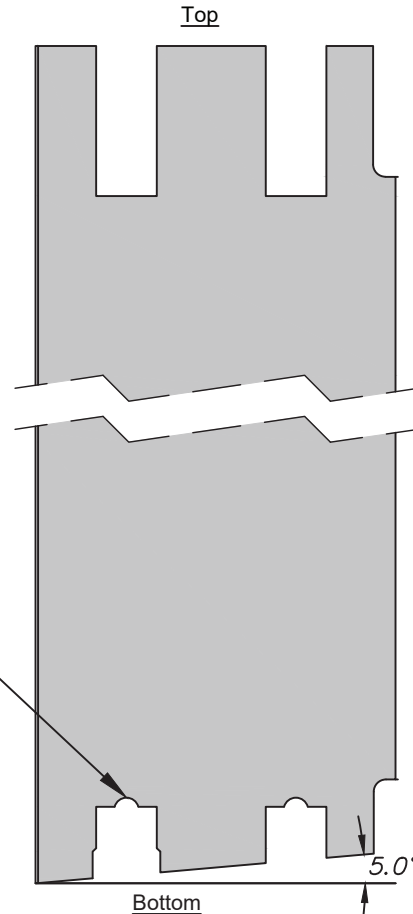
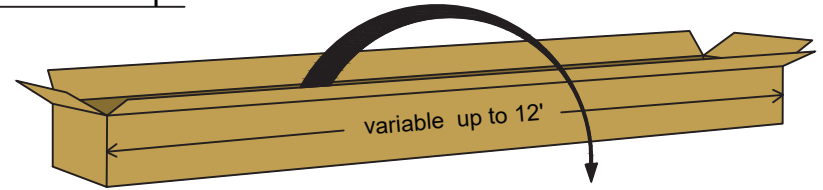
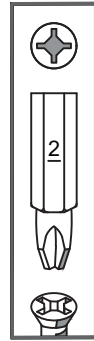
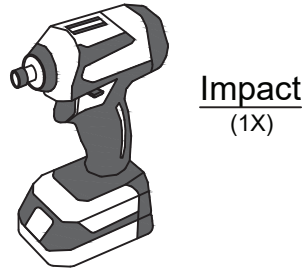
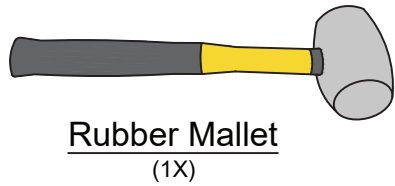


DCN - 2D3583	CREATOR - MONG	SHEET NO. - 49 OF 72	REPLACES -
REV - 0	PCR - V1042	DATE - 10/17/23	REV. BY - MONG / BLUME
COMMENTS - INITIAL DRAWING CREATION ADDED INSTALLATION INSTRUCTION PART # MAY 2026		XXO MULTI TRACK PATIO DOOR - INSTALLATION OF HEAD BLOCKS - ASSEMBLY PART # 1300005608	
		PRODUCT - FORGENT COMPLEMENTARY MULTI-SLIDE DOOR VINYL STYLE	

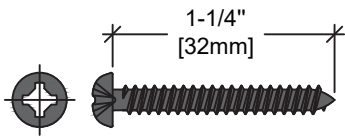
NOTES:

1. UNLESS OTHERWISE SPECIFIED ALL DIMENSIONS ARE GIVEN IN INCHES. TOLERANCES ARE: DECIMALS ± .005, ANGLES ± 1/2°, FRACTIONS ± 1/64".

Tools and materials required for this step

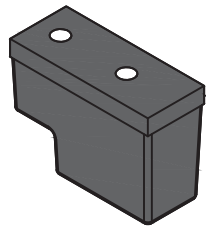


08380.00.SACn2.3V : HEAD Hardware bag



8941.VIS08
(2X)
black

8940
(1X)



Assembled with shim 8789

8313.(GI)

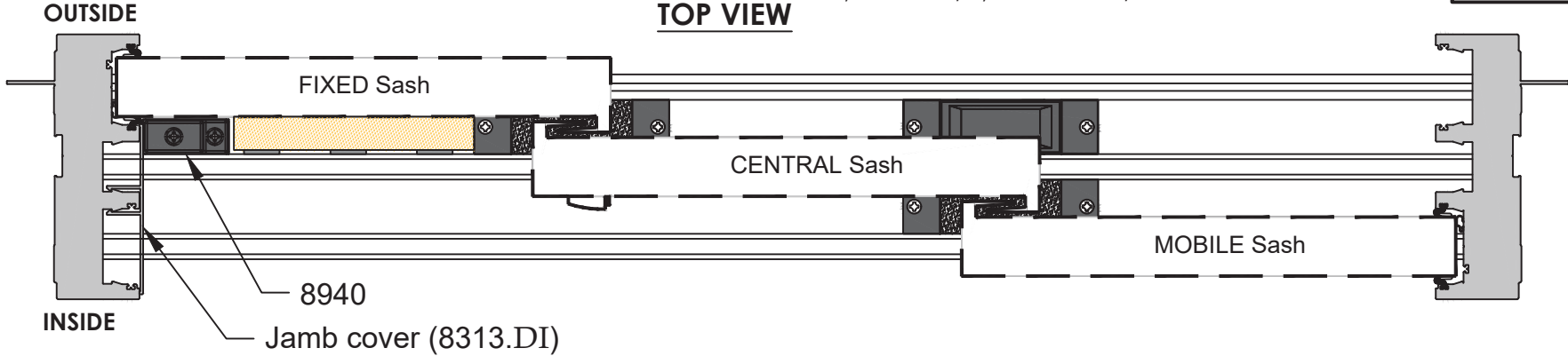
DCN - 4F82A5	CREATOR - MONG	SHEET NO. - 50 OF 72	REPLACES -
REV - 0	PCR - V1042	DATE - 10/17/23	REV. BY - MONG / BLUME
COMMENTS - INITIAL DRAWING CREATION ADDED INSTALLATION INSTRUCTION PART # MAY 2026			XXO MULTI TRACK PATIO DOOR - INSTALLATION OF JAMBS COVER (INTERIOR) & SASH STOP - ASSEMBLY PART # 1300005608
			PRODUCT- FORGENT COMPLEMENTARY MULTI-SLIDE DOOR VINYL STYLE

THIS DRAWING IS THE PROPERTY OF KOLBE & KOLBE MILLWORK CO., INC. THE INFORMATION THEREON IS TO BE TREATED AS CONFIDENTIAL. ALL TRADE SECRETS ARE ENTITLED TO ALL THE PROTECTIONS AND BENEFITS UNDER APPLICABLE LAW. THIS DRAWING IS NOT TO BE USED, COPIED, OR DISCLOSED TO OUTSIDE PARTIES WITHOUT OUR WRITTEN CONSENT.

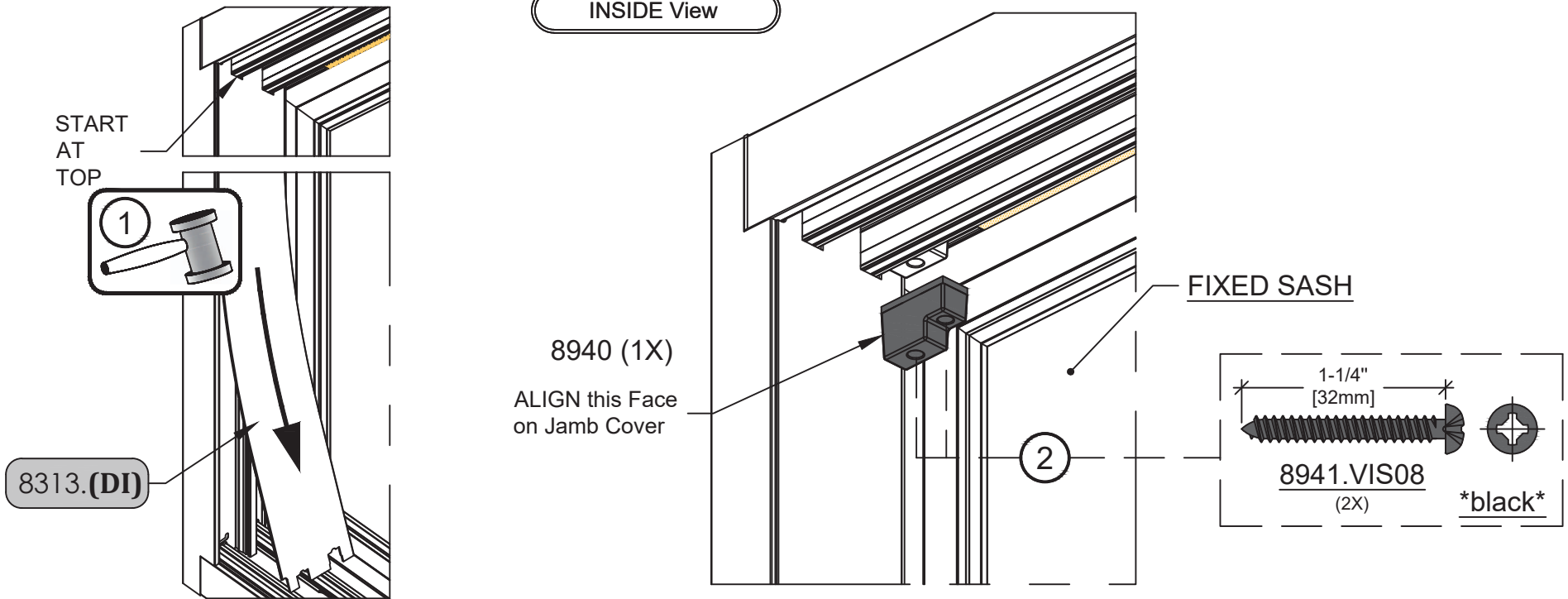


NOTES:

1. UNLESS OTHERWISE SPECIFIED ALL DIMENSIONS ARE GIVEN IN INCHES. TOLERANCES ARE: DECIMALS ± .005, ANGLES ± 1/2°, FRACTIONS ± 1/64".



INSIDE View

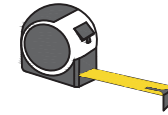
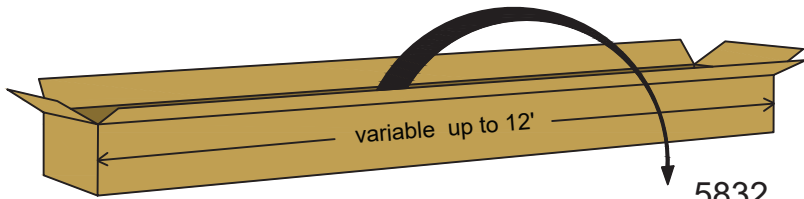


DCN - 14EF6E	CREATOR - MONG	SHEET NO. - 51 OF 72	REPLACES -
REV - 0	PCR - V1042	DATE - 10/17/23	REV. BY - MONG / BLUME
COMMENTS - INITIAL DRAWING CREATION ADDED INSTALLATION INSTRUCTION PART # MAY 2026			XXO MULTI TRACK PATIO DOOR - INSTALLATION OF JAMBS COVER (INTERIOR) & SASH STOP - ASSEMBLY PART # 1300005608
			PRODUCT- FORGENT COMPLEMENTARY MULTI-SLIDE DOOR VINYL STYLE

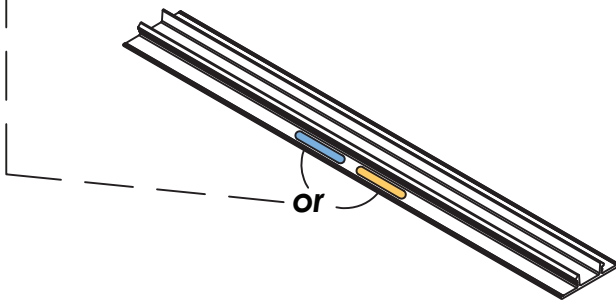
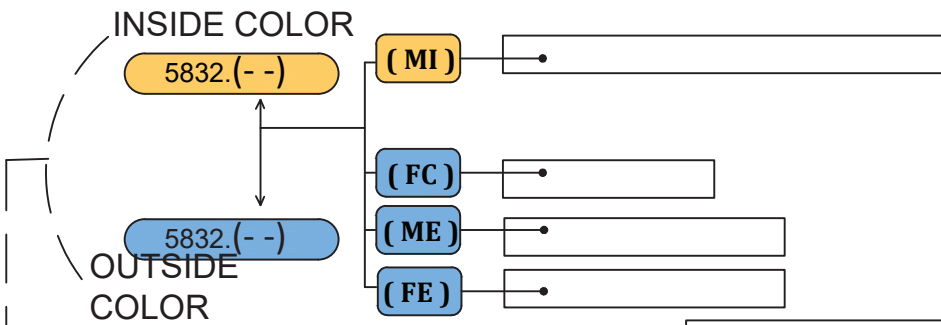
NOTES:

1. UNLESS OTHERWISE SPECIFIED ALL DIMENSIONS ARE GIVEN IN INCHES. TOLERANCES ARE: DECIMALS ± .005, ANGLES ± 1/2°, FRACTIONS ± 1/64".

Tools and materials required for this step



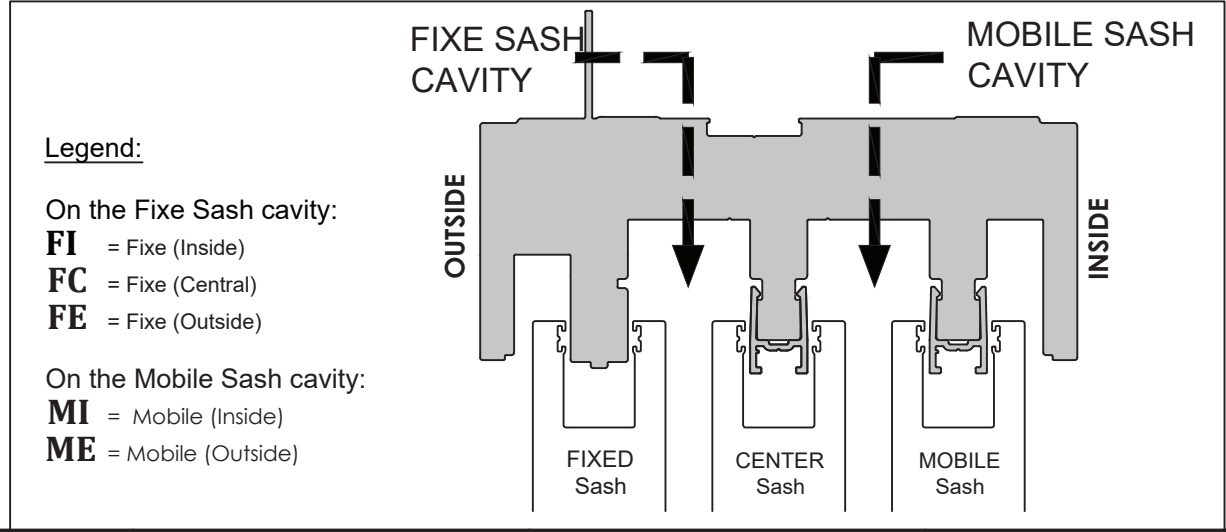
Measuring Tape
(1X)



PAY ATTENTION TO THE COLOR

08399.14.SACAN.3V : Head Cover Anchor bag

8399.ANCRA
(15X)



Legend:

On the Fixe Sash cavity:

FI = Fixe (Inside)

FC = Fixe (Central)

FE = Fixe (Outside)

On the Mobile Sash cavity:

MI = Mobile (Inside)

ME = Mobile (Outside)

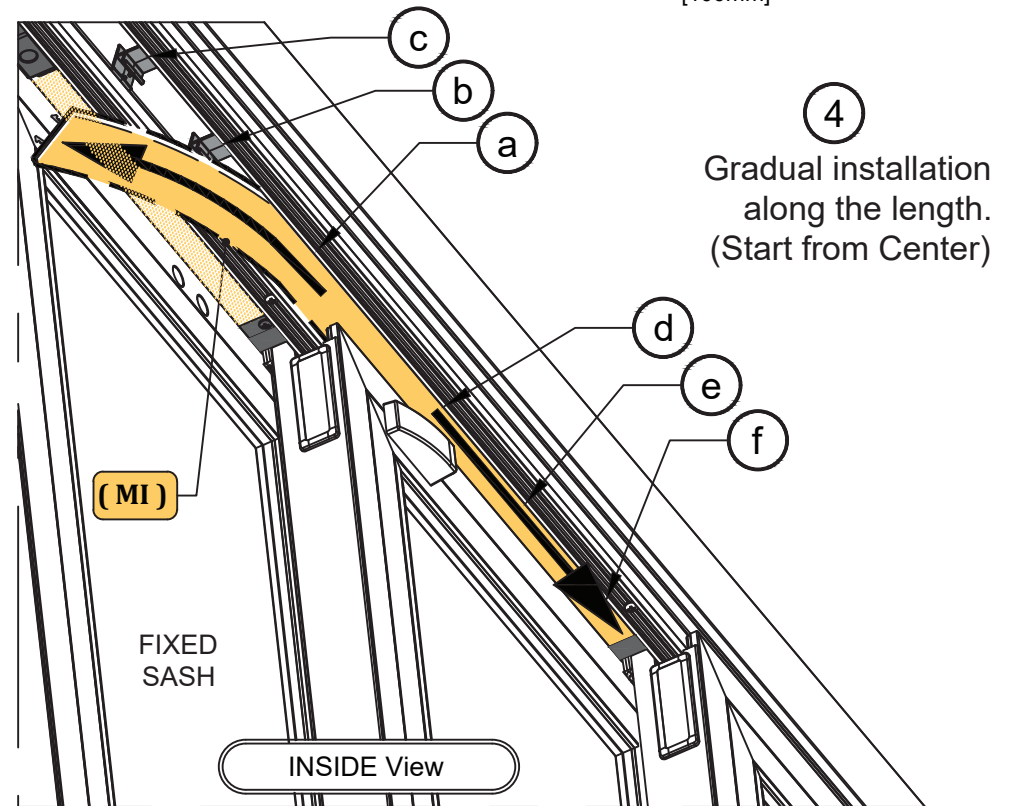
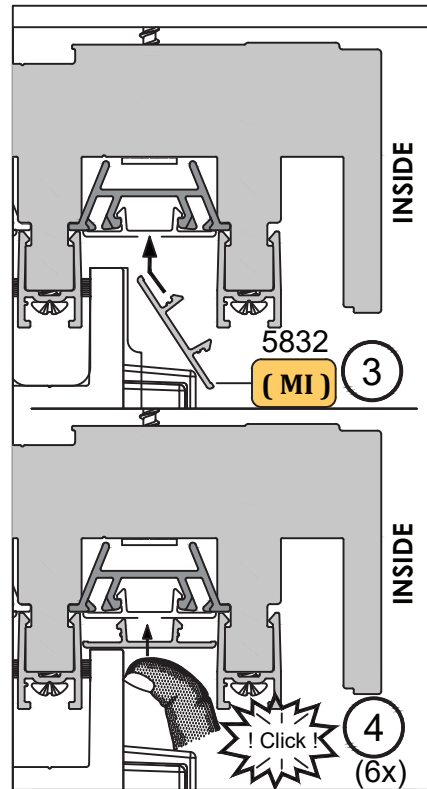
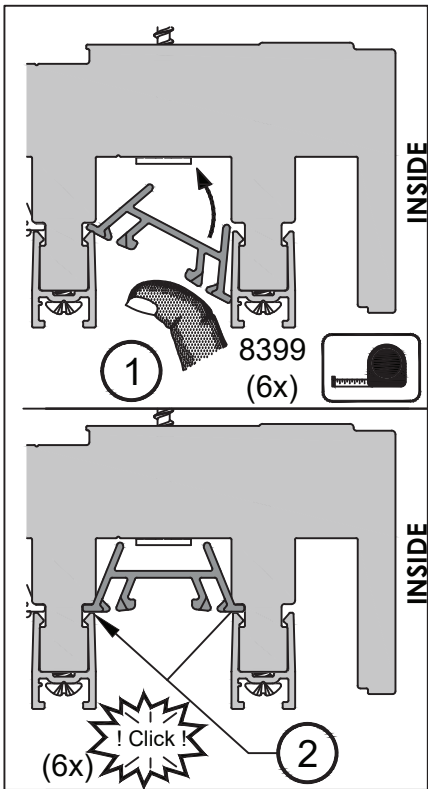
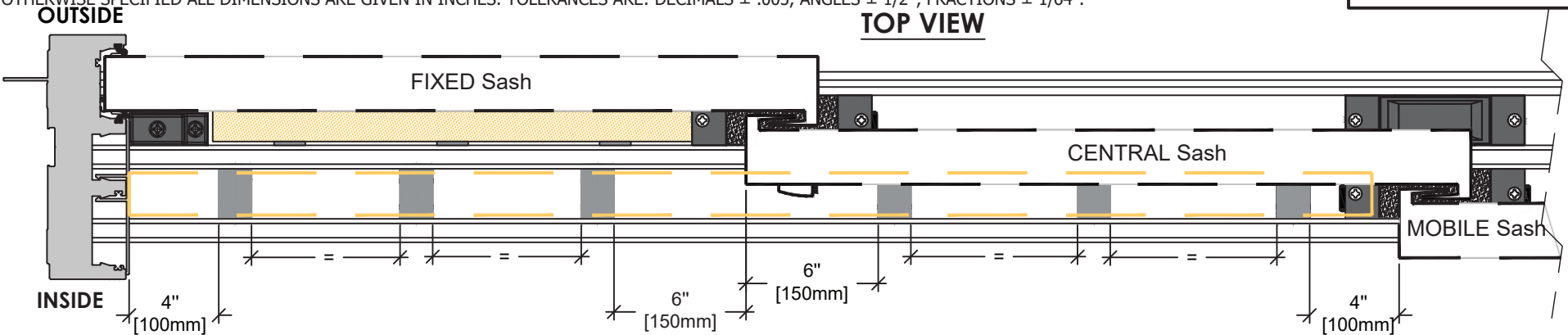
DCN - 60D3AE	CREATOR - MONG	SHEET NO. - 52 OF 72	REPLACES -
REV - 0	PCR - V1042	DATE - 10/17/23	REV. BY - MONG / BLUME
COMMENTS - INITIAL DRAWING CREATION ADDED INSTALLATION INSTRUCTION PART # MAY 2026		XXO MULTI TRACK PATIO DOOR - INSTALLATION OF HEAD COVERS #5832 - ASSEMBLY PART # 1300005608	
		PRODUCT - FORGENT COMPLEMENTARY MULTI-SLIDE DOOR VINYL STYLE	

THIS DRAWING IS THE PROPERTY OF KOLBE & KOLBE MILLWORK CO., INC. THE INFORMATION THEREON IS TO BE TREATED AS CONFIDENTIAL. ALL TRADE SECRETS ARE ENTITLED TO ALL THE PROTECTIONS AND BENEFITS UNDER APPLICABLE LAW. THIS DRAWING IS NOT TO BE USED, COPIED, OR DISCLOSED TO OUTSIDE PARTIES WITHOUT OUR WRITTEN CONSENT.



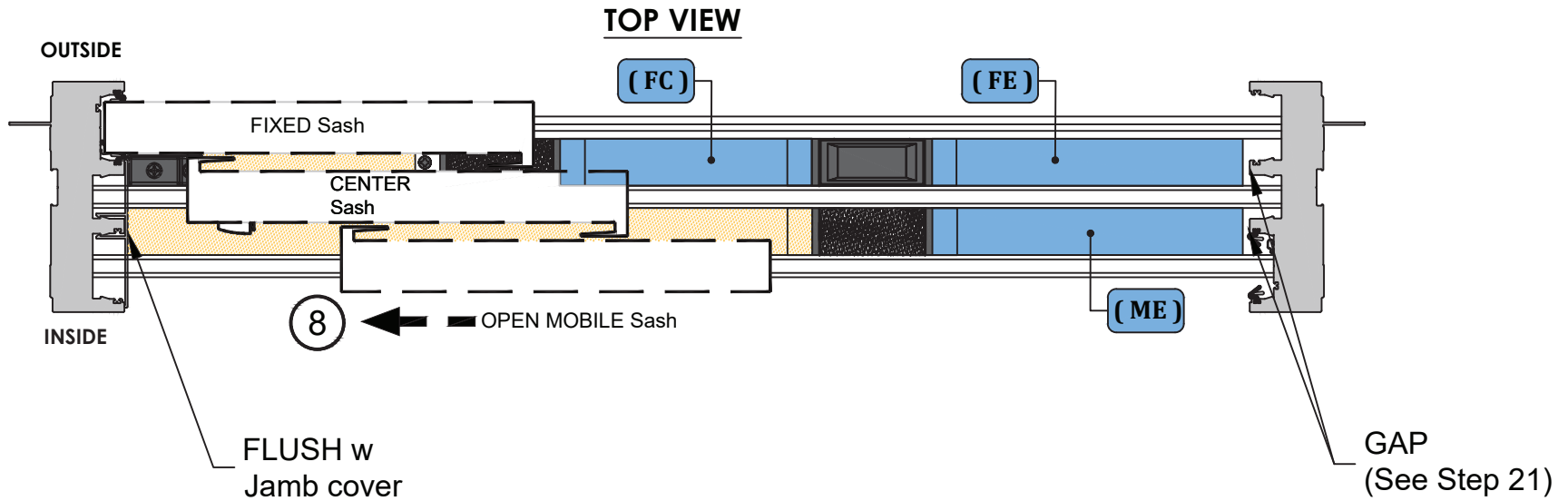
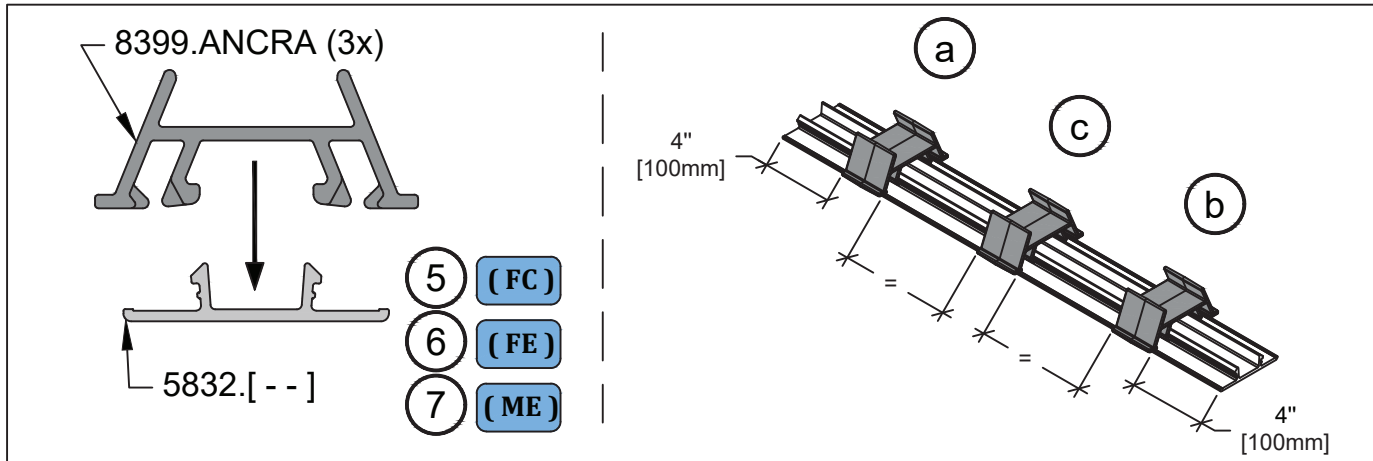
NOTES:

1. UNLESS OTHERWISE SPECIFIED ALL DIMENSIONS ARE GIVEN IN INCHES. TOLERANCES ARE: DECIMALS ± .005, ANGLES ± 1/2°, FRACTIONS ± 1/64".



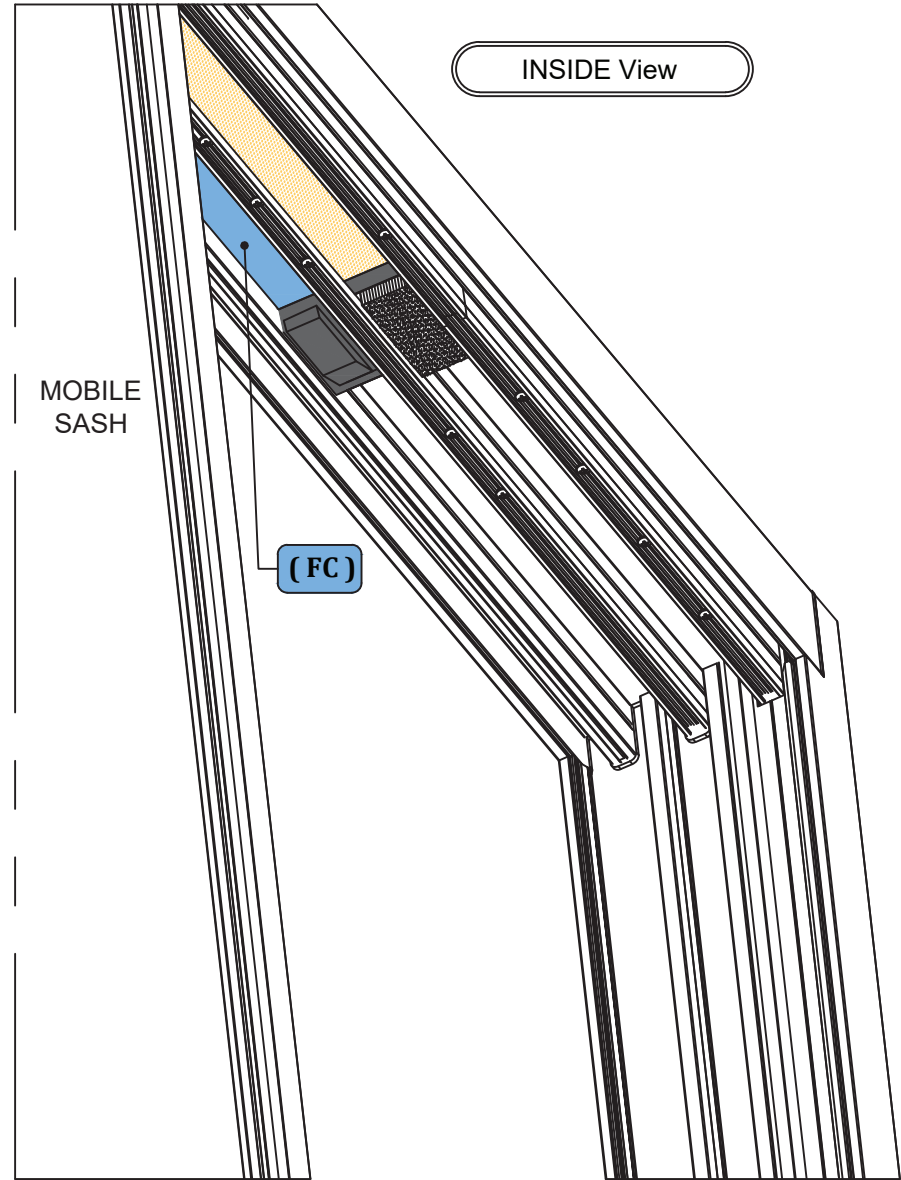
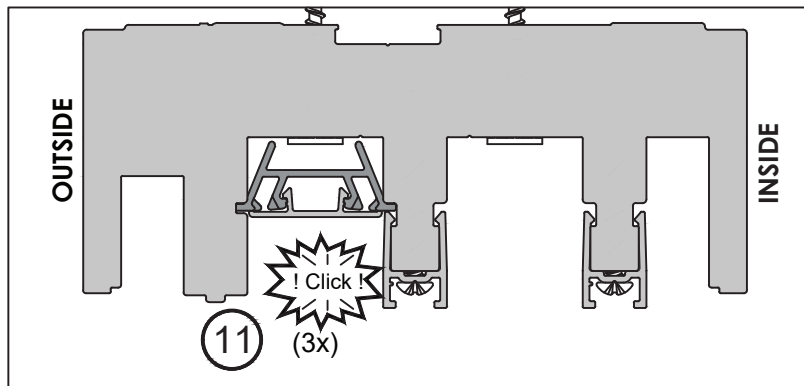
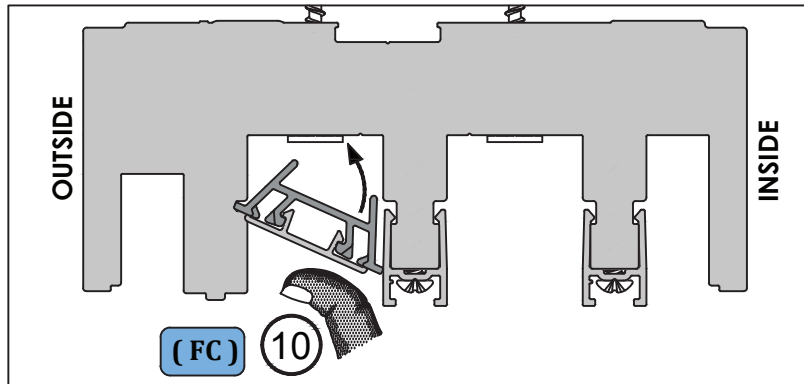
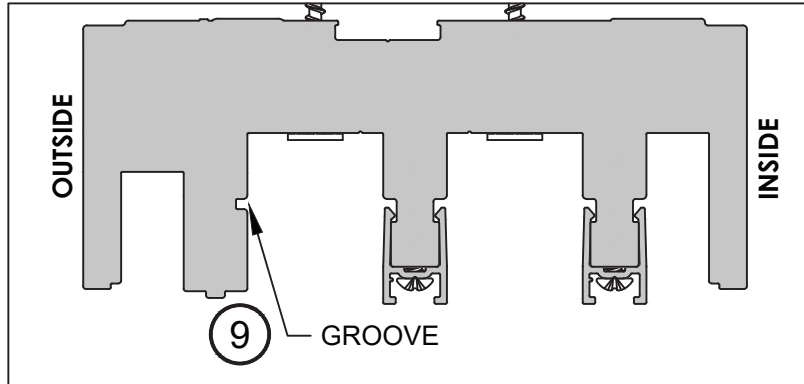
DCN - 91A42B	CREATOR - MONG	SHEET NO. - 53 OF 72	REPLACES -
REV - 0	PCR - V1042	DATE - 10/17/23	REV. BY - MONG / BLUME
COMMENTS - INITIAL DRAWING CREATION ADDED INSTALLATION INSTRUCTION PART # MAY 2026		XXO MULTI TRACK PATIO DOOR - INSTALLATION OF HEAD COVERS #5832 - ASSEMBLY PART # 1300005608	
		PRODUCT- FORGENT COMPLEMENTARY MULTI-SLIDE DOOR VINYL STYLE	

NOTES:
 1. UNLESS OTHERWISE SPECIFIED ALL DIMENSIONS ARE GIVEN IN INCHES. TOLERANCES ARE: DECIMALS ± .005, ANGLES ± 1/2°, FRACTIONS ± 1/64".



DCN - 85694E	CREATOR - MONG	SHEET NO. - 54 OF 72	REPLACES -
REV - 0	PCR - V1042	DATE - 10/17/23	REV. BY - MONG / BLUME
COMMENTS - INITIAL DRAWING CREATION ADDED INSTALLATION INSTRUCTION PART # MAY 2026		XXO MULTI TRACK PATIO DOOR - INSTALLATION OF HEAD COVERS #5832 - ASSEMBLY PART # 1300005608	
		PRODUCT - FORGENT COMPLEMENTARY MULTI-SLIDE DOOR VINYL STYLE	

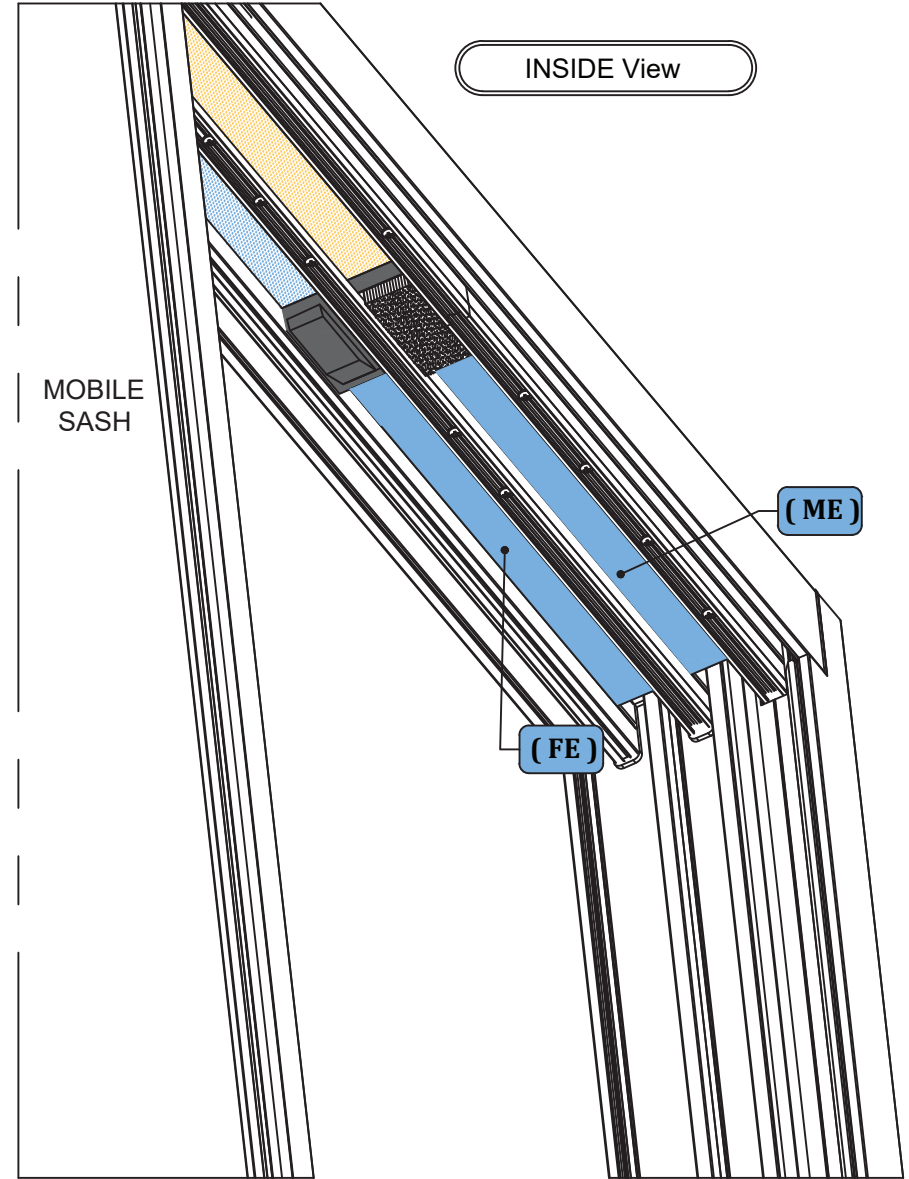
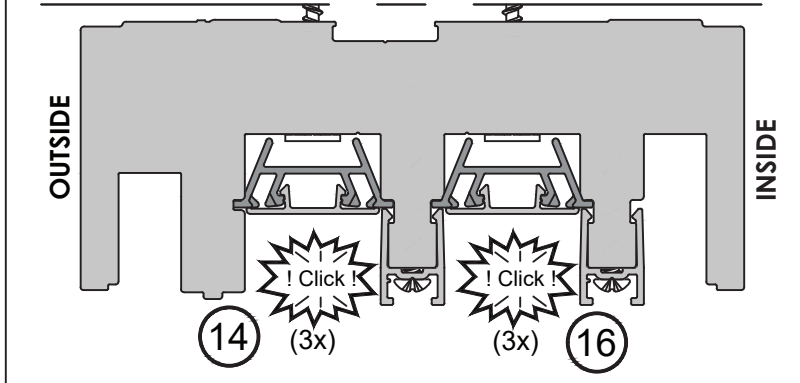
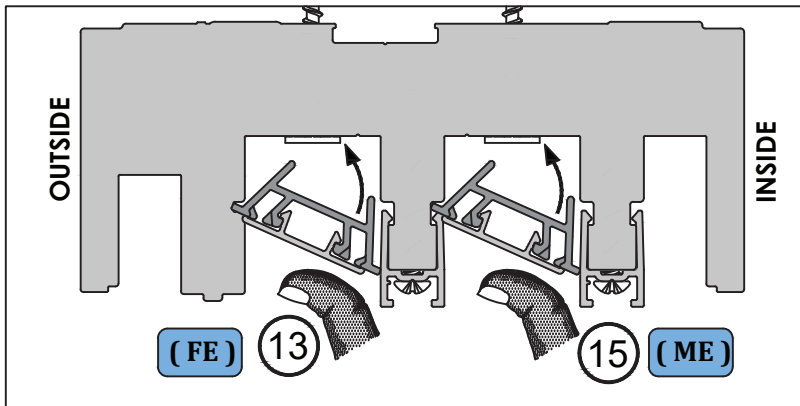
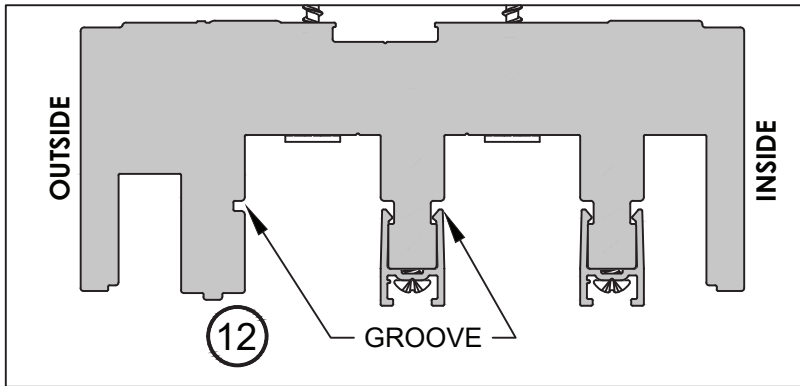
NOTES:
 1. UNLESS OTHERWISE SPECIFIED ALL DIMENSIONS ARE GIVEN IN INCHES. TOLERANCES ARE: DECIMALS ± .005, ANGLES ± 1/2°, FRACTIONS ± 1/64".



DCN - 5DB8E4	CREATOR - MONG	SHEET NO. - 55 OF 72	REPLACES -
REV - 0	PCR - V1042	DATE - 10/17/23	REV. BY - MONG / BLUME
COMMENTS - INITIAL DRAWING CREATION ADDED INSTALLATION INSTRUCTION PART # MAY 2026		XXO MULTI TRACK PATIO DOOR - INSTALLATION OF HEAD COVERS #5832 - ASSEMBLY PART # 1300005608	
		PRODUCT- FORGENT COMPLEMENTARY MULTI-SLIDE DOOR VINYL STYLE	

NOTES:

1. UNLESS OTHERWISE SPECIFIED ALL DIMENSIONS ARE GIVEN IN INCHES. TOLERANCES ARE: DECIMALS ± .005, ANGLES ± 1/2°, FRACTIONS ± 1/64".

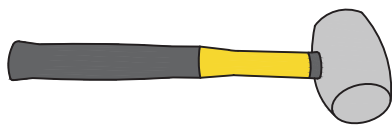


DCN - 799D07	CREATOR - MONG	SHEET NO. - 56 OF 72	REPLACES -
REV - 0	PCR - V1042	DATE - 10/17/23	REV. BY - MONG / BLUME
COMMENTS - INITIAL DRAWING CREATION ADDED INSTALLATION INSTRUCTION PART # MAY 2026			XXO MULTI TRACK PATIO DOOR - INSTALLATION OF HEAD COVERS #5832 - ASSEMBLY PART # 1300005608
			PRODUCT- FORGENT COMPLEMENTARY MULTI-SLIDE DOOR VINYL STYLE

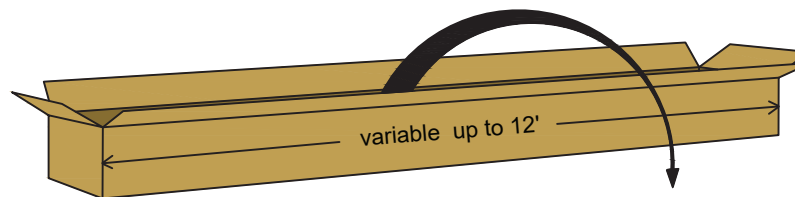
NOTES:

1. UNLESS OTHERWISE SPECIFIED ALL DIMENSIONS ARE GIVEN IN INCHES. TOLERANCES ARE: DECIMALS ± .005, ANGLES ± 1/2°, FRACTIONS ± 1/64".

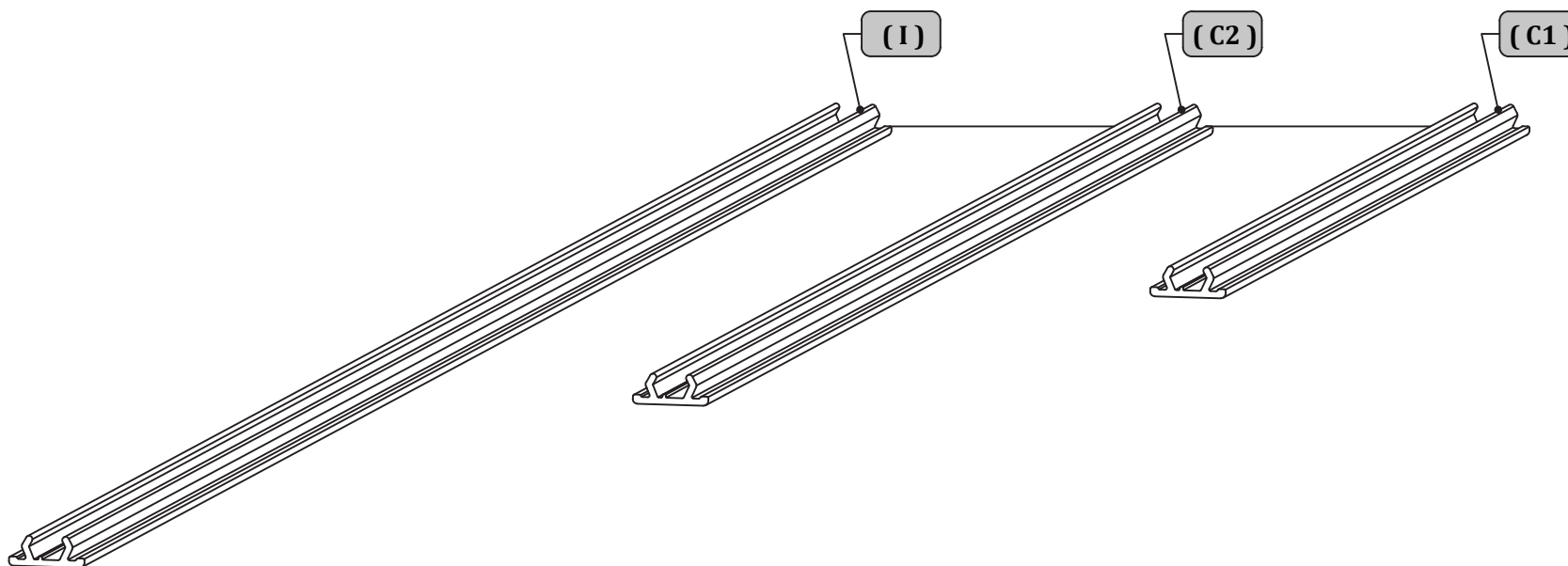
Tools and components required for this step



Rubber Mallet
(1X)



8331
(3X)



DCN - 0489A3	CREATOR - MONG	SHEET NO. - 57 OF 72	REPLACES -
REV - 0	PCR - V1042	DATE - 10/17/23	REV. BY - MONG / BLUME
COMMENTS - INITIAL DRAWING CREATION ADDED INSTALLATION INSTRUCTION PART # MAY 2026		XXO MULTI TRACK PATIO DOOR - INSTALLATION OF GROOVES COVERS #8331 - ASSEMBLY PART # 1300005608	
		PRODUCT- FORGENT COMPLEMENTARY MULTI-SLIDE DOOR VINYL STYLE	

NOTES:

1. UNLESS OTHERWISE SPECIFIED ALL DIMENSIONS ARE GIVEN IN INCHES. TOLERANCES ARE: DECIMALS ± .005, ANGLES ± 1/2°, FRACTIONS ± 1/64".

*** (If painted door)**

* INSIDE COLOR	
	(C1)
	(I)
<hr/>	
* OUTSIDE COLOR	
	(C2)

Legend:

(I1) = Inner tower
(C1) = Central tower (Part 1)
(C2) = Central tower (Part 2)

TOP VIEW

*** Insert the excess length through the sash until you reach the jamb.

① INSERT INTO SASH INTERLOCK

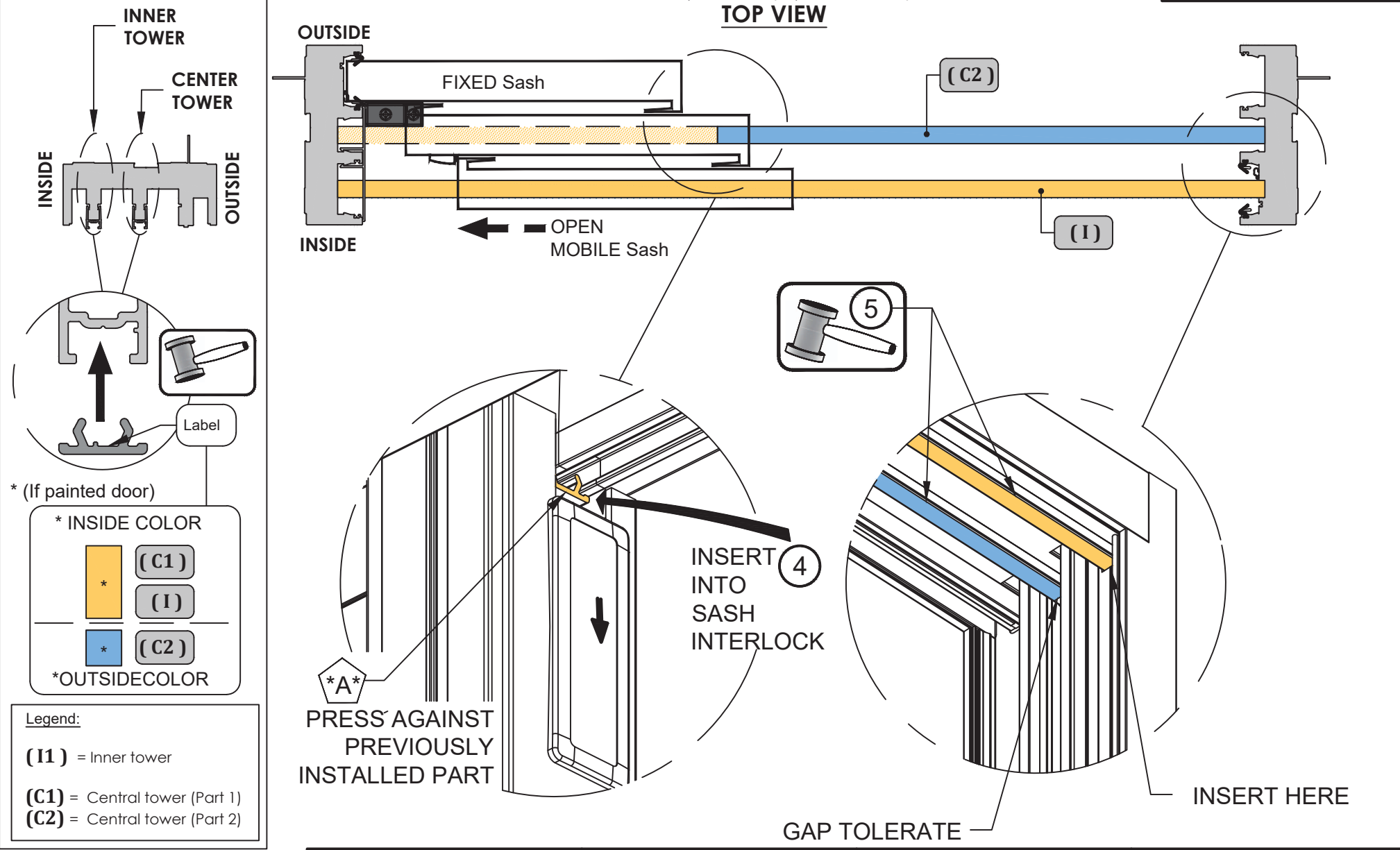
② INSERT INTO JAMB COVER

③ ON FULL LENGTH (VISIBLE PART)

DCN - 19F91D	CREATOR - MONG	SHEET NO. - 58 OF 72	REPLACES -
REV - 0	PCR - V1042	DATE - 10/17/23	REV. BY - MONG / BLUME
COMMENTS - INITIAL DRAWING CREATION ADDED INSTALLATION INSTRUCTION PART # MAY 2026		XXO MULTI TRACK PATIO DOOR - INSTALLATION OF GROOVES COVERS #8331 - ASSEMBLY RT # 1300005608	
		PRODUCT - FORGENT COMPLEMENTARY MULTI-SLIDE DOOR VINYL STYLE	

NOTES:

1. UNLESS OTHERWISE SPECIFIED ALL DIMENSIONS ARE GIVEN IN INCHES. TOLERANCES ARE: DECIMALS ± .005, ANGLES ± 1/2°, FRACTIONS ± 1/64".

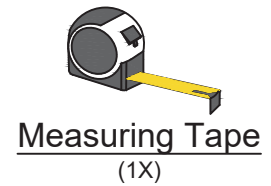
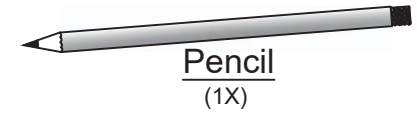
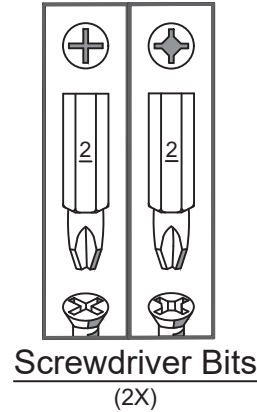
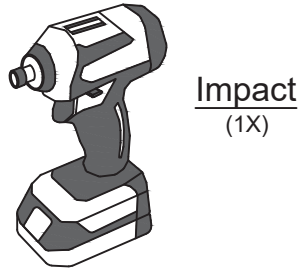
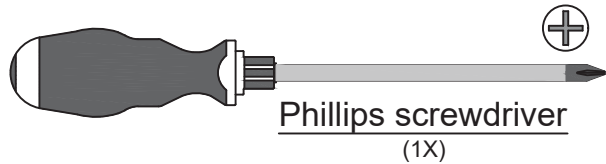
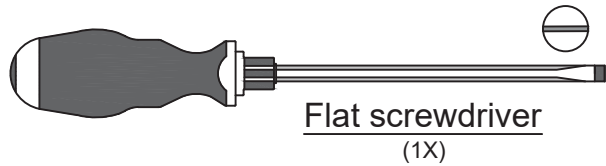


DCN - 7FC689	CREATOR - MONG	SHEET NO. - 59 OF 72	REPLACES -
REV - 0	PCR - V1042	DATE - 10/17/23	REV. BY - MONG / BLUME
COMMENTS - INITIAL DRAWING CREATION ADDED INSTALLATION INSTRUCTION PART # MAY 2026			XXO MULTI TRACK PATIO DOOR - INSTALLATION OF GROOVES COVERS #8331 - ASSEMBLY PART # 1300005608
PRODUCT - FORGENT COMPLEMENTARY MULTI-SLIDE DOOR VINYL STYLE			

NOTES:

1. UNLESS OTHERWISE SPECIFIED ALL DIMENSIONS ARE GIVEN IN INCHES. TOLERANCES ARE: DECIMALS ± .005, ANGLES ± 1/2°, FRACTIONS ± 1/64".

Tools and hardware required for this step

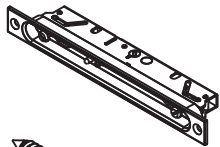


09250.KT.ENS2P :Lock & Keeper bag

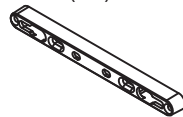
08375.58.SACn3.3V :
FINISHED Hardware bag

Handle
(model may differ of illustration)

9250.SER2P
(1X)



9250.GACHE
(1X)



* Not required *



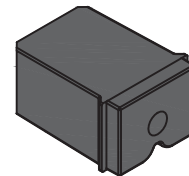
9149.VISME
(#10 x 3/4")
(2X)



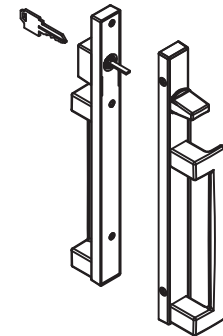
Screw
#10 x 2-1/2"
(2X)



9250.VISGA
(#10 x 1-3/4")
(4X)



9150.CAPUC
(2X)



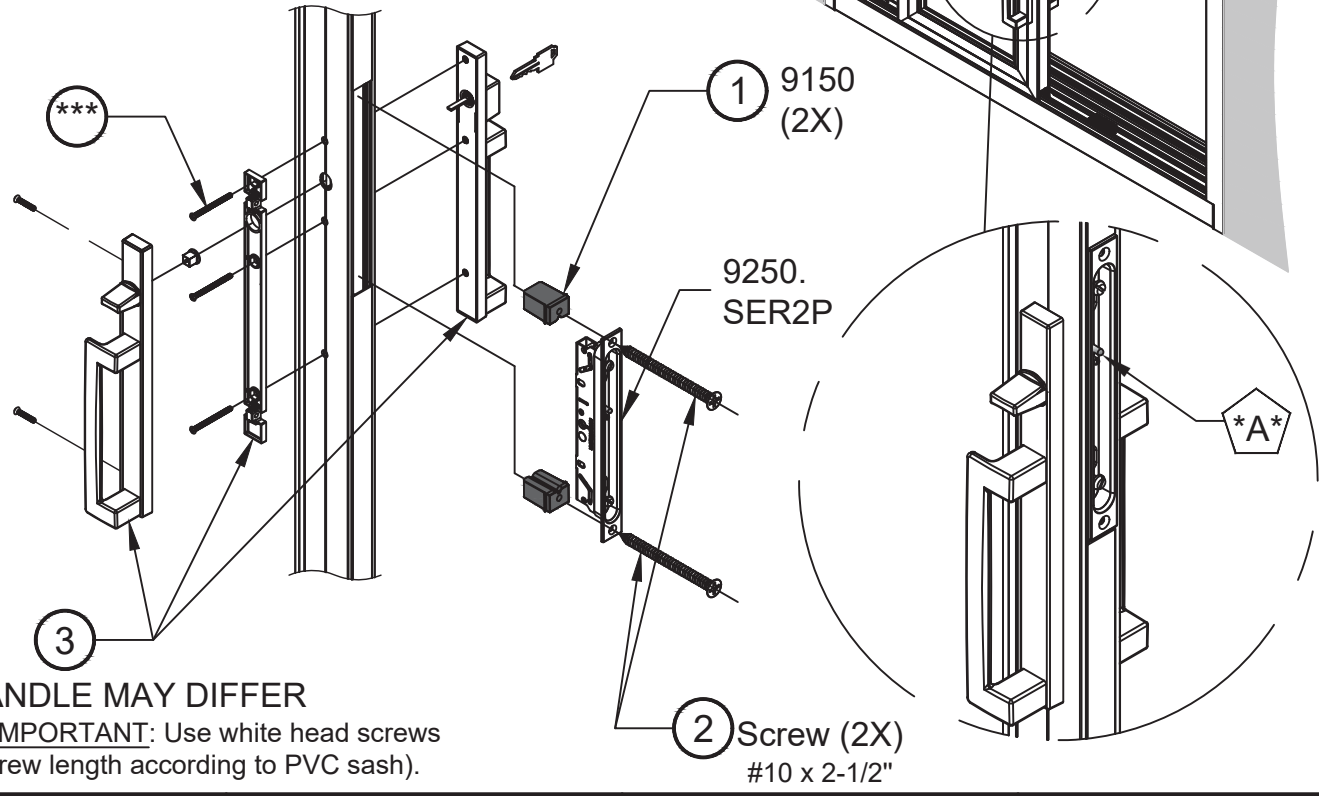
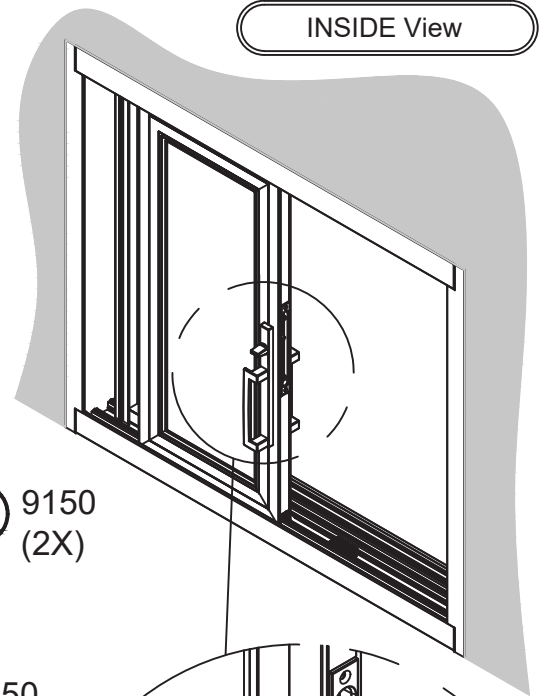
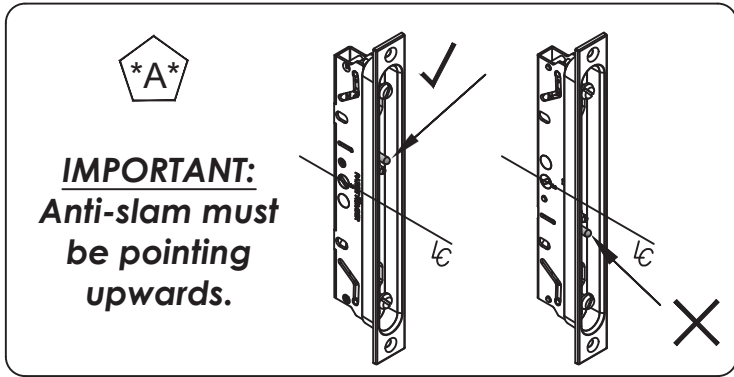
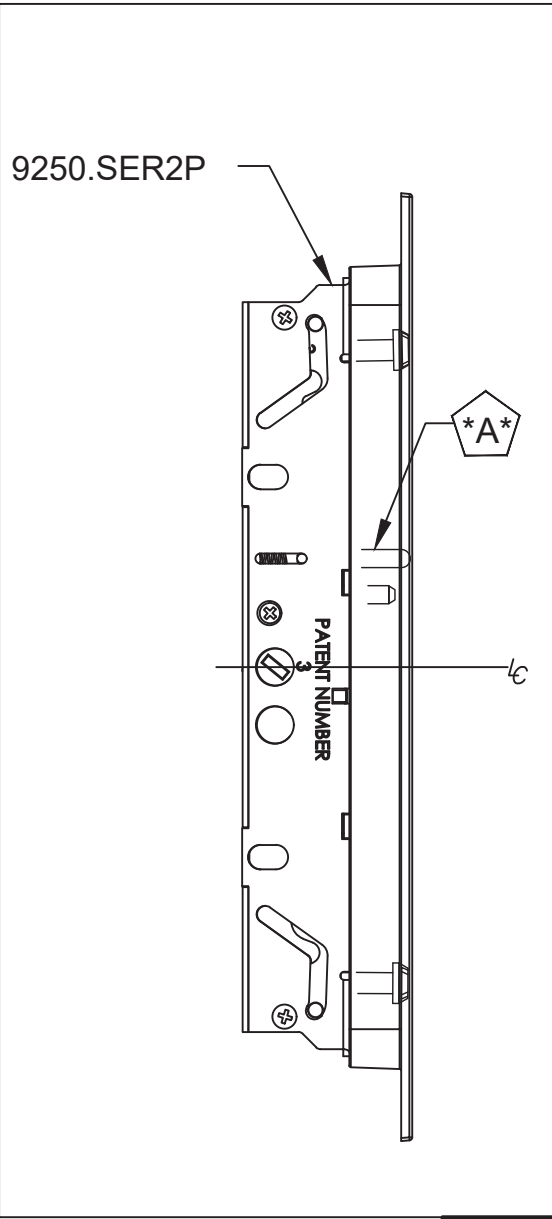
DCN - 0C6A01	CREATOR - MONG	SHEET NO. - 60 OF 72	REPLACES -
REV - 0	PCR - V1042	DATE - 10/17/23	REV. BY - MONG / BLUME
COMMENTS - INITIAL DRAWING CREATION ADDED INSTALLATION INSTRUCTION PART # MAY 2026		XXO MULTI TRACK PATIO DOOR - INSTALLATION OF HANDLE, LOCK & KEEPER - ASSEMBLY PART # 1300005608	
		PRODUCT- FORGENT COMPLEMENTARY MULTI-SLIDE DOOR VINYL STYLE	

THIS DRAWING IS THE PROPERTY OF KOLBE & KOLBE MILLWORK CO., INC. THE INFORMATION THEREON IS TO BE TREATED AS CONFIDENTIAL. ALL TRADE SECRETS ARE ENTITLED TO ALL THE PROTECTIONS AND BENEFITS UNDER APPLICABLE LAW. THIS DRAWING IS NOT TO BE USED, COPIED, OR DISCLOSED TO OUTSIDE PARTIES WITHOUT OUR WRITTEN CONSENT.



NOTES:

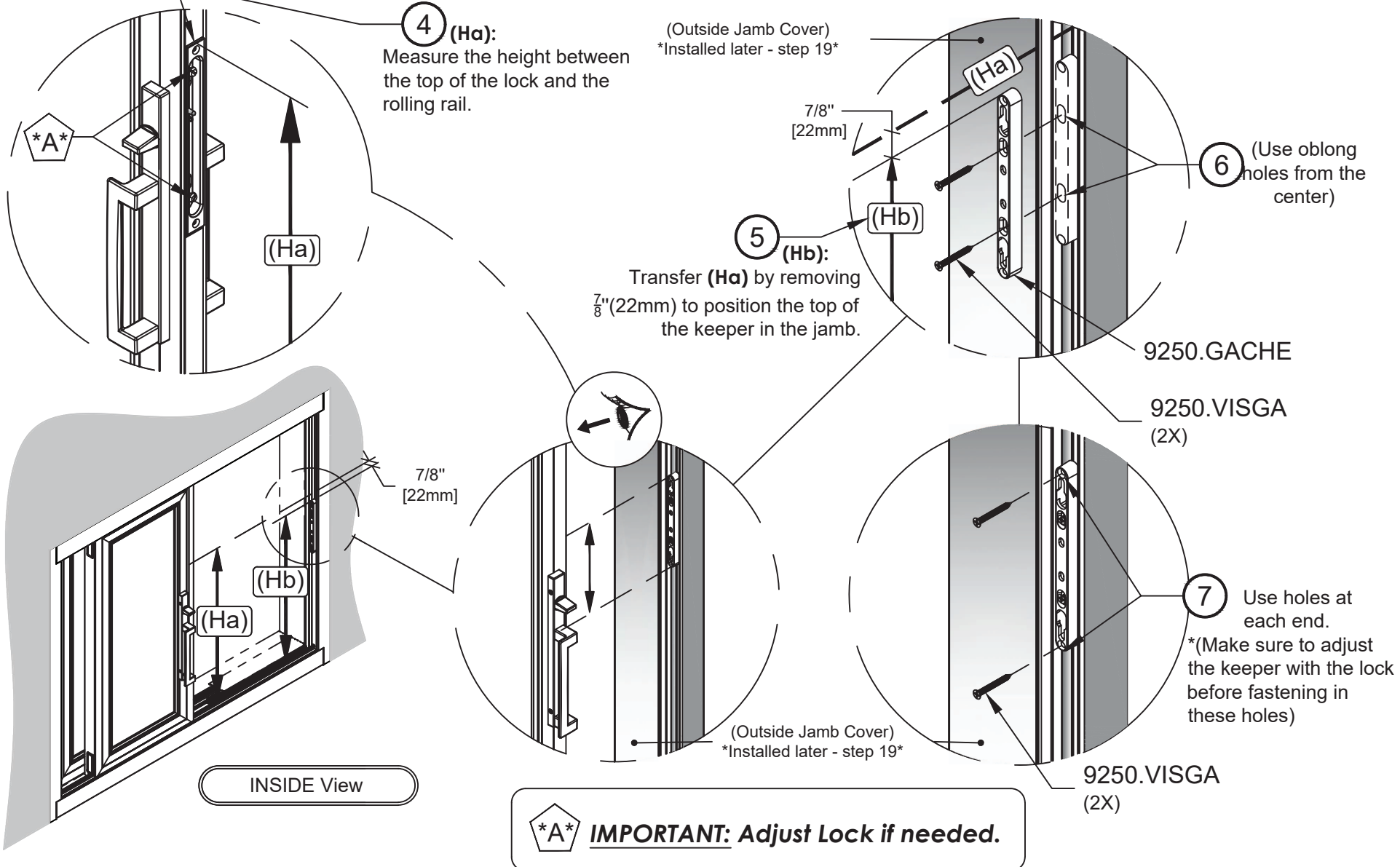
1. UNLESS OTHERWISE SPECIFIED ALL DIMENSIONS ARE GIVEN IN INCHES. TOLERANCES ARE: DECIMALS ± .005, ANGLES ± 1/2°, FRACTIONS ± 1/64".



DCN - 0DF4F8	CREATOR - MONG	SHEET NO. - 61 OF 72	REPLACES -
REV - 0	PCR - V1042	DATE - 10/17/23	REV. BY - MONG / BLUME
COMMENTS - INITIAL DRAWING CREATION ADDED INSTALLATION INSTRUCTION PART # MAY 2026		XXO MULTI TRACK PATIO DOOR - INSTALLATION OF HANDLE, LOCK & KEEPER - ASSEMBLY PART # 1300005608	
		PRODUCT - FORGENT COMPLEMENTARY MULTI-SLIDE DOOR VINYL STYLE	

NOTES:

1. UNLESS OTHERWISE SPECIFIED ALL DIMENSIONS ARE GIVEN IN INCHES. TOLERANCES ARE: DECIMALS ± .005, ANGLES ± 1/2°, FRACTIONS ± 1/64".



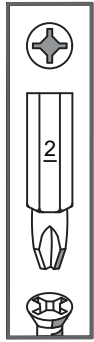
INSIDE View

DCN - 120CD1	CREATOR - MONG	SHEET NO. - 62 OF 72	REPLACES -
REV - 0	PCR - V1042	DATE - 10/17/23	REV. BY - MONG / BLUME
COMMENTS - INITIAL DRAWING CREATION ADDED INSTALLATION INSTRUCTION PART # MAY 2026		XXO MULTI TRACK PATIO DOOR - INSTALLATION OF HANDLE, LOCK & KEEPER - ASSEMBLY PART # 1300005608	
		PRODUCT- FORGENT COMPLEMENTARY MULTI-SLIDE DOOR VINYL STYLE	

NOTES:

1. UNLESS OTHERWISE SPECIFIED ALL DIMENSIONS ARE GIVEN IN INCHES. TOLERANCES ARE: DECIMALS ± .005, ANGLES ± 1/2°, FRACTIONS ± 1/64".

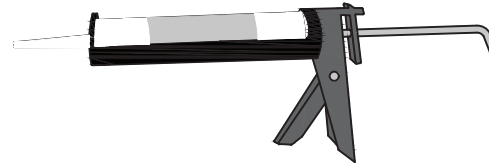
Tools and components required for this step



Screwdriver Bit
(1X)



Impact
(1X)

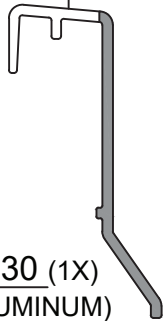
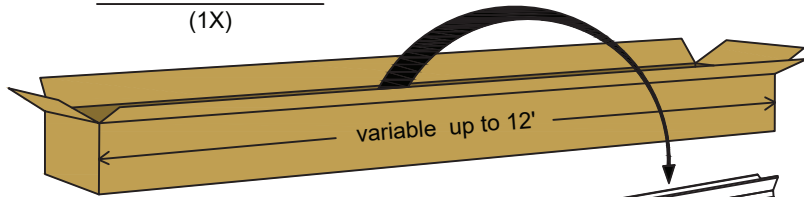


Compatible Sealant
(min.1X)

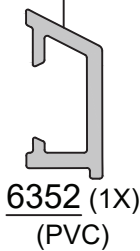
! (EXIT)

If painted door (OUT=Outside), rather use parts from the red bag in Sill box.

Except: See color list P3-P4



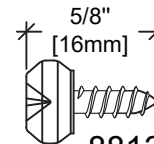
9730 (1X)
(ALUMINUM)



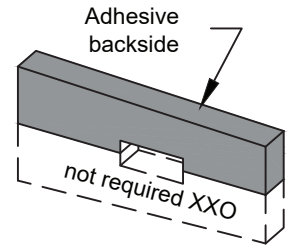
6352 (1X)
(PVC)



08375.**.SACn3.3V : FINISHED Hardware bag ******



8813.VIS10
(4X)



8377.GAPSF
(1X)



8395.CAPVS.G
(1X) not required XXO



8395.CAPVS.D
(1X)

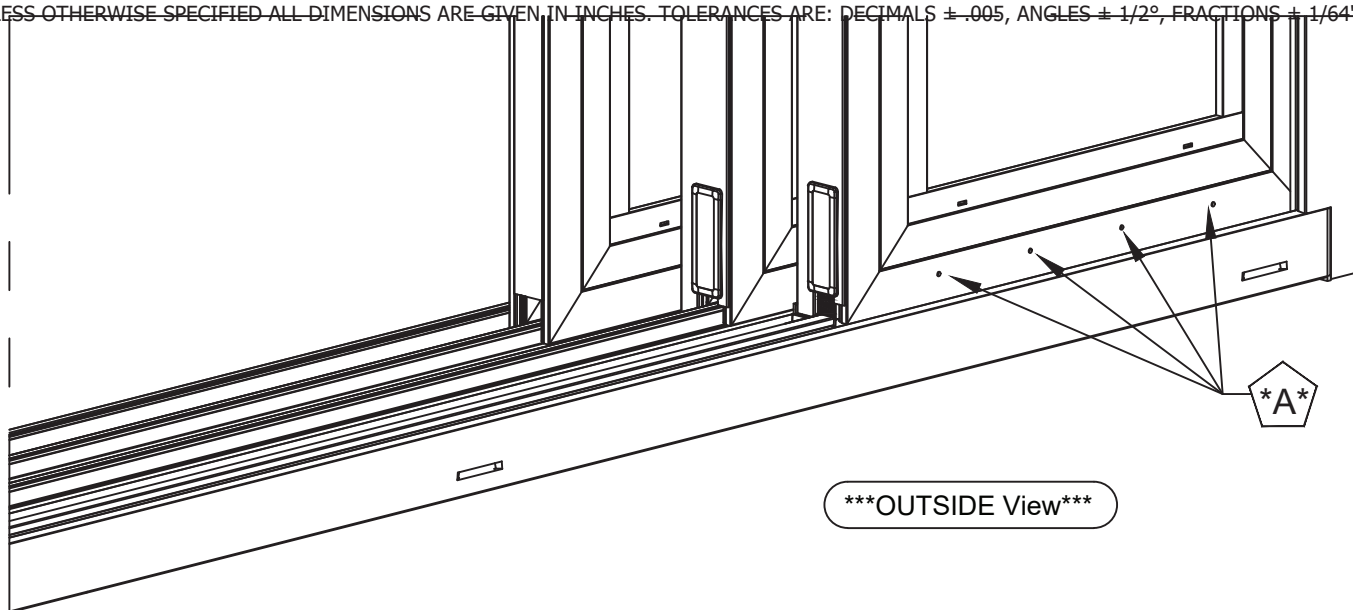
DCN - 35B9AC	CREATOR - MONG	SHEET NO. - 63 OF 72	REPLACES -
REV - 0	PCR - V1042	DATE - 10/17/23	REV. BY - MONG / BLUME
COMMENTS - INITIAL DRAWING CREATION ADDED INSTALLATION INSTRUCTION PART # MAY 2026		XXO MULTI TRACK PATIO DOOR - INSTALLATION OF DRIP CAP - ASSEMBLY PART # 1300005608	
		PRODUCT- FORGENT COMPLEMENTARY MULTI-SLIDE DOOR VINYL STYLE	

THIS DRAWING IS THE PROPERTY OF KOLBE & KOLBE MILLWORK CO., INC. THE INFORMATION THEREON IS TO BE TREATED AS CONFIDENTIAL. ALL TRADE SECRETS ARE ENTITLED TO ALL THE PROTECTIONS AND BENEFITS UNDER APPLICABLE LAW. THIS DRAWING IS NOT TO BE USED, COPIED, OR DISCLOSED TO OUTSIDE PARTIES WITHOUT OUR WRITTEN CONSENT.



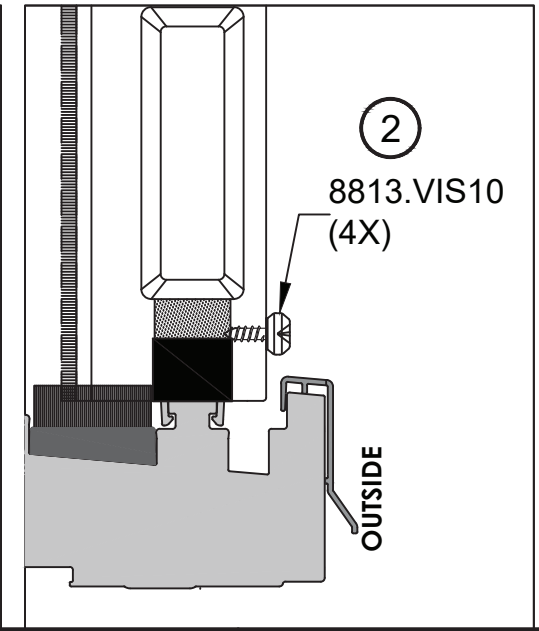
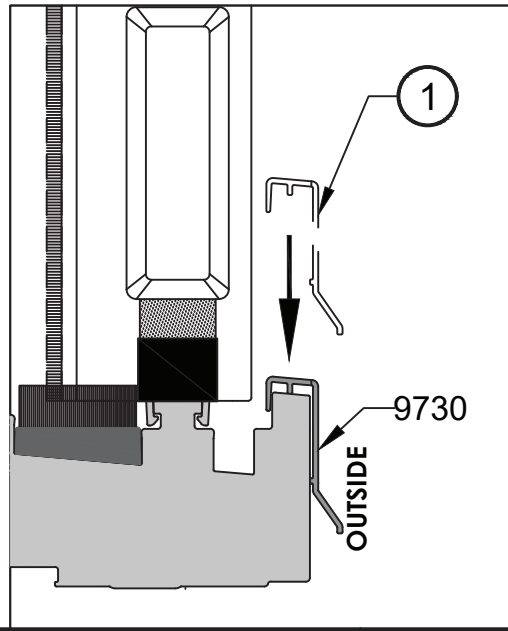
NOTES:

1. UNLESS OTHERWISE SPECIFIED ALL DIMENSIONS ARE GIVEN IN INCHES. TOLERANCES ARE: DECIMALS ± .005, ANGLES ± 1/2°, FRACTIONS ± 1/64"



OUTSIDE View

IMPORTANT:
Install a screw in each hole
after installing the 9730.



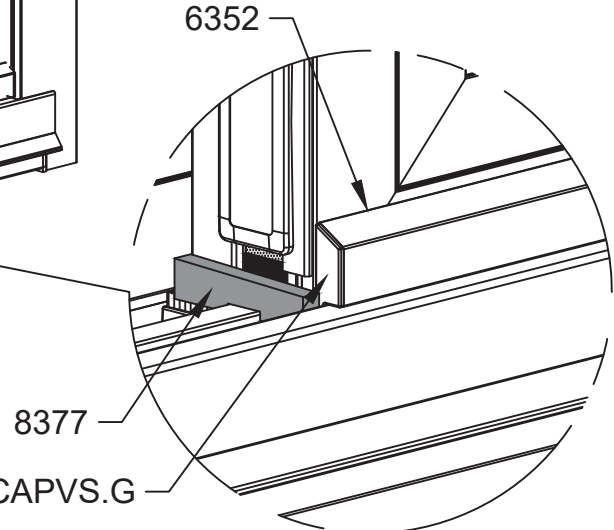
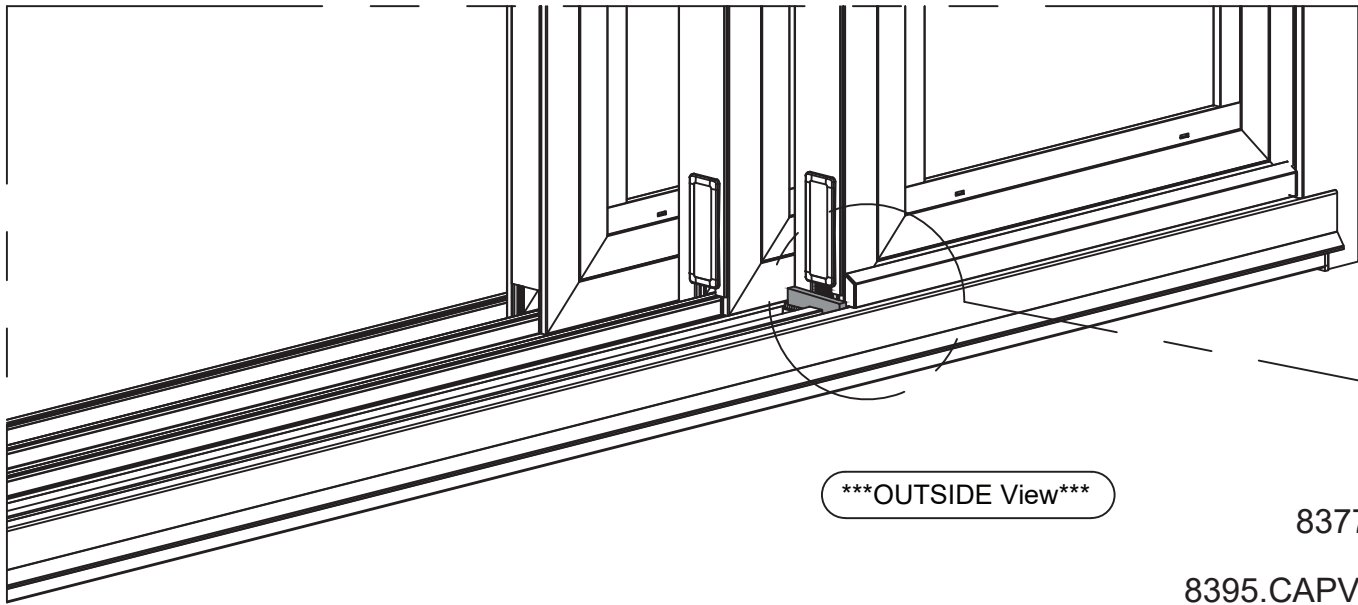
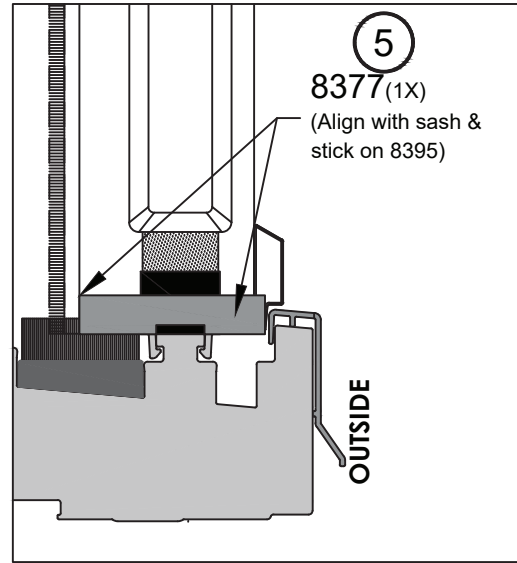
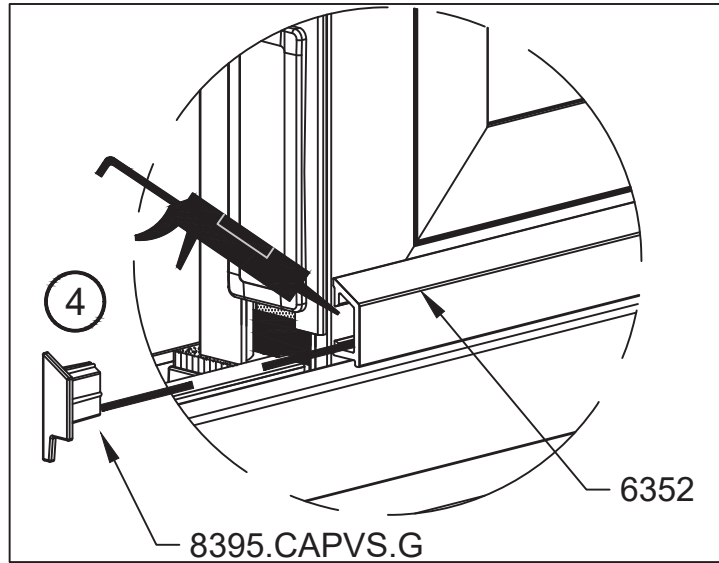
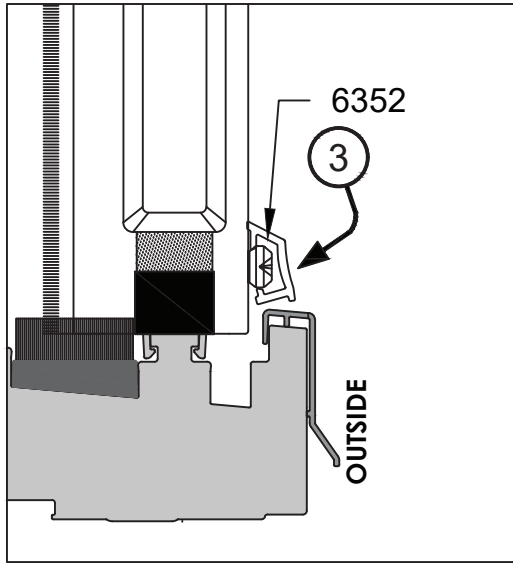
DCN - 7076DC	CREATOR - MONG	SHEET NO. - 64 OF 72	REPLACES -
REV - 0	PCR - V1042	DATE - 10/17/23	REV. BY - MONG / BLUME
COMMENTS - INITIAL DRAWING CREATION ADDED INSTALLATION INSTRUCTION PART # MAY 2026		XXO MULTI TRACK PATIO DOOR - INSTALLATION OF DRIP CAP - ASSEMBLY PART # 1300005608	
		PRODUCT - FORGENT COMPLEMENTARY MULTI-SLIDE DOOR VINYL STYLE	

THIS DRAWING IS THE PROPERTY OF KOLBE & KOLBE MILLWORK CO., INC. THE INFORMATION THEREON IS TO BE TREATED AS CONFIDENTIAL. ALL TRADE SECRETS ARE ENTITLED TO ALL THE PROTECTIONS AND BENEFITS UNDER APPLICABLE LAW. THIS DRAWING IS NOT TO BE USED, COPIED, OR DISCLOSED TO OUTSIDE PARTIES WITHOUT OUR WRITTEN CONSENT.



NOTES:

1. UNLESS OTHERWISE SPECIFIED ALL DIMENSIONS ARE GIVEN IN INCHES. TOLERANCES ARE: DECIMALS ± .005, ANGLES ± 1/2°, FRACTIONS ± 1/64".

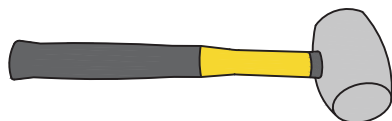


DCN - 7B0FBA	CREATOR - MONG	SHEET NO. - 65 OF 72	REPLACES -
REV - 0	PCR - V1042	DATE - 10/17/23	REV. BY - MONG / BLUME
COMMENTS - INITIAL DRAWING CREATION ADDED INSTALLATION INSTRUCTION PART # MAY 2026		XXO MULTI TRACK PATIO DOOR - INSTALLATION OF DRIP CAP - ASSEMBLY PART # 130005608	
		PRODUCT - FORGENT COMPLEMENTARY MULTI-SLIDE DOOR VINYL STYLE	

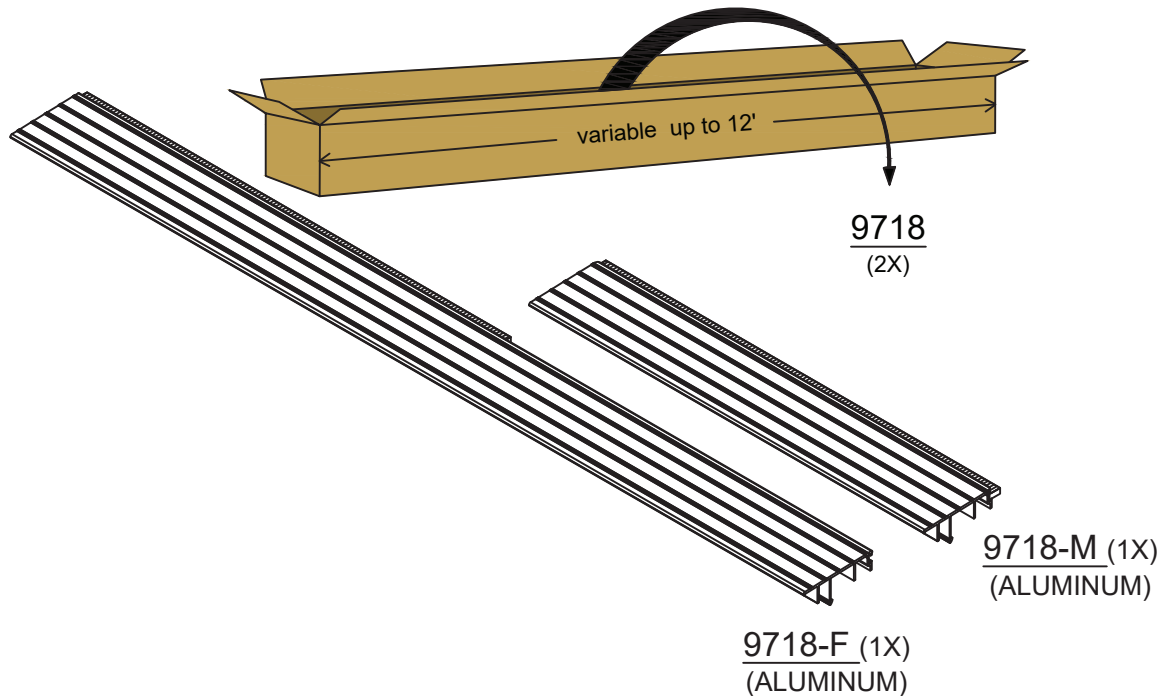
NOTES:

1. UNLESS OTHERWISE SPECIFIED ALL DIMENSIONS ARE GIVEN IN INCHES. TOLERANCES ARE: DECIMALS ± .005, ANGLES ± 1/2°, FRACTIONS ± 1/64".

Tools and components required for this step



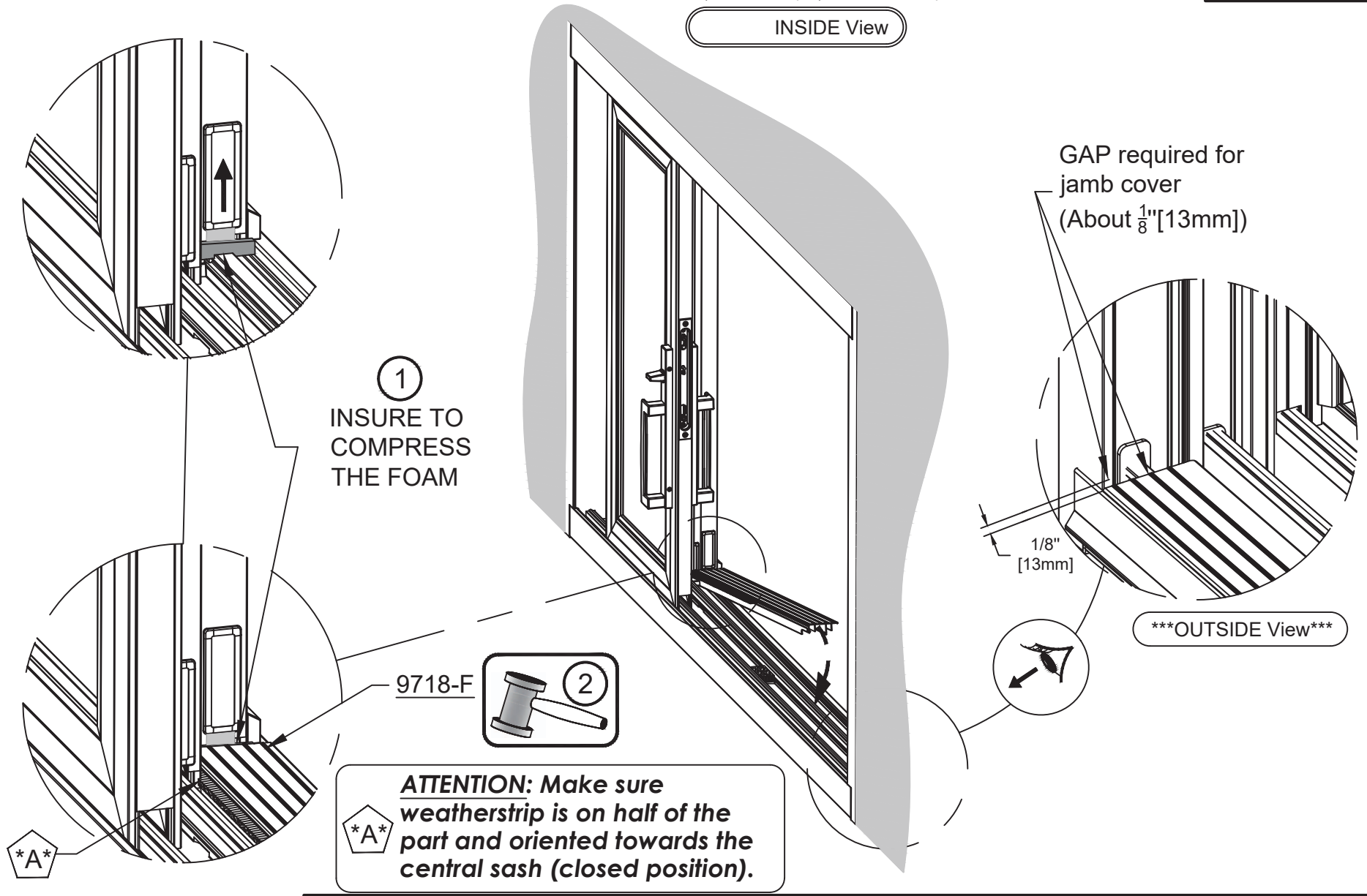
Rubber Mallet
(1X)



DCN - 7FCCE7	CREATOR - MONG	SHEET NO. - 66 OF 72	REPLACES -
REV - 0	PCR - V1042	DATE - 10/17/23	REV. BY - MONG / BLUME
COMMENTS - INITIAL DRAWING CREATION ADDED INSTALLATION INSTRUCTION PART # MAY 2026		XXO MULTI TRACK PATIO DOOR - INSTALLATION OF SILL COVERS - ASSEMBLY PART # 1300005608	
		PRODUCT - FORGENT COMPLEMENTARY MULTI-SLIDE DOOR VINYL STYLE	

NOTES:

1. UNLESS OTHERWISE SPECIFIED ALL DIMENSIONS ARE GIVEN IN INCHES. TOLERANCES ARE: DECIMALS ± .005, ANGLES ± 1/2°, FRACTIONS ± 1/64".

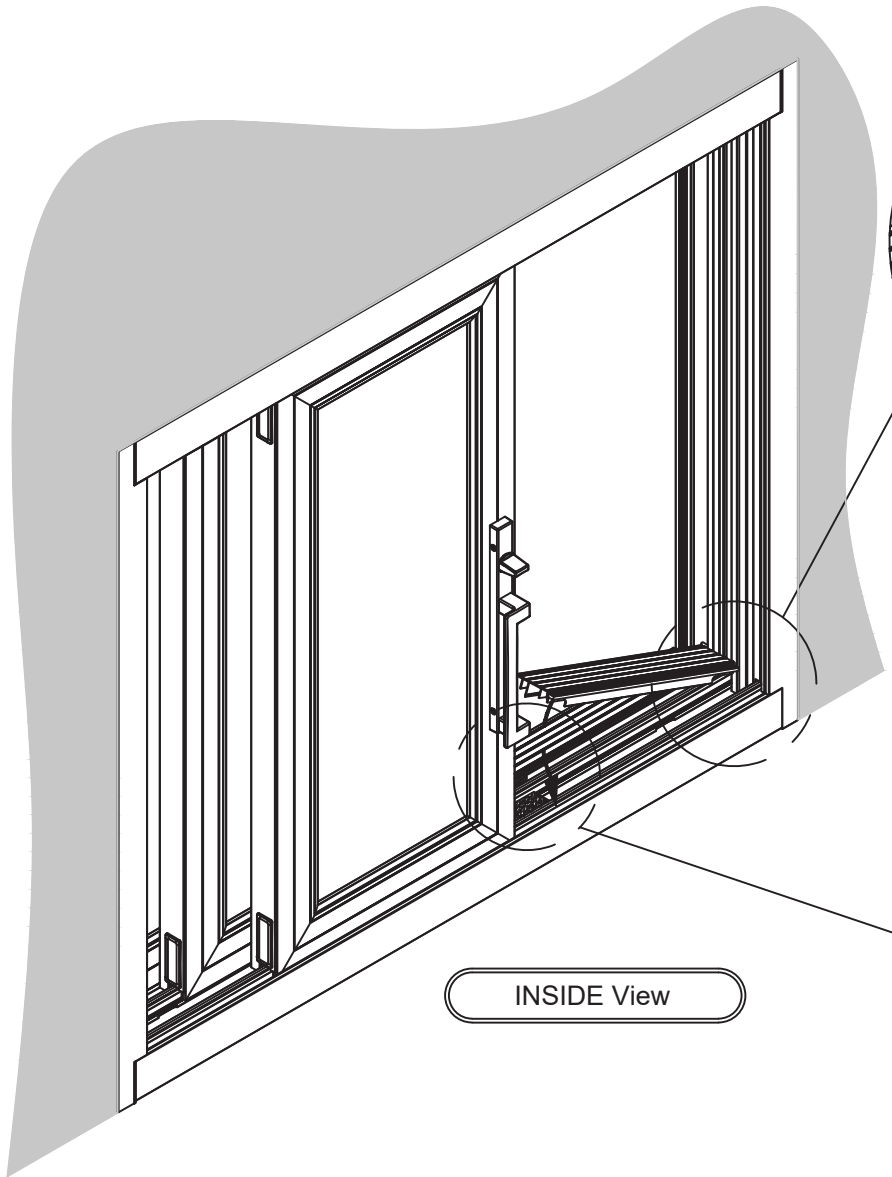


ATTENTION: Make sure weatherstrip is on half of the part and oriented towards the central sash (closed position).

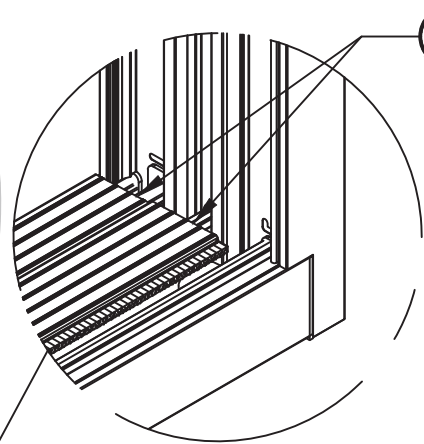
DCN - 737EC4	CREATOR - MONG	SHEET NO. - 67 OF 72	REPLACES -
REV - 0	PCR - V1042	DATE - 10/17/23	REV. BY - MONG / BLUME
COMMENTS - INITIAL DRAWING CREATION ADDED INSTALLATION INSTRUCTION PART # MAY 2026		XXO MULTI TRACK PATIO DOOR - INSTALLATION OF SILL COVERS - ASSEMBLY PART # 1300005608	
		PRODUCT - FORGENT COMPLEMENTARY MULTI-SLIDE DOOR VINYL STYLE	

NOTES:

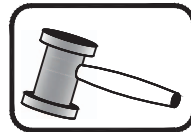
1. UNLESS OTHERWISE SPECIFIED ALL DIMENSIONS ARE GIVEN IN INCHES. TOLERANCES ARE: DECIMALS ± .005, ANGLES ± 1/2°, FRACTIONS ± 1/64".



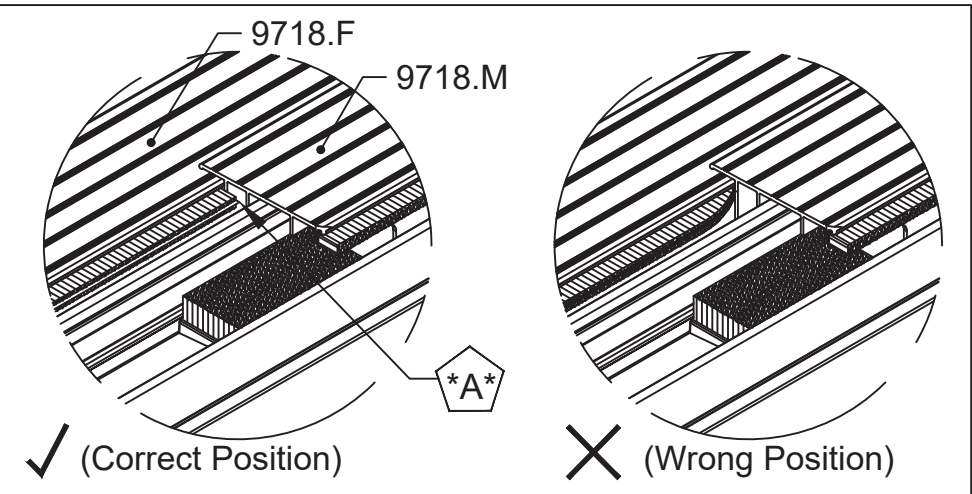
INSIDE View



3 9718-M
(Align with previous part)



ATTENTION:
A Verify that the fabric fin of the long part (9718-F) is not stuck behind the small part (9718-M).



✓ (Correct Position)

✗ (Wrong Position)

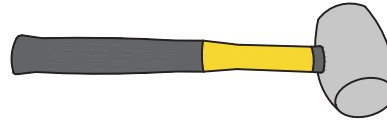
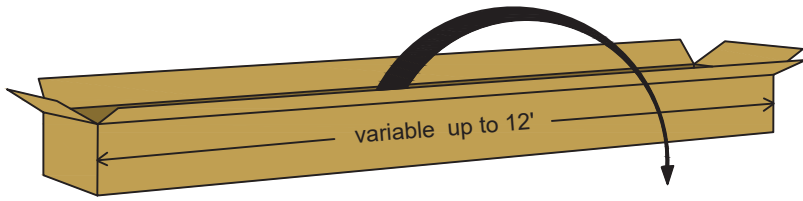
DCN - 72C9BC	CREATOR - MONG	SHEET NO. - 68 OF 72	REPLACES -
REV - 0	PCR - V1042	DATE - 10/17/23	REV. BY - MONG / BLUME
COMMENTS - INITIAL DRAWING CREATION ADDED INSTALLATION INSTRUCTION PART # MAY 2026		XXO MULTI TRACK PATIO DOOR - INSTALLATION OF SILL COVERS - ASSEMBLY PART # 130005608	
		PRODUCT - FORGENT COMPLEMENTARY MULTI-SLIDE DOOR VINYL STYLE	

THIS DRAWING IS THE PROPERTY OF KOLBE & KOLBE MILLWORK CO., INC. THE INFORMATION THEREON IS TO BE TREATED AS CONFIDENTIAL. ALL TRADE SECRETS ARE ENTITLED TO ALL THE PROTECTIONS AND BENEFITS UNDER APPLICABLE LAW. THIS DRAWING IS NOT TO BE USED, COPIED, OR DISCLOSED TO OUTSIDE PARTIES WITHOUT OUR WRITTEN CONSENT.



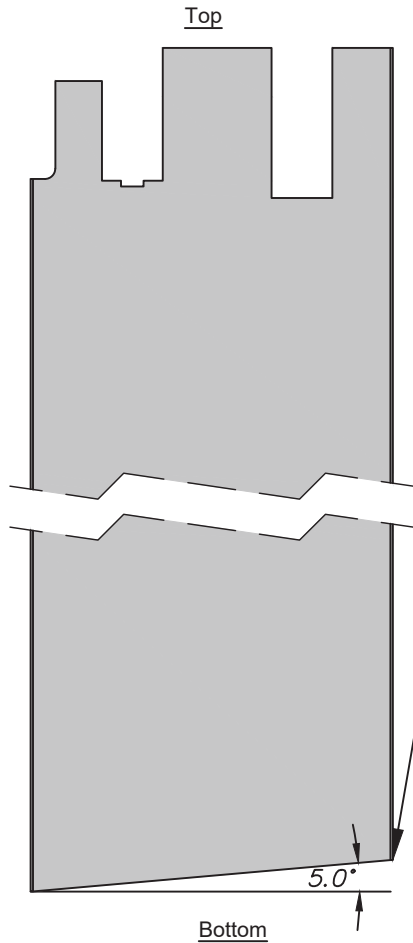
NOTES:

1. UNLESS OTHERWISE SPECIFIED ALL DIMENSIONS ARE GIVEN IN INCHES. TOLERANCES ARE: DECIMALS ± .005, ANGLES ± 1/2°, FRACTIONS ± 1/64".



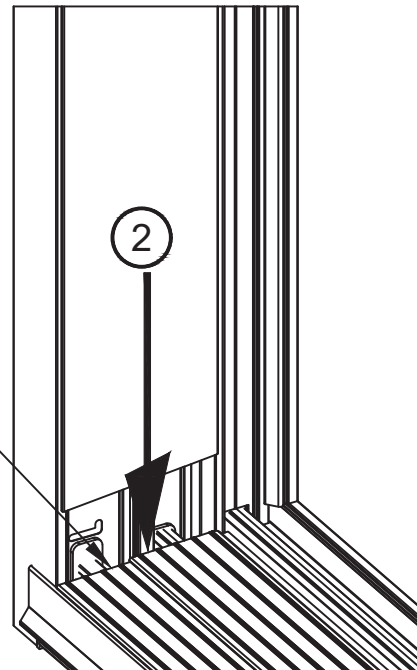
Rubber Mallet
(1X)

1

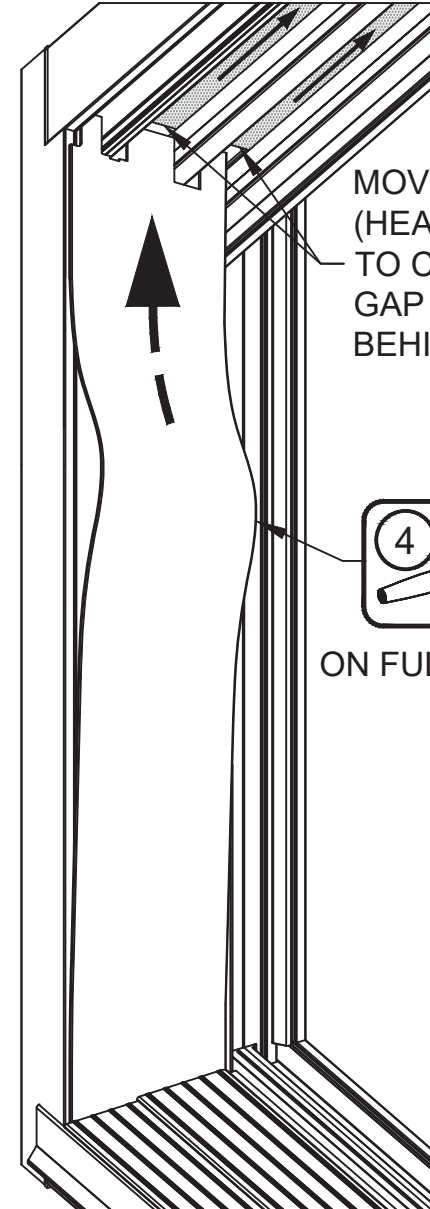


8313.(GE)

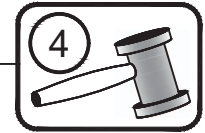
OUTSIDE View



INSERT BEHIND
ALUMINUM SILL
PROTECTOR



3
MOVE 5832
(HEAD COVER)
TO CREATE A
GAP & INSERT
BEHIND

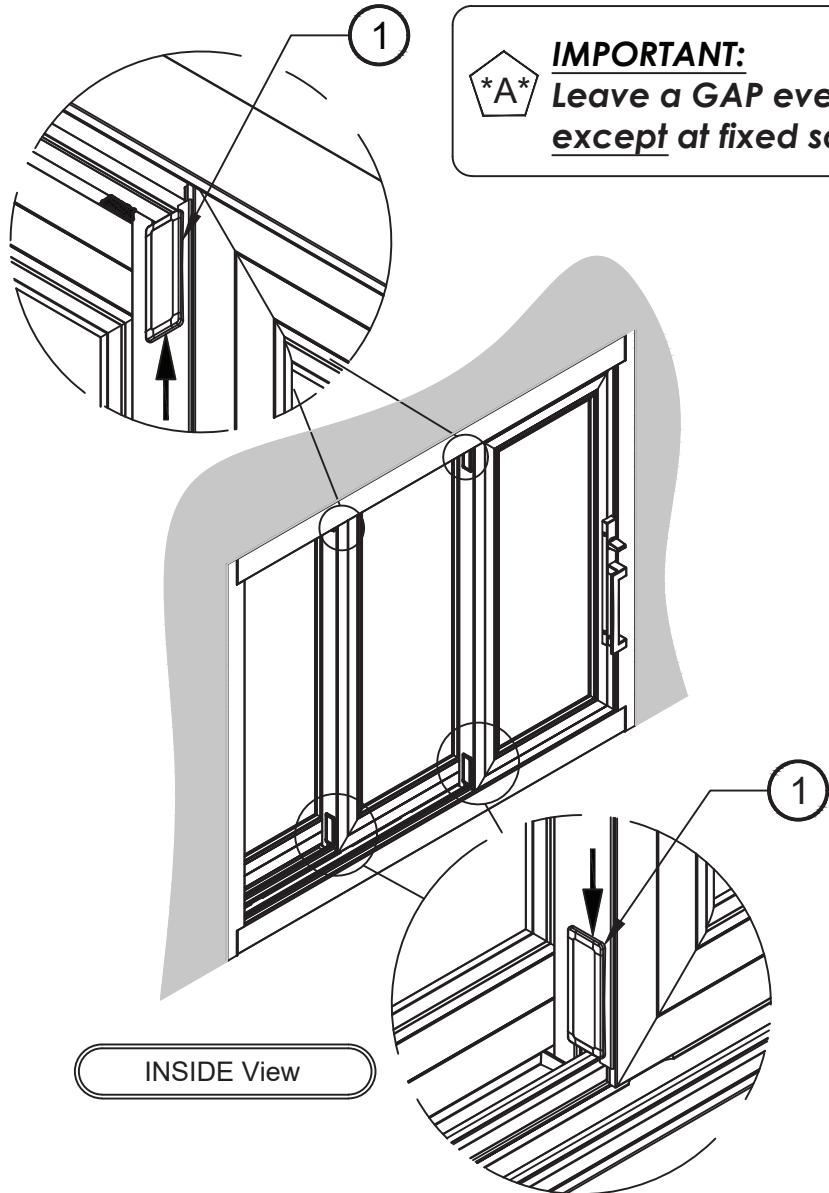


4
ON FULL-LENGTH

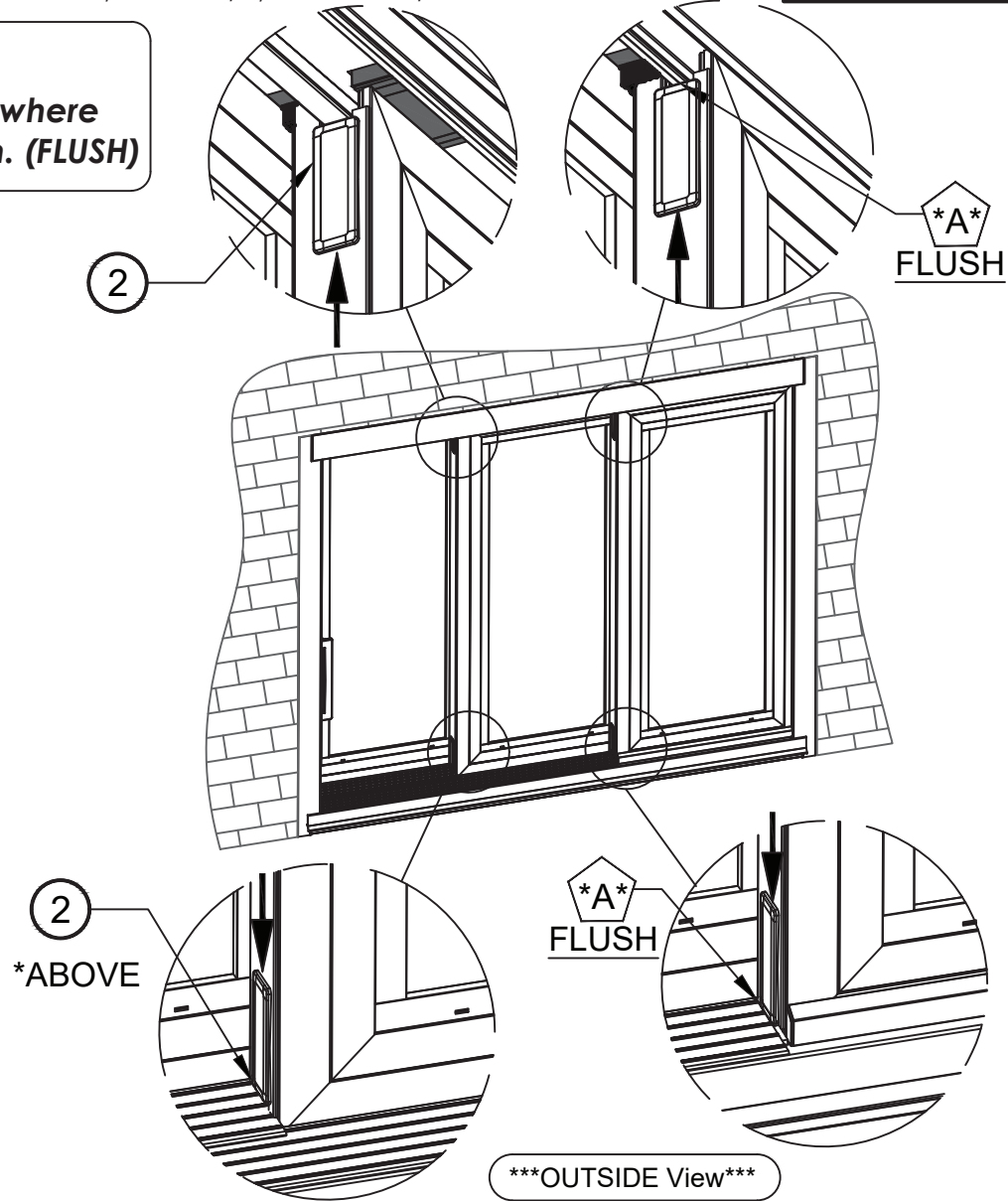
DCN - 6BD3F5	CREATOR - MONG	SHEET NO. - 69 OF 72	REPLACES -
REV - 0	PCR - V1042	DATE - 10/17/23	REV. BY - MONG / BLUME
COMMENTS - INITIAL DRAWING CREATION ADDED INSTALLATION INSTRUCTION PART # MAY 2026			XXO MULTI TRACK PATIO DOOR - INSTALLATION OF JAMB COVERS (OUTSIDE) - ASSEMBLY PART # 1300005608
			PRODUCT - FORGENT COMPLEMENTARY MULTI-SLIDE DOOR VINYL STYLE

NOTES:

1. UNLESS OTHERWISE SPECIFIED ALL DIMENSIONS ARE GIVEN IN INCHES. TOLERANCES ARE: DECIMALS ± .005, ANGLES ± 1/2°, FRACTIONS ± 1/64".



IMPORTANT:
 A Leave a GAP every where except at fixed sash. (FLUSH)

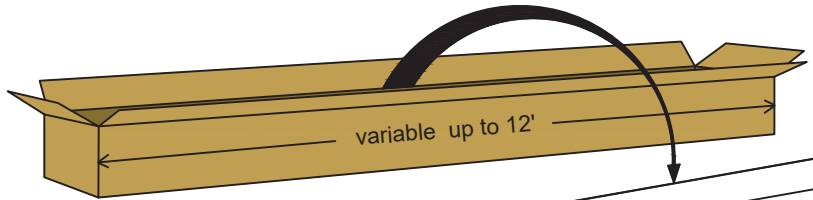
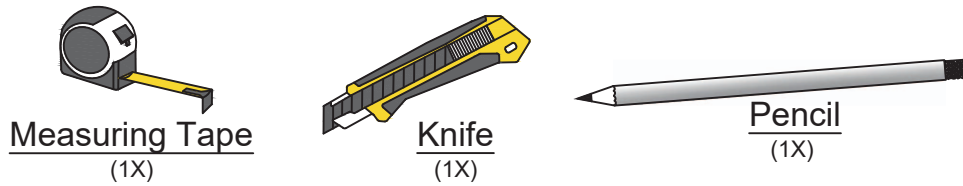


DCN - 17C6D1	CREATOR - MONG	SHEET NO. - 70 OF 72	REPLACES -
REV - 0	PCR - V1042	DATE - 10/17/23	REV. BY - MONG / BLUME
COMMENTS - INITIAL DRAWING CREATION ADDED INSTALLATION INSTRUCTION PART # MAY 2026		XXO MULTI TRACK PATIO DOOR - FINAL ADJUSTMENT - ASSEMBLY PART # 1300005608	
		PRODUCT- FORGENT COMPLEMENTARY MULTI-SLIDE DOOR VINYL STYLE	

NOTES:

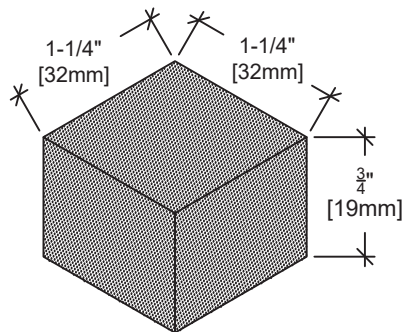
1. UNLESS OTHERWISE SPECIFIED ALL DIMENSIONS ARE GIVEN IN INCHES. TOLERANCES ARE: DECIMALS ± .005, ANGLES ± 1/2°, FRACTIONS ± 1/64".

IMPORTANT: ONLY NECESSARY IF DOOR IS WITH SCREEN.



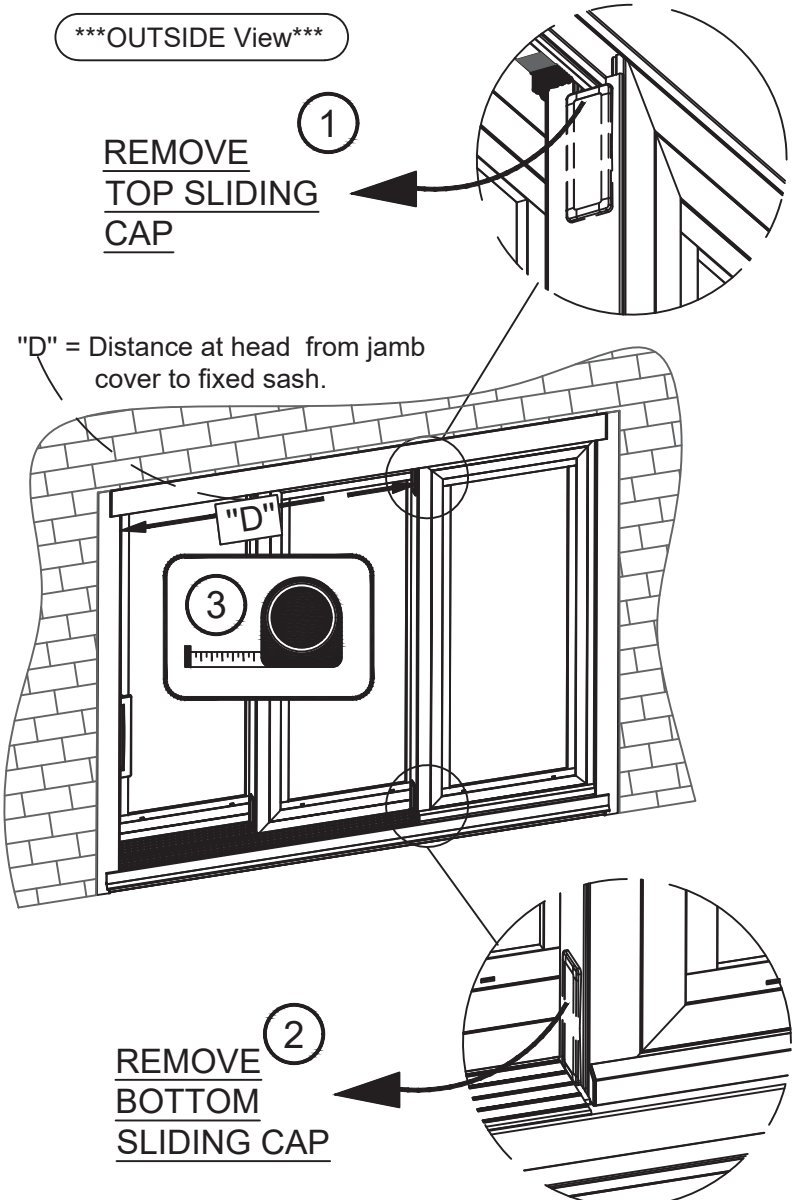
****1489****
****OPTION** - Screen Head Track Support (1X) PVC**

09750.00.SACRS.3V: SCREEN Hardware Bag



9873
(3X)

OUTSIDE View



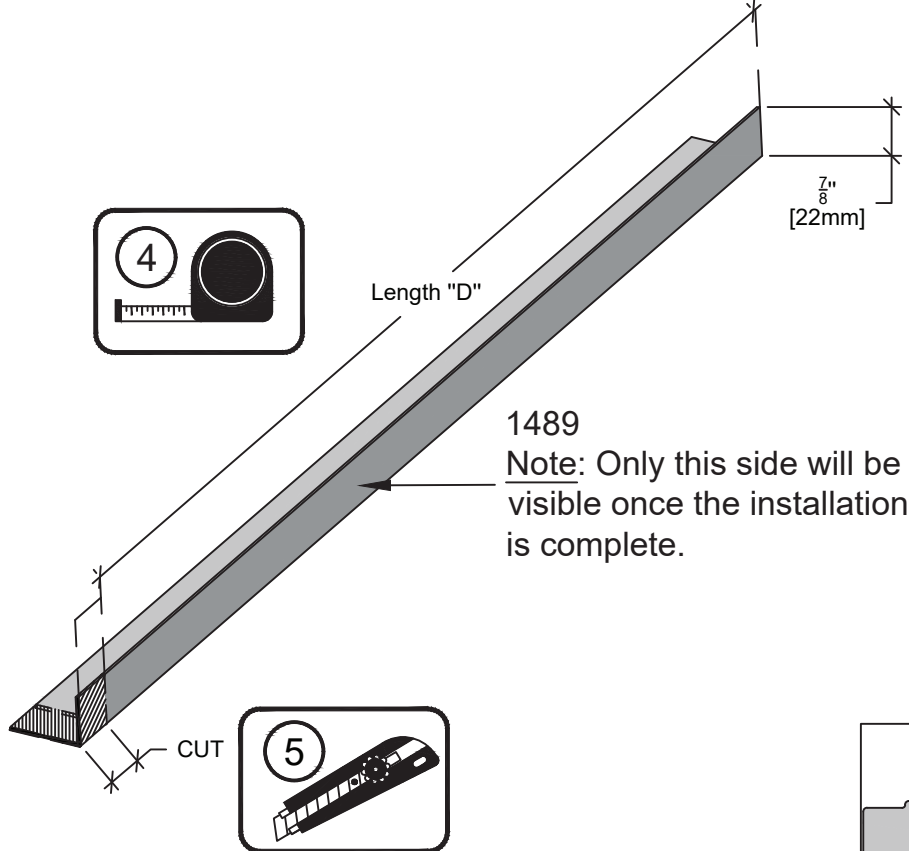
DCN - 7D8BE5	CREATOR - MONG	SHEET NO. - 71 OF 72	REPLACES -
REV - 0	PCR - V1042	DATE - 10/17/23	REV. BY - MONG / BLUME
COMMENTS - INITIAL DRAWING CREATION ADDED INSTALLATION INSTRUCTION PART # MAY 2026		XXO MULTI TRACK PATIO DOOR - **OPTION** - PREPARATION FOR RETRACTABLE SCREEN INSTALLATION - ASSEMBLY PART # 1300005608	
		PRODUCT- FORGENT COMPLEMENTARY MULTI-SLIDE DOOR VINYL STYLE	

THIS DRAWING IS THE PROPERTY OF KOLBE & KOLBE MILLWORK CO., INC. THE INFORMATION THEREON IS TO BE TREATED AS CONFIDENTIAL. ALL TRADE SECRETS ARE ENTITLED TO ALL THE PROTECTIONS AND BENEFITS UNDER APPLICABLE LAW. THIS DRAWING IS NOT TO BE USED, COPIED, OR DISCLOSED TO OUTSIDE PARTIES WITHOUT OUR WRITTEN CONSENT.

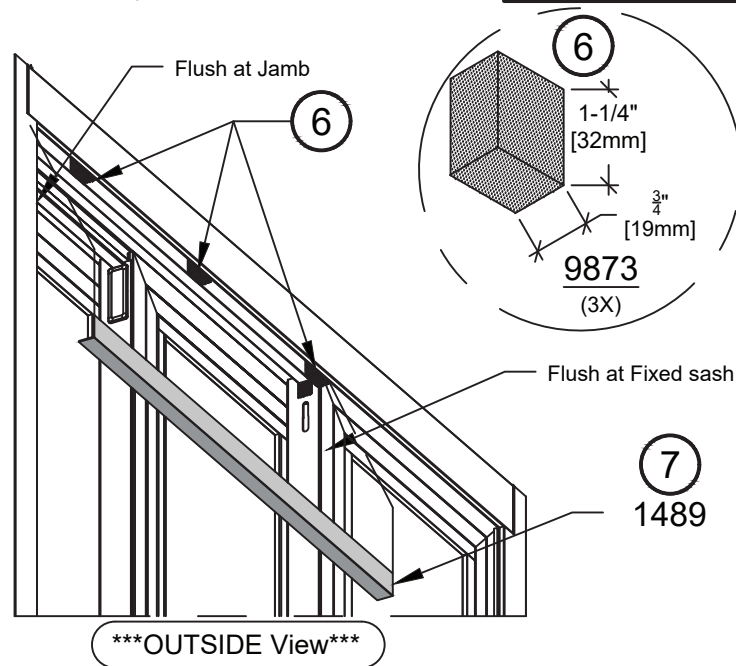


NOTES:

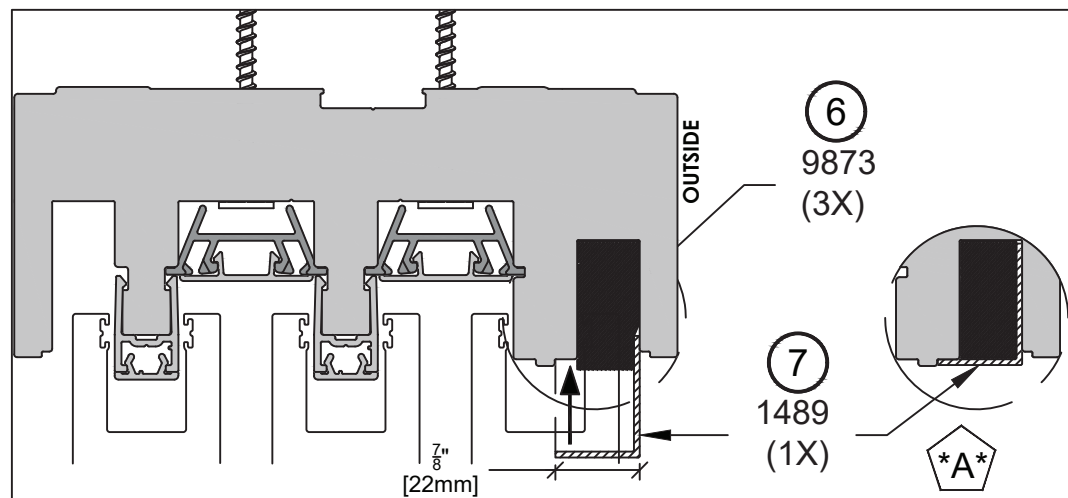
1. UNLESS OTHERWISE SPECIFIED ALL DIMENSIONS ARE GIVEN IN INCHES. TOLERANCES ARE: DECIMALS ± .005, ANGLES ± 1/2°, FRACTIONS ± 1/64".



1489
 Note: Only this side will be visible once the installation is complete.



A
 Be sure to continue installing the screen, as the 1489 could fall if not held by the screen head track
 (See supplement 9950.00.GI.8300.3V.RS)



DCN - 01DB17	CREATOR - MONG	SHEET NO. - 72 OF 72	REPLACES -
REV - 0	PCR - V1042	DATE - 10/17/23	REV. BY - MONG / BLUME
COMMENTS - INITIAL DRAWING CREATION ADDED INSTALLATION INSTRUCTION PART # MAY 2026		XXO MULTI TRACK PATIO DOOR - **OPTION** - PREPARATION FOR RETRACTABLE SCREEN INSTALLATION - ASSEMBLY PART # 13005608	
		PRODUCT - FORGENT COMPLEMENTARY MULTI-SLIDE DOOR VINYL STYLE	