

KOLBE
WINDOWS & DOORS

FORGENT® SERIES





FORGENT® SERIES

Kolbe's dedication to innovation, quality and product design has led to the Forgent® Series. This high-performance product line features proprietary material and thoughtful design, making it simple, convenient and easy to install. Short lead times for projects requiring windows quickly make the Forgent Series a perfect choice for new construction or replacement.

THE FORGENT SERIES PROVIDES:

- Strong and resilient Glastra® exterior with Glastra or wood interior
- Advanced ladder design with multiple chambers for strength and energy efficiency
- Three convenient installation methods: integral nailing fin, installation clips, and screw through frame
- Welded sash and frame to prevent air and water infiltration
- Impact certified units, up to IPD4, are available in all Forgent Series product types

MATERIAL

Forgent Series windows are comprised of Glastra®, a proprietary hybrid of fiberglass and UV stable polymer, formulated for strength and resilience. Windows are engineered with Glastra on the exterior, and Glastra or wood on the interior.



GLASTRA is an innovative, recyclable material that helps form the resilient foundation of Forgent Series products. Manufacturing byproducts are repurposed for use in other industries. ♻️



PRODUCTS

All Glastra or Glastra/Wood windows

- ▶ Casements
- ▶ Awnings
- ▶ Double hungs
- ▶ Sliding windows
- ▶ Direct sets (including radius and geometric specialty windows)

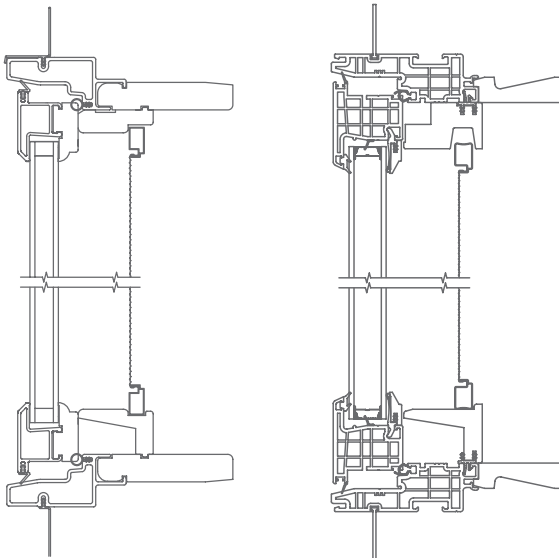
COMPLEMENTARY

Select doors designed to complement Forgent Series products

- ▶ Inswing doors
- ▶ Outswing doors
- ▶ Sliding patio doors

CONSTRUCTION

Forgent Series windows are constructed of multi-chambered Glastra extrusions. This advanced ladder design offers numerous benefits – the chambers add strength and promote energy efficiency.



**TYPICAL FIBERGLASS
CONSTRUCTION**

**FORGENT
CONSTRUCTION**

OPTIONS

GLASS

- ▶ Double pane; Insulated glass
- ▶ Triple pane; Insulated glass
- ▶ Various Low-E coatings
- ▶ Specialty glass

DIVIDED LITES

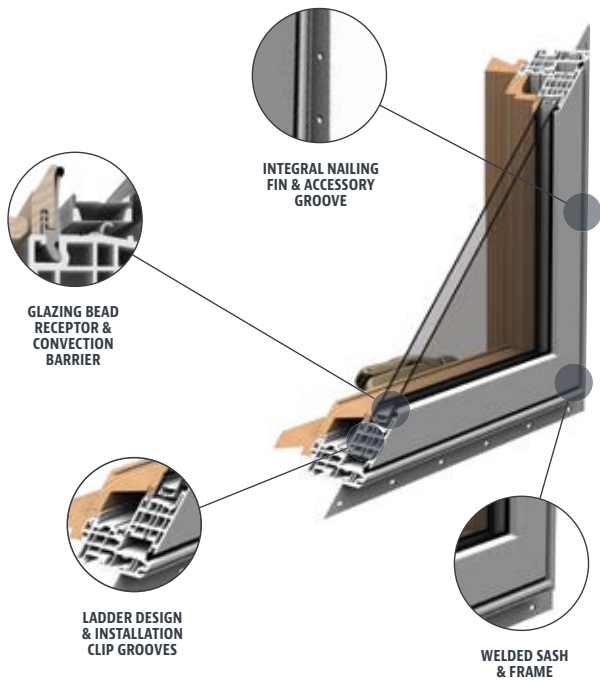
- ▶ Performance divided lites
- ▶ Grilles-in-the-airspace

HARDWARE FINISHES

- ▶ Clay
- ▶ White
- ▶ Satin Nickel
- ▶ Matte Black

EXTERIOR ACCESSORIES

- ▶ Casings
- ▶ Brickmoulds
- ▶ Frame expanders
- ▶ J-Channels
- ▶ Sill nosings



STRENGTH

Ladder design: Carefully designed chambers eliminate additional reinforcements

Integral nailing fin: More rigid than an accessory fin

Glastra®: Fiberglass-infused material formulated for strength and resilience

Welded sash & frame: Fused joint keeps unit square

PERFORMANCE

Convection barrier: Innovative partition creates additional chambers for improved energy performance

Ladder design: Chambers improve energy efficiency

Welded sash & frame: Fused intersections prevent air and water from entering the joint

EASE-OF-INSTALLATION

Integral nailing fin: Designed for fewer sealing points; can be the primary installation method

Dry glazed sash: Serviceable sash and components

Installation clip grooves: Designed for easy placement of clips and faster installation

Accessory groove: Allows for quick installation of exterior accessories without additional clips

Glazing bead receptor: Engineered to help create a clean break-point during painting and staining

FINISHES

Forgent Series offers several exterior and interior finishes to coordinate with hardware selection, trim and décor.

EXTERIOR OPTIONS



INTERIOR OPTIONS - ALL GLASTRA UNITS



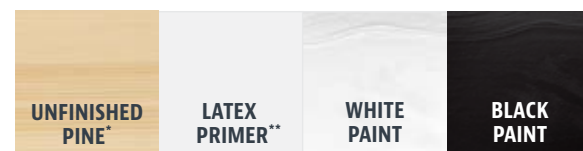
The Cloud and Sahara colors are integral to the Glastra material.

† Only available on products with Midnight exteriors.

†† Only available on products with Bronze exteriors.

Ask your Kolbe dealer for details.

INTERIOR OPTIONS - GLASTRA/WOOD UNITS



* All units supplied with unfinished pine interiors must be finished in the field.

**Latex primer is not a final finish.

Printed images of wood species and stain options will vary from actual product colors. Selections should be made based on color samples available from your Kolbe dealer. Stain colors are shown on Pine. Since no two trees are identical, wood can be expected to differ both in color and graining. These factors will influence the stain's final color.

Color-matched interior paint is available through any Sherwin-Williams retail store in the United States and Canada.



KOLBE

WINDOWS & DOORS
We're for the visionaries.®

1323 S. 11th Avenue | Wausau, WI 54401-5998
715.842.5666

www.kolbewindows.com

© 2020 Kolbe & Kolbe Millwork Co., Inc. Kolbe & Kolbe Millwork Co., Inc. reserves the right to change specifications without notice. The photography featured herein does not necessarily imply an endorsement of Kolbe products by the property owners. Photography used may not represent current Kolbe product features and options. Front cover photo © Spacecrafting Photography | Builder: Denali Custom Homes | Interior Design: Redstone Interiors